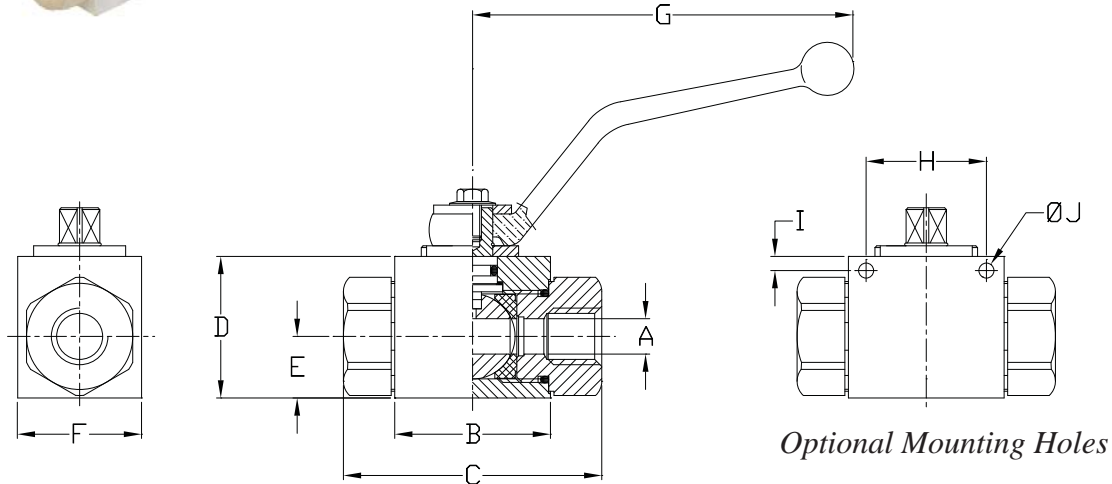


AE2 Series / Two-Way Block Body Threaded



- Carbon steel construction with Silver Trivalent plating
- 316 stainless steel available from stock
- Unrestricted bore up to 1" size
- POM seats & Buna O-rings standard on carbon steel valves
- Optional seal materials available for extreme temperature applications & fluid compatibility (Consult Factory)



Optional Mounting Holes

Standard handles supplied are:
Refer to page 47 for details.

1/8" - 1/2"
3/4" - 1 1/2"

C1010ZB
C1200ZB

FLOW, NEEDLE & CHECK VALVES

HYDRAULIC BALL VALVES

WELD COUPLINGS

FLANGES

AE2 SERIES FULL BORE

SERIES		PSI MAX	A BORE	B	C	D		E	F		G	H	I	J	WEIGHT
NPT	SAE					CARBON	STAINLESS		CARBON	STAINLESS					
AE2 N1/8	N/A	7250	.16	1.65	2.80	1.38	C/F	.55	1.18	C/F	4.33	C/F	C/F	C/F	1.1 LBS
AE2 N1/4	AE2 S#4	7250	.24	1.65	2.80	1.38	1.38	.55	1.18	1.38	4.33	1.34	.16	.17	1.1 LBS
AE2 N3/8	AE2 S#6	7250	.39	1.73	2.87	1.57	1.57	.67	1.38	1.57	4.33	1.34	.16	.17	1.4 LBS
AE2 N1/2	AE2 S#8	7250	.51	1.89	3.27	1.69	1.77	.71	1.46	1.77	4.33	1.42	.20	.21	1.7 LBS
AE2 N3/4	AE2 S#12	5800	.79	2.44	3.74	2.17	2.17	.91	1.77	2.17	7.09	1.97	.24	.25	3.1 LBS
AE2 N1	AE2 S#16	5075	.98	2.60	4.45	2.56	2.56	1.14	2.17	2.56	7.09	1.97	.24	.25	4.7 LBS

AE2 SERIES REDUCED BORE

SERIES		PSI MAX	A BORE	B	C	D		E	F		G	H	I	J	WEIGHT
NPT	SAE					CARBON	STAINLESS		CARBON	STAINLESS					
AE2 N1-1/4R	AE2 S#20R	5075	.98	2.60	4.76	2.56	2.56	1.14	2.17	2.56	7.09	C/F	C/F	C/F	5.0 LBS
AE2 N1-1/2R	AE2 S#24R	5075	.98	2.60	4.88	2.56	2.56	1.14	2.17	2.56	7.09	C/F	C/F	C/F	5.2 LBS

NPT threads in accordance with ANSI B.1.20.1 specifications.
SAE threads in accordance with SAE J1926/1 specifications.



AE2 Series / Two-Way Block Body Threaded

Model Code Breakdown

AE2 N1/2 _ - 1 1 D B _

Valve Series •

Connection Type/Size •

N	NPT Pipe Thread
S	SAE Straight Thread
B	BSPP Thread

Bore Restriction •

blank	Unrestricted Bore
R	Restricted Bore

Body & Adapter Material •

1	Carbon Steel
2	316 Stainless Steel

Ball & Stem Material •

1	Carbon Steel
2	316 Stainless Steel

• **Locking Kit or Optional Handle Code**
(See pages 42 & 43)

• **Adapter & Stem Seals**

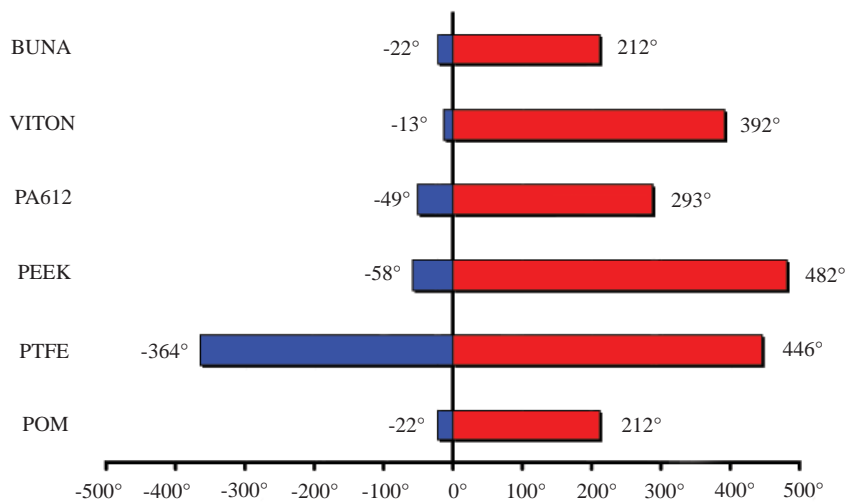
B	Buna- Standard
V	Viton (Std on S/S)

• **Ball & Stem Seats**

D	POM- Standard
P	PEEK
N	PA612
X	PTFE w/metallic insert

- Please consult your system's seal manufacturer for recommendation of seal selection, as Anchor Fluid Power does not accept responsibility for seal selection.

MAXIMUM & MINIMUM WORKING TEMPERATURES FOR SEAL MATERIALS



All temperatures are in degrees Fahrenheit.