

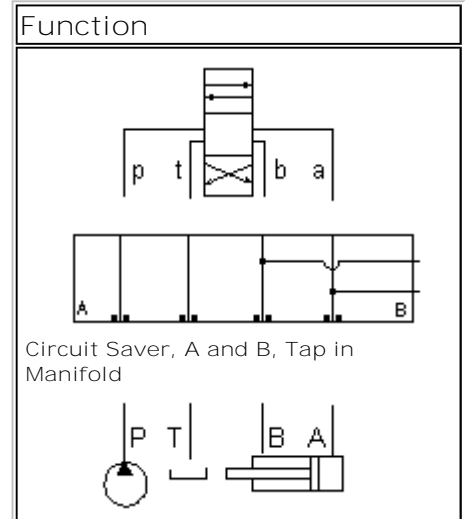
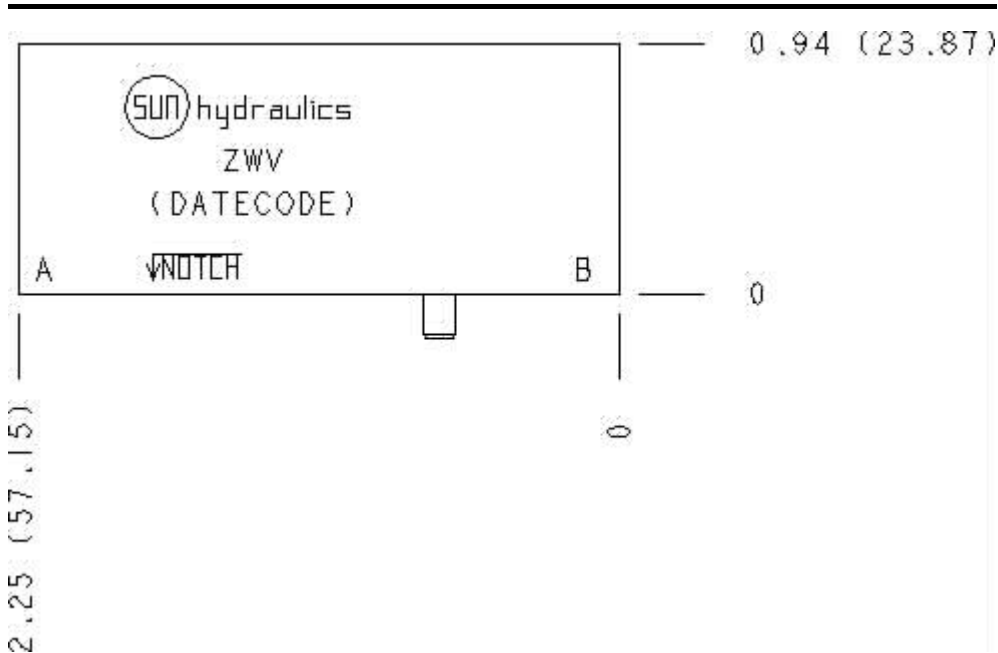
Functional Group:

Model:

Products : Manifolds : Sandwich : Circuit Saver : ISO 03 : A and B tap in manifold

ZWV

Face : 6



Cartridge extension measurement is to the centerline of the cartridge.

Aluminum Body Pressure Rating: **3000 psi (210 bar)**

Ductile Iron Body Pressure Rating: **5000 psi (350 bar)**

Port Headings and Sizes:

External Port

1/4" NPTF

Technical Data

	U.S. Units	Metric Units
<b>Model Weight</b>	0.34 lb.	0.15 kg.
<b>Body Features</b>	Tap in manifold - A and B	
<b>Body Type</b>	Sandwich	
<b>Interface</b>	ISO 03	

Option Selection:

Model Code

Description

ZWV

Aluminum, Buna-N,

ZWV/S	U.S. Units Ductile Iron, Buna-N, U.S. Units
ZWV/V	Aluminum, Viton, U.S. Units
ZWV/Y	Ductile Iron, Viton, U.S. Units

Special Notes :

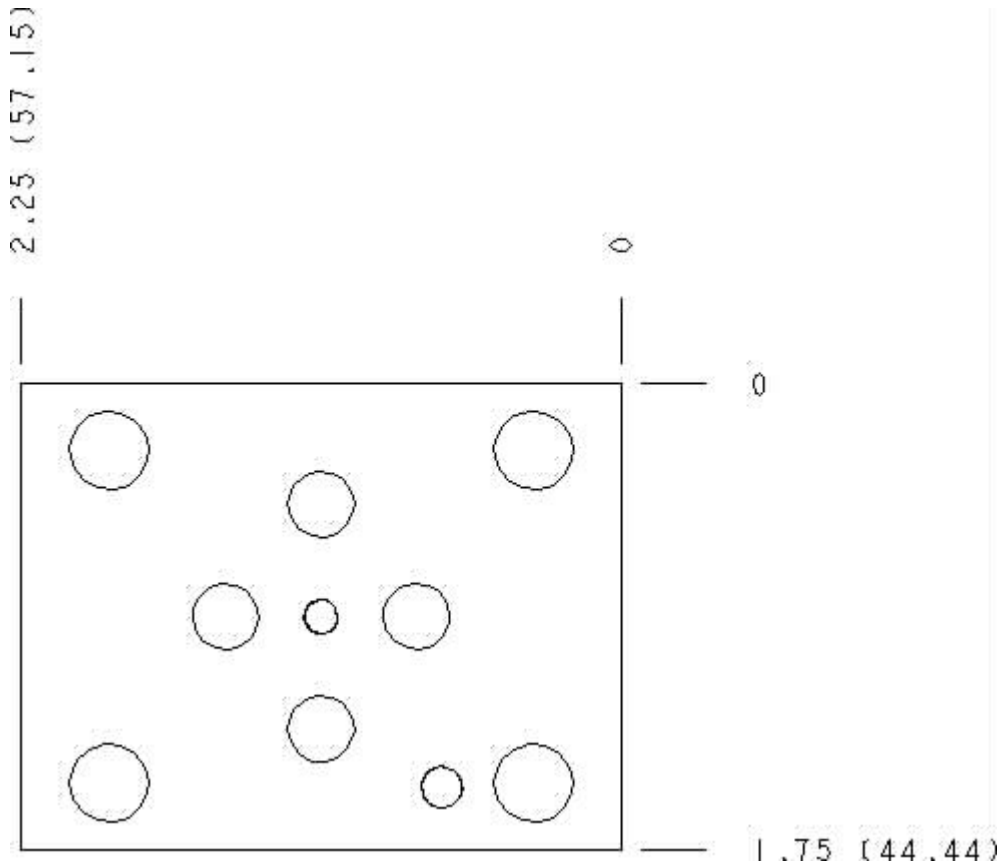
No Special Notes available for selected Model.



Functional Group:  
Products : Manifolds : Sandwich : Circuit Saver : ISO 03 : A and B tap in manifold

Model:  
ZWV

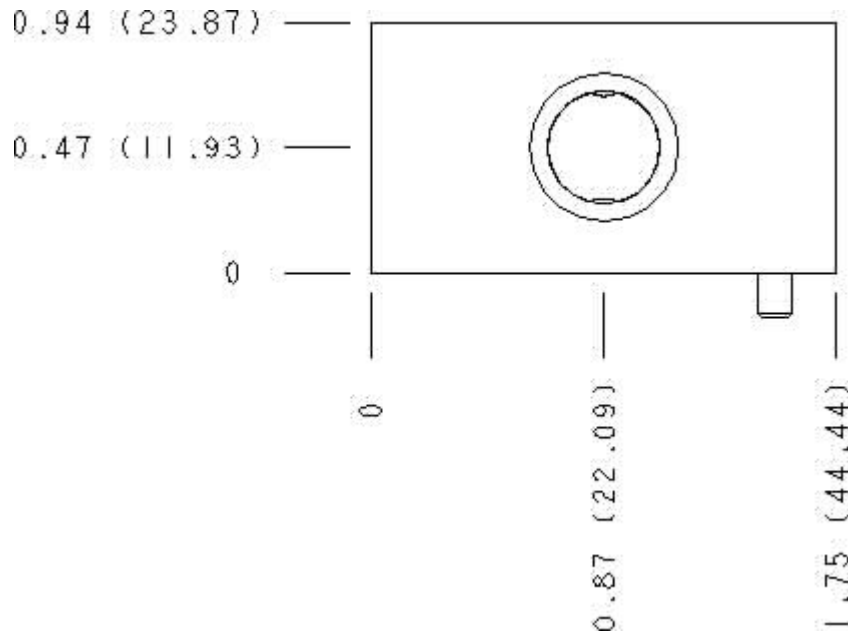
Face : 2



Cartridge extension measurement is to the centerline of the cartridge.



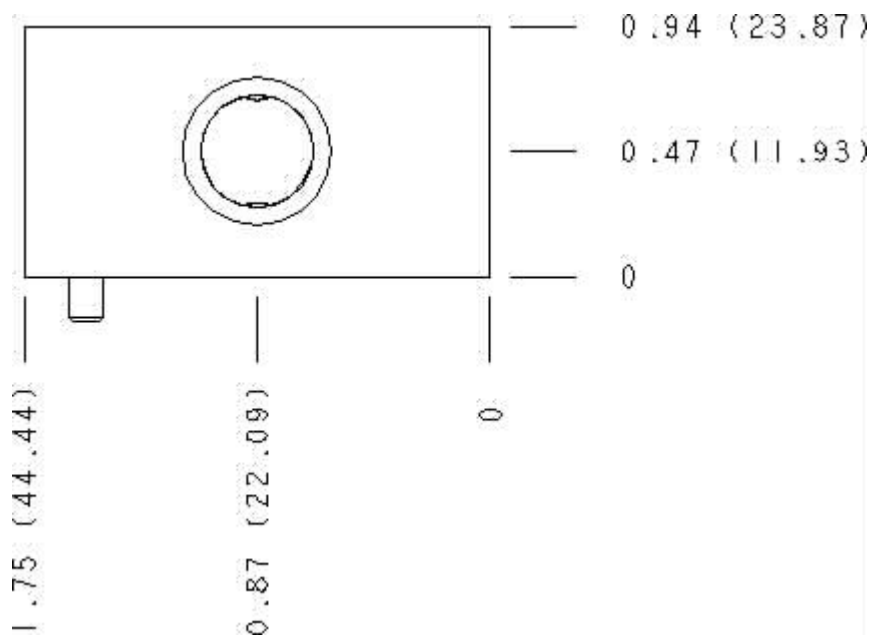
Face : 5



Cartridge extension measurement is to the centerline of the cartridge.



Face : 7

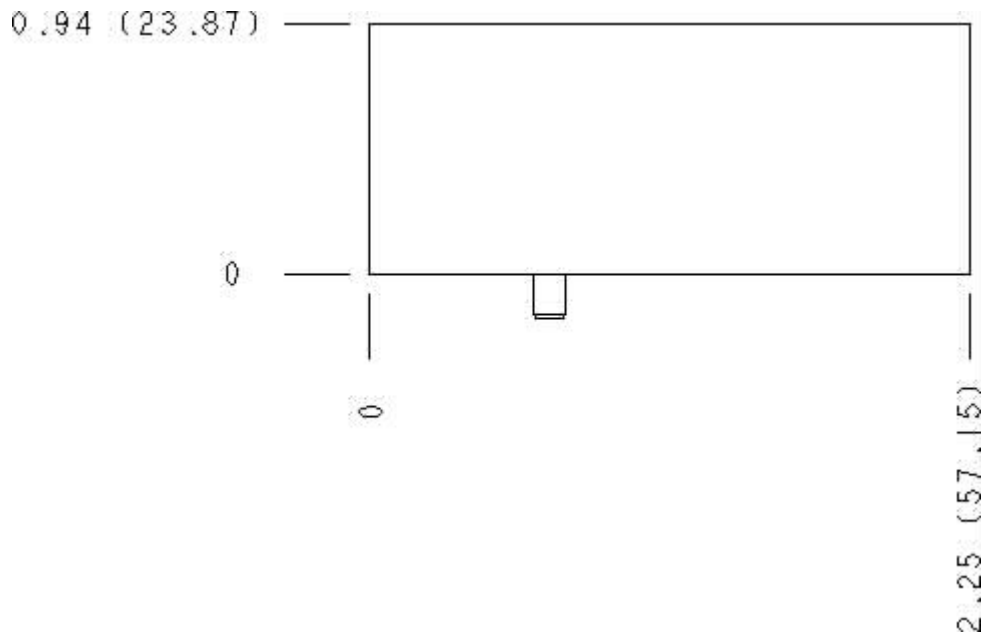


Cartridge extension measurement is to the centerline of the cartridge.

Functional Group:  
Products : Manifolds : Sandwich : Circuit Saver : ISO 03 : A and B tap in manifold

Model:  
ZWV

Face : 8

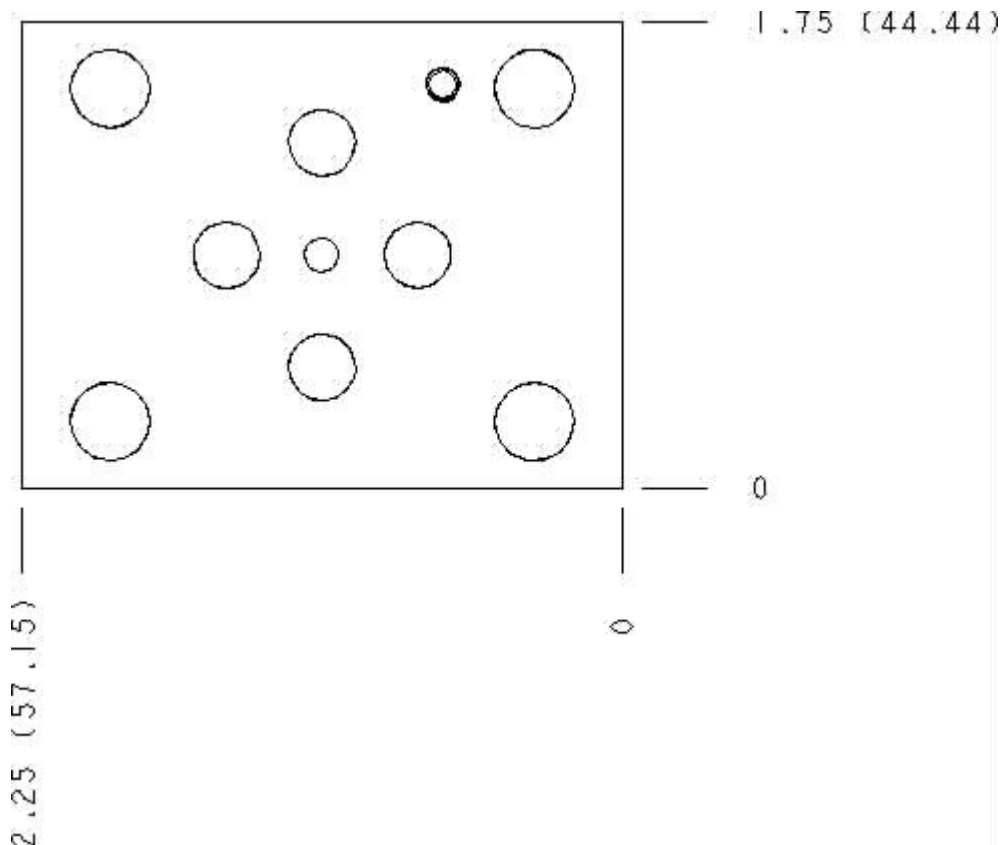


Cartridge extension measurement is to the centerline of the cartridge.

Functional Group:  
Products : Manifolds : Sandwich : Circuit Saver : ISO 03 : A and B tap in manifold

Model:  
ZWV

Face : 10



Cartridge extension measurement is to the centerline of the cartridge.



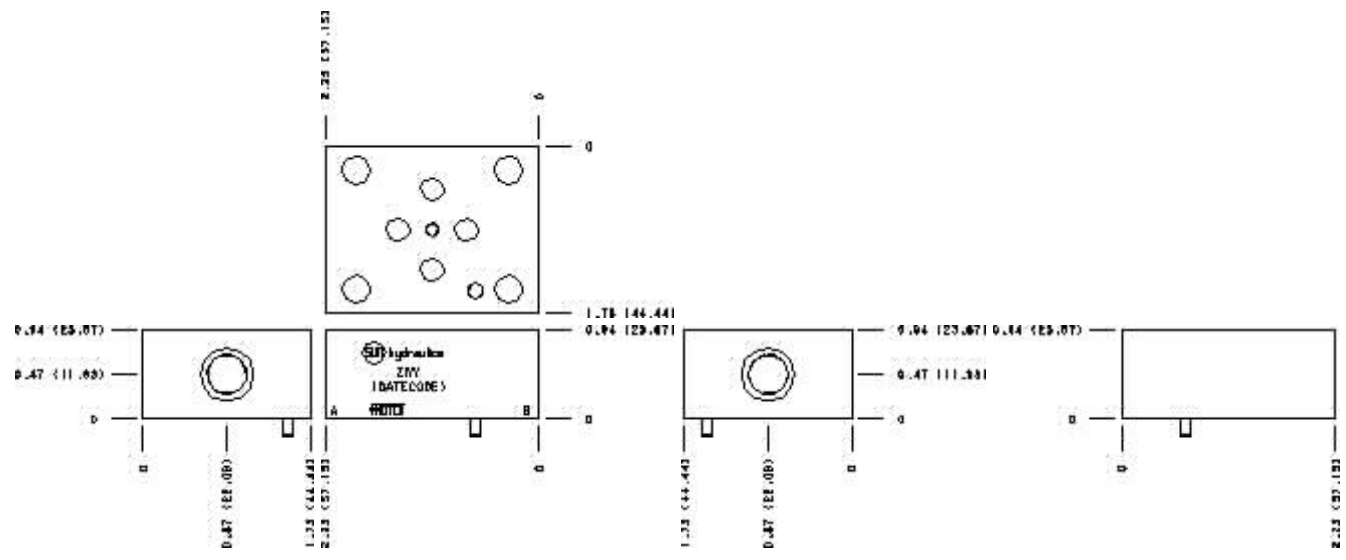
Functional Group:

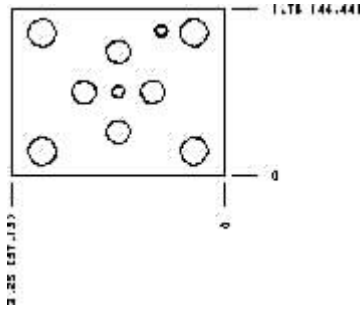
Products : Manifolds : Sandwich : Circuit Saver : ISO  
 03 : A and B tap in manifold

Model:  
 ZWV

Projection Type

All Dimensions in Inches(mm)





---

Copyright © 2007-2008 Sun Hydraulics Corporation.  
All rights reserved.

[Terms and Conditions](#) - [Statement of Privacy](#)