

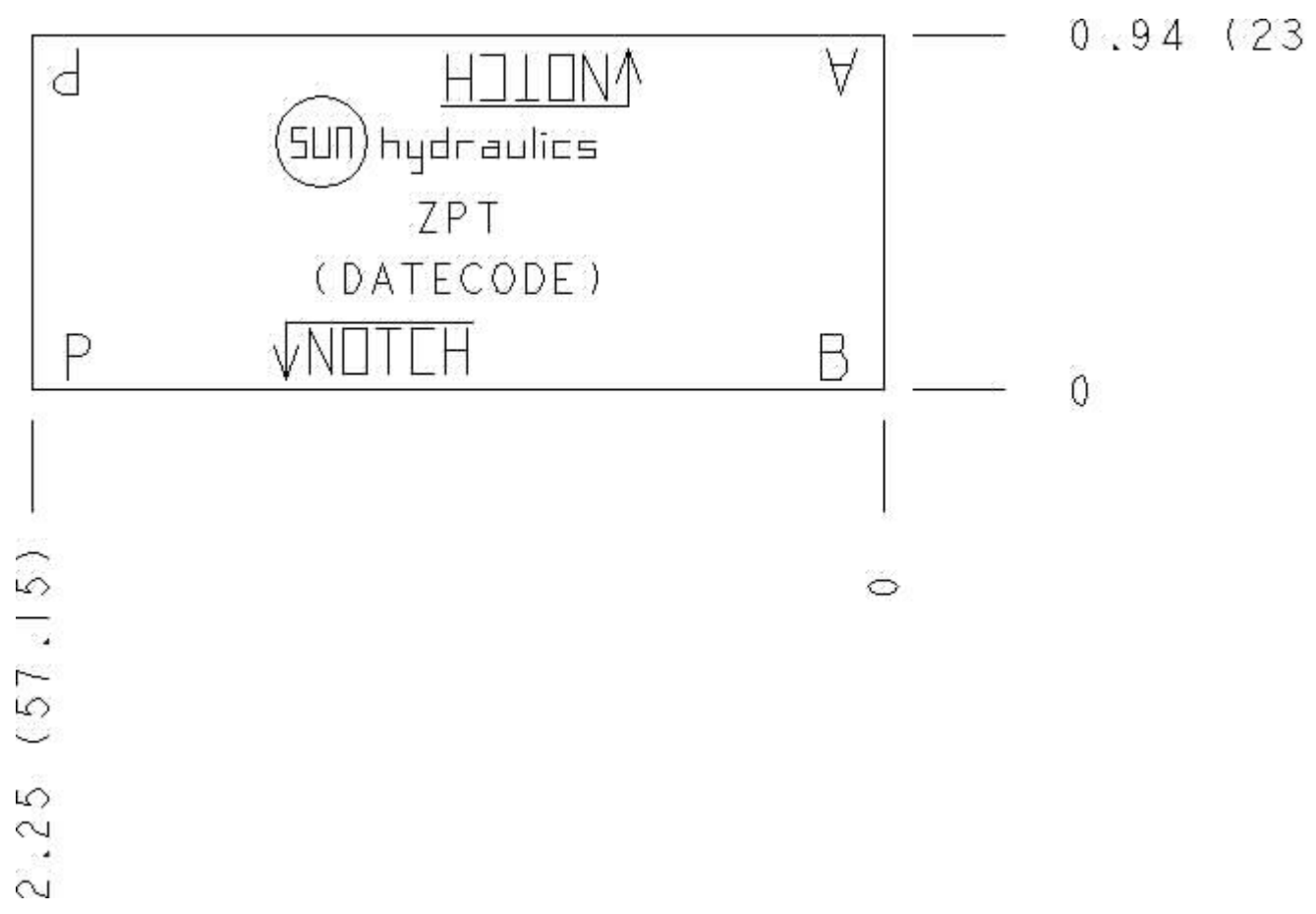
Functional Group:

Model:

Products : Manifolds : Sandwich : Circuit Saver : ISO 03 : P and A Tap in Manifold

ZPT

Face : 6



Cartridge extension measurement is to the centerline of the cartridge.

Aluminum Body Pressure Rating: **3000 psi (210 bar)**

Ductile Iron Body Pressure Rating: **5000 psi (350 bar)**

Port Headings and Sizes:

External Port

SAE 4

Technical Data

|                      | U.S. Units                                                 | Metric Units |
|----------------------|------------------------------------------------------------|--------------|
| <b>Model Weight</b>  | 0.33 lb.                                                   | 0.15 kg.     |
| <b>Body Features</b> | Tap in manifold - P and A or P and B or T and A or T and B |              |

|                  |          |
|------------------|----------|
| <b>Body Type</b> | Sandwich |
| <b>Interface</b> | ISO 03   |

---

Option Selection:

| Model Code | Description                         |
|------------|-------------------------------------|
| ZPT        | Aluminum, Buna-N,<br>U.S. Units     |
| ZPT/S      | Ductile Iron, Buna-N,<br>U.S. Units |
| ZPT/V      | Aluminum, Viton, U.S.<br>Units      |
| ZPT/Y      | Ductile Iron, Viton,<br>U.S. Units  |

---

Special Notes :

No Special Notes available for selected Model.

---



Functional Group:  
Products : Manifolds : Sandwich : Circuit Saver : ISO 03 : P and A Tap in  
Manifold

Model:  
ZPT

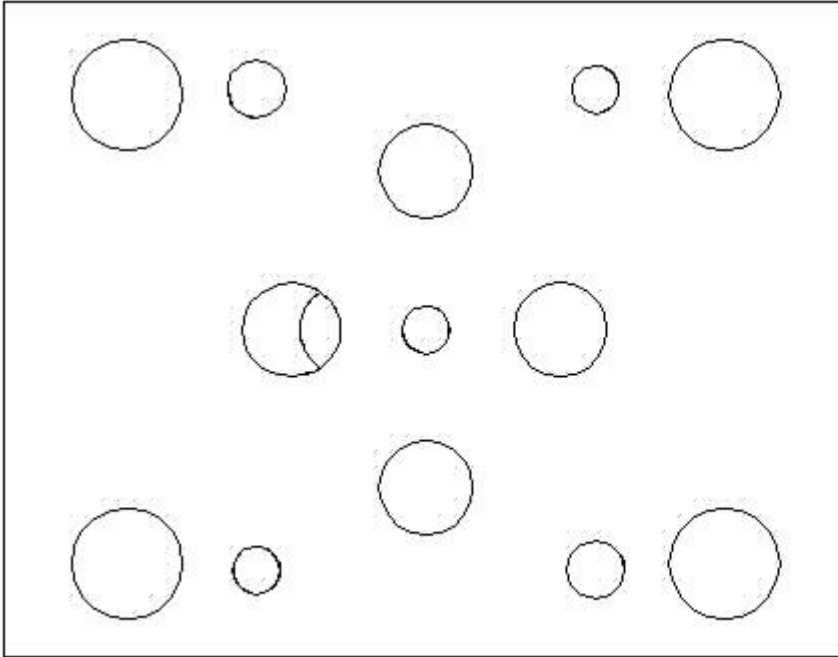
Face : 2

---

2.25 (57.15)

0

0



1.75 (44.2)

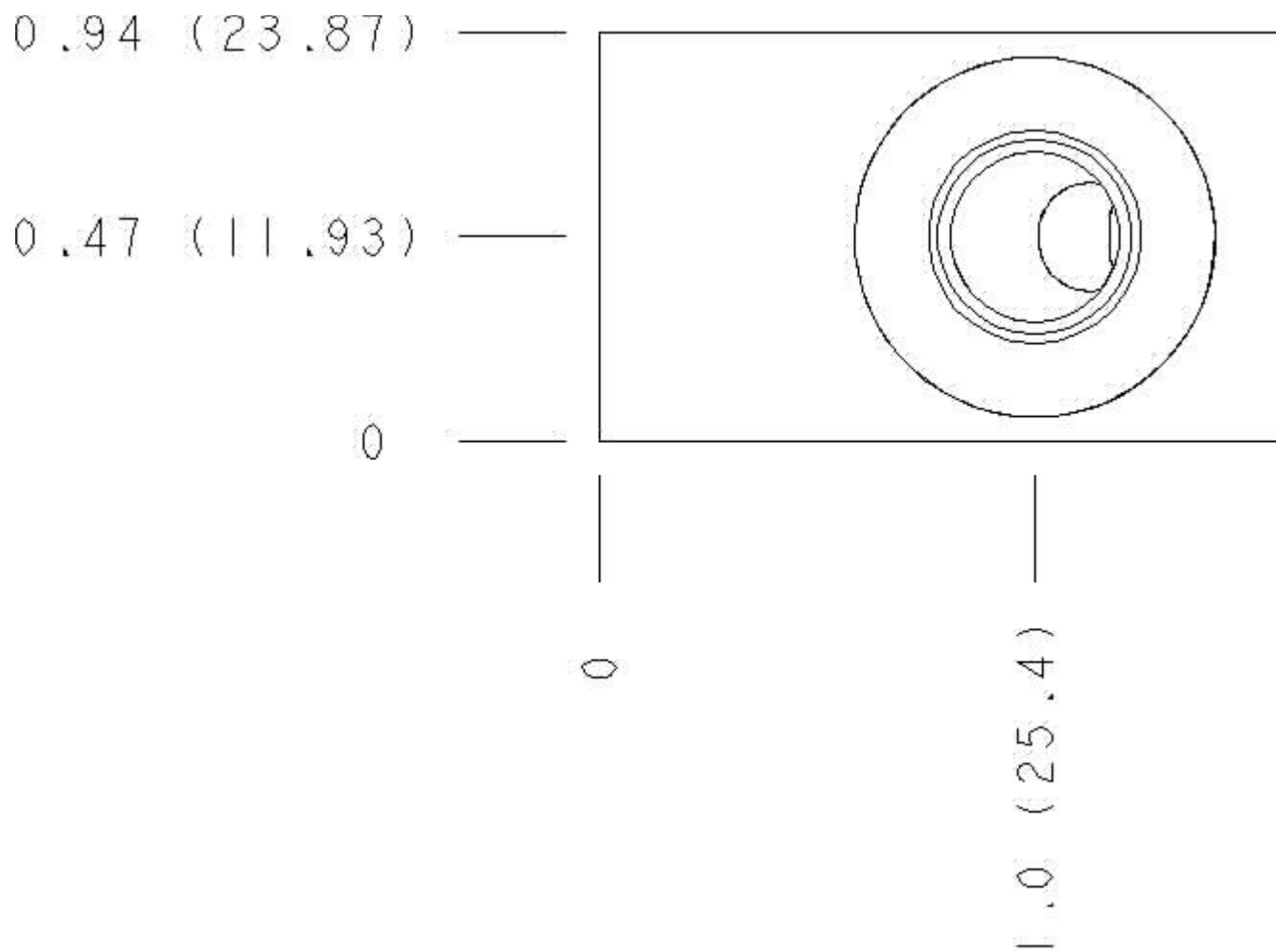
Cartridge extension measurement is to the centerline of the cartridge.



Functional Group:  
Products : Manifolds : Sandwich : Circuit Saver : ISO 03 : P and A Tap in  
Manifold

Model:  
ZPT

Face : 5



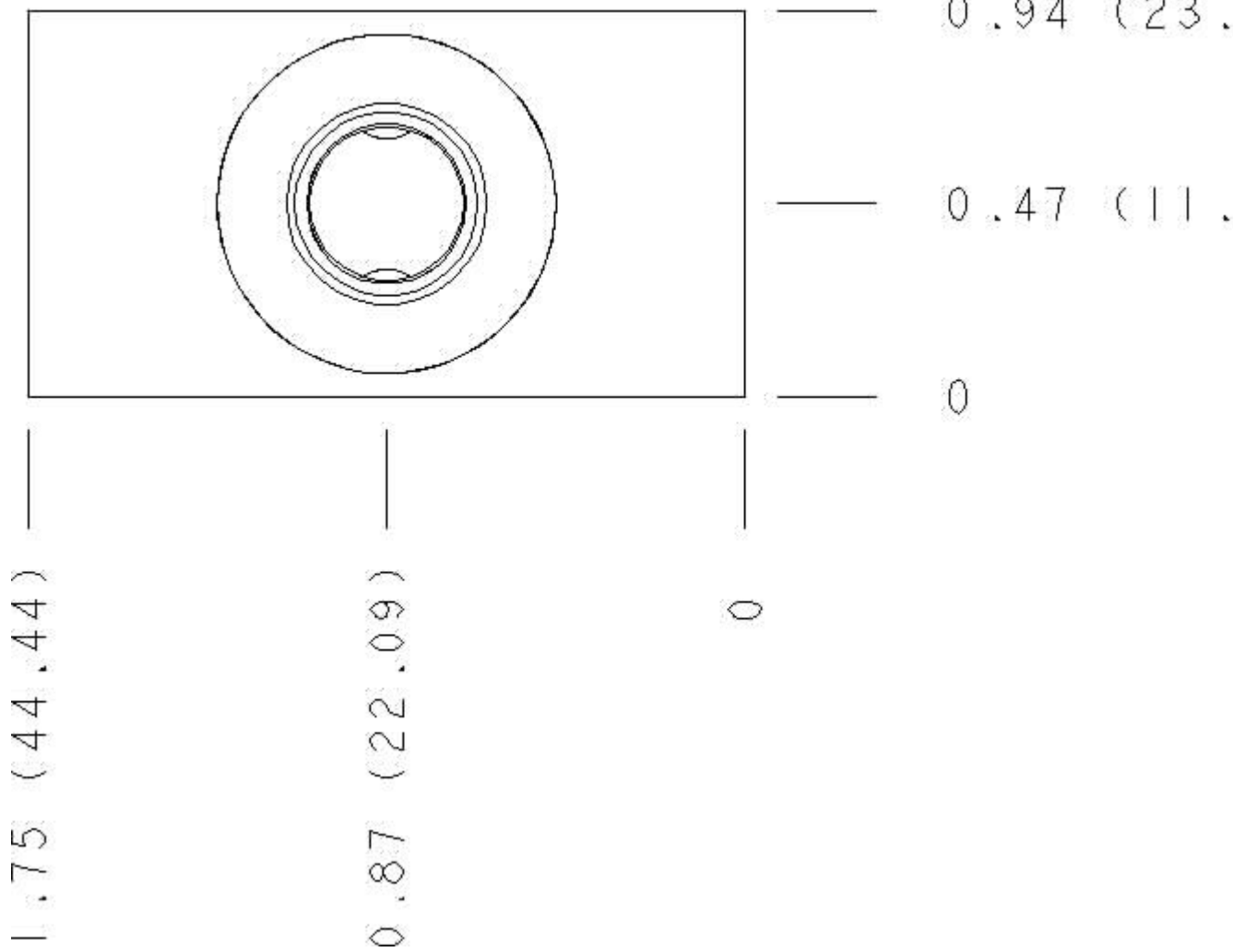
Cartridge extension measurement is to the centerline of the cartridge.



Functional Group:  
 Products : Manifolds : Sandwich : Circuit Saver : ISO 03 : P and A Tap in  
 Manifold

Model:  
 ZPT

Face : 7



Cartridge extension measurement is to the centerline of the cartridge.

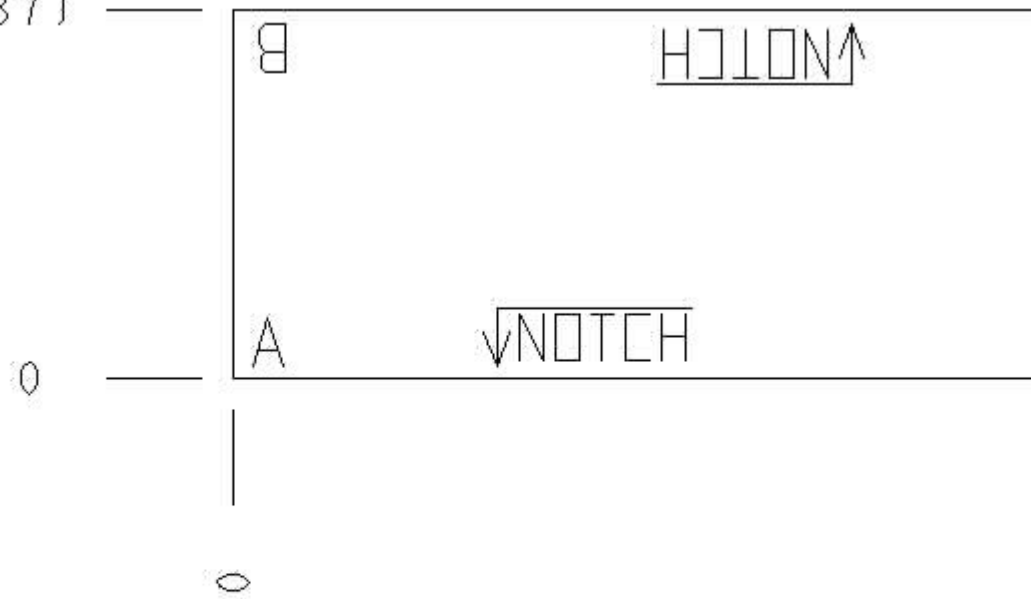


Functional Group:  
 Products : Manifolds : Sandwich : Circuit Saver : ISO 03 : P and A Tap in  
 Manifold

Model:  
 ZPT

Face : 8

0.94 (23.87)



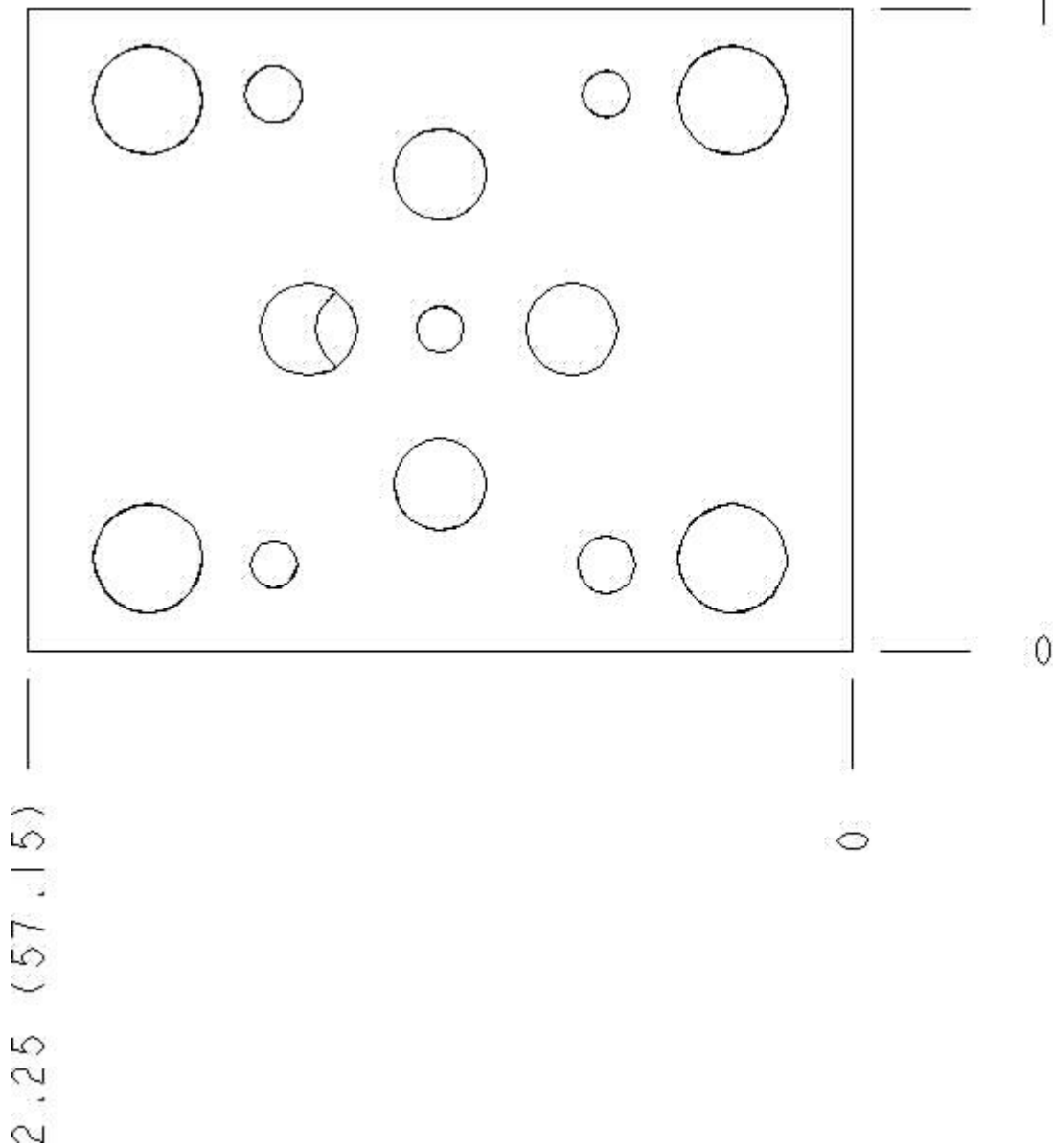
Cartridge extension measurement is to the centerline of the cartridge.



Functional Group:  
Products : Manifolds : Sandwich : Circuit Saver : ISO 03 : P and A Tap in  
Manifold

Model:  
ZPT

Face : 10



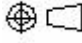
Cartridge extension measurement is to the centerline of the cartridge.



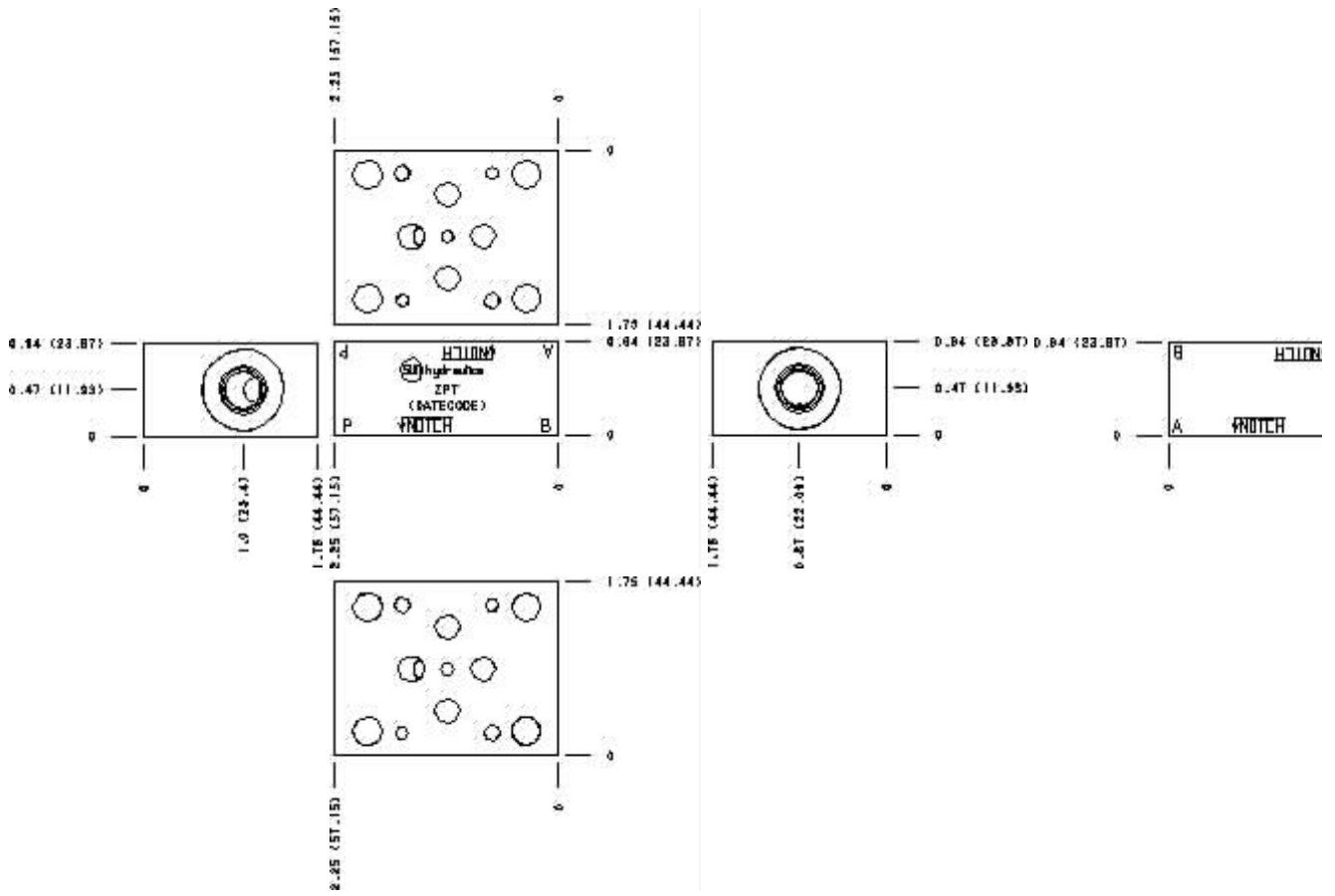
Functional Group:

Products : Manifolds : Sandwich : Circuit Saver : ISO  
03 : P and A Tap in Manifold

Model:  
ZPT

Projection Type 

All Dimensions in Inches(mm)



Copyright © 2007-2008 Sun Hydraulics Corporation.  
All rights reserved.

[Terms and Conditions](#) - [Statement of Privacy](#)