

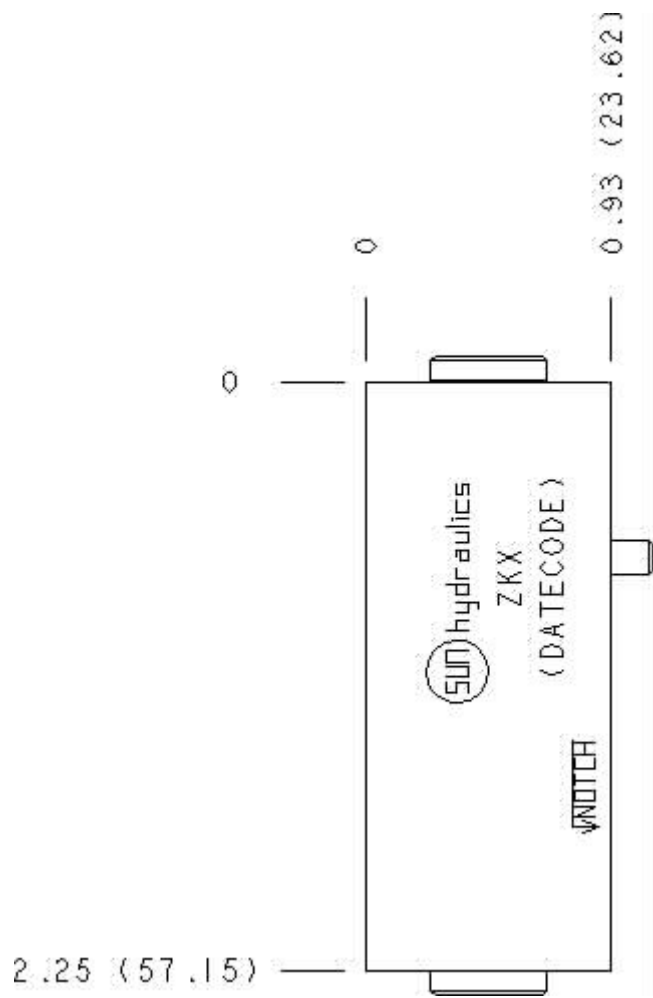
Functional Group:

Model:

Products : Manifolds : Sandwich : Circuit Saver : ISO 03 : Adaptor block switching ports A and B

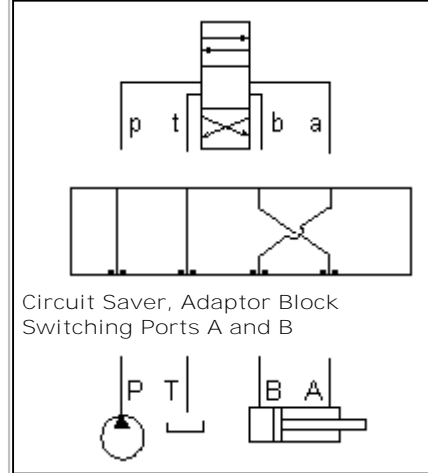
ZKX

Face : 7



Cartridge extension measurement is to the centerline of the cartridge.

Function



Aluminum Body Pressure Rating: **3000 psi (210 bar)**

Ductile Iron Body Pressure Rating: **5000 psi (350 bar)**

Technical Data

	U.S. Units	Metric Units
<b>Model Weight</b>	0.36 lb.	0.16 kg.
<b>Body Features</b>	Adaptor - Switches ports A and B	
<b>Body Type</b>	Sandwich	
<b>Interface</b>	ISO 03	

Option Selection:

Model Code	Description
ZKX	Aluminum, Buna-N, U.S. Units
ZKX/S	Ductile Iron, Buna-N, U.S. Units
ZKX/V	Aluminum, Viton, U.S. Units
ZKX/Y	Ductile Iron, Viton, U.S. Units

Special Notes :

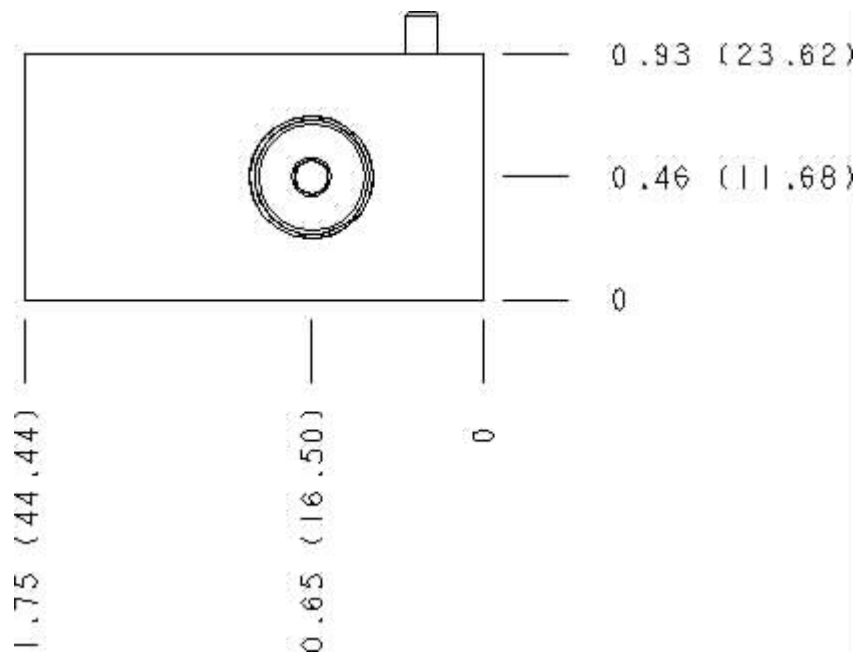
No Special Notes available for selected Model.



Functional Group:  
Products : Manifolds : Sandwich : Circuit Saver : ISO 03 : Adaptor block  
switching ports A and B

Model:  
ZKX

Face : 2



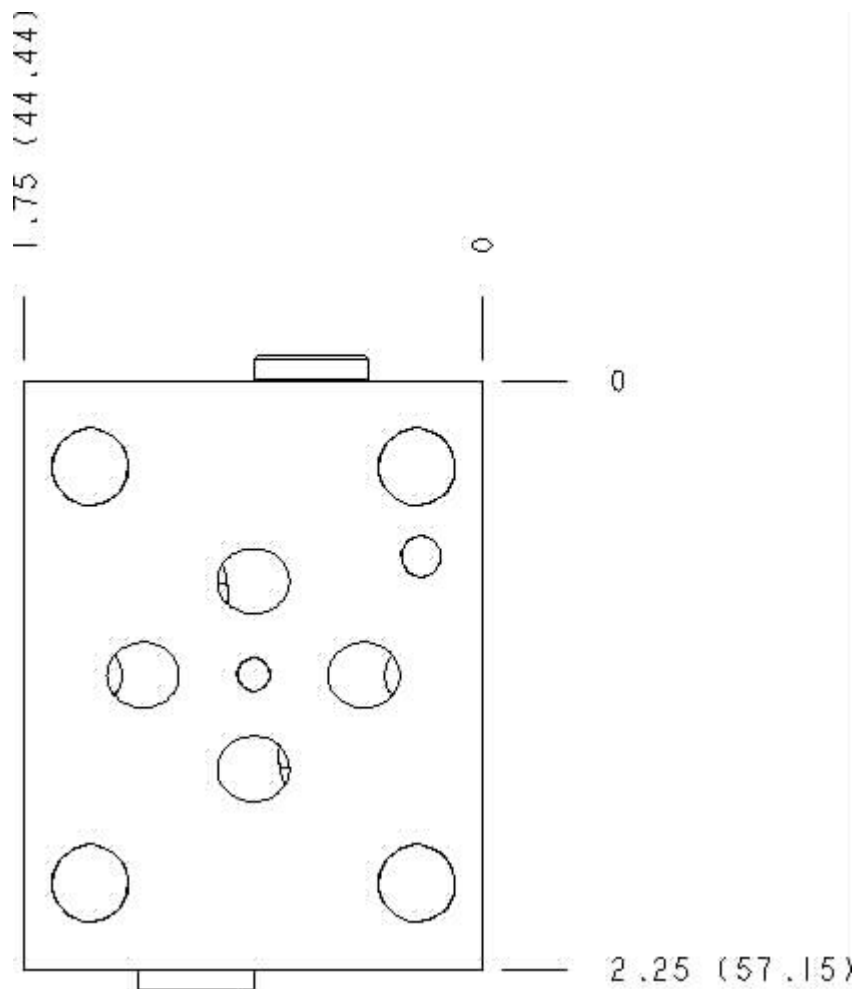
Cartridge extension measurement is to the centerline of the cartridge.

Functional Group:  
Products : Manifolds : Sandwich : Circuit Saver : ISO 03 : Adaptor block  
switching ports A and B

Model:  
ZKX

Face : 6

---



Cartridge extension measurement is to the centerline of the cartridge.

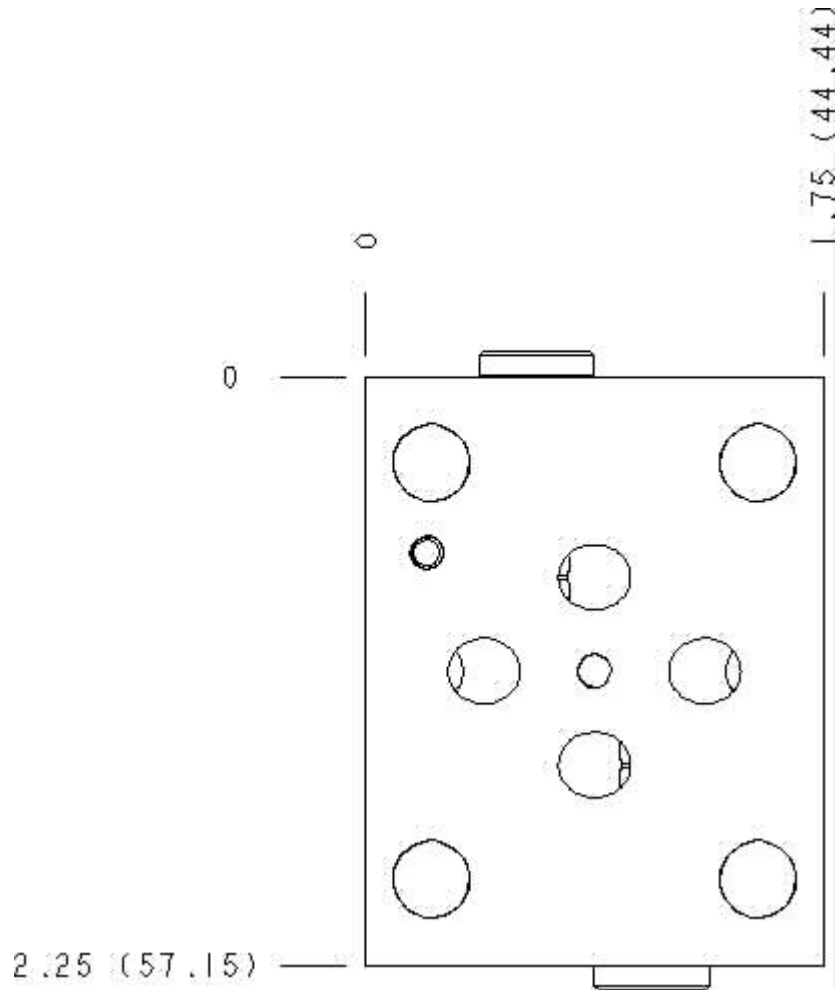
---

Functional Group:  
Products : Manifolds : Sandwich : Circuit Saver : ISO 03 : Adaptor block  
switching ports A and B

Model:  
ZKX

Face : 8

---



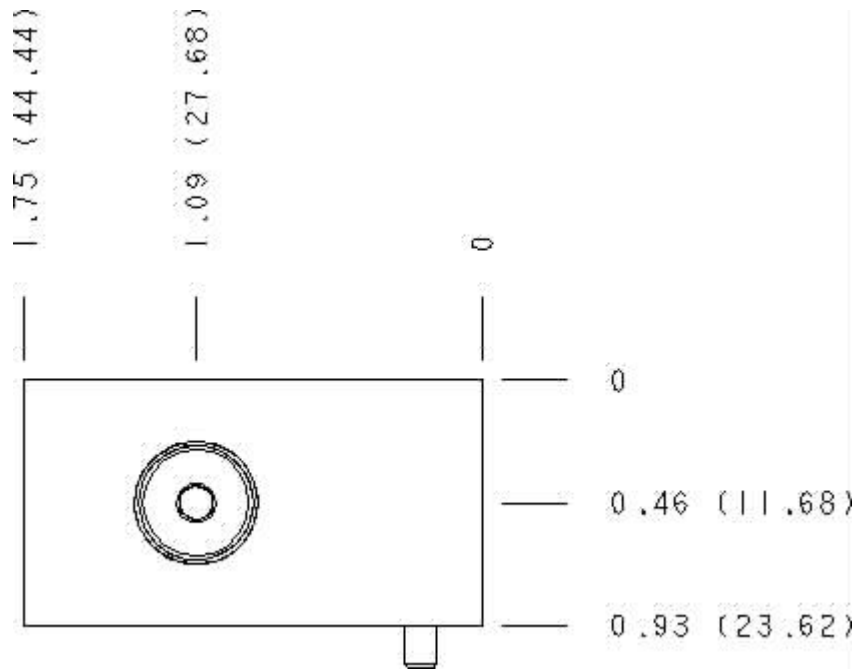
Cartridge extension measurement is to the centerline of the cartridge.



Functional Group:  
 Products : Manifolds : Sandwich : Circuit Saver : ISO 03 : Adaptor block  
 switching ports A and B

Model:  
 ZKX

Face : 10



Cartridge extension measurement is to the centerline of the cartridge.



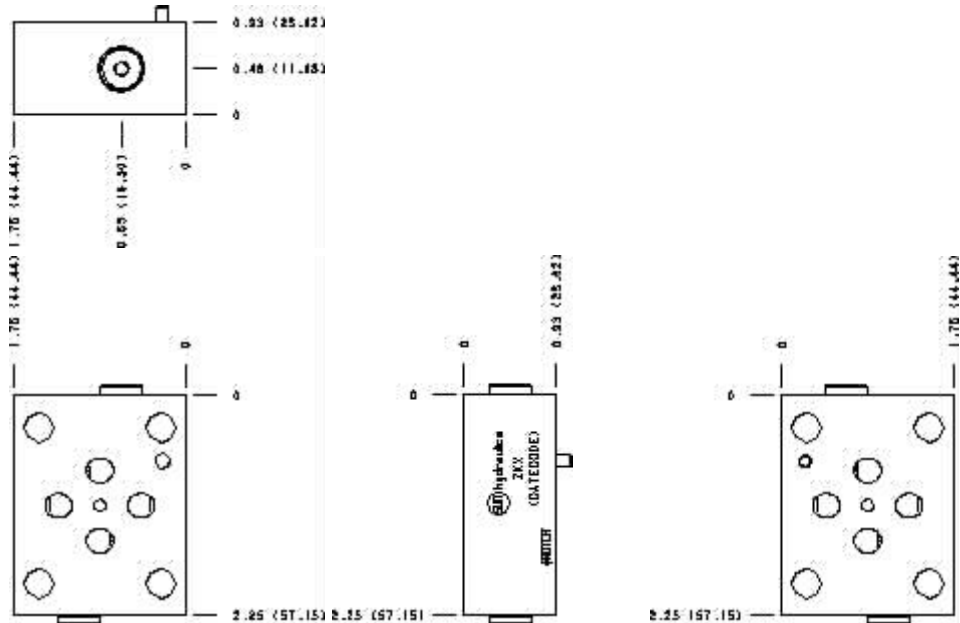
Functional Group:

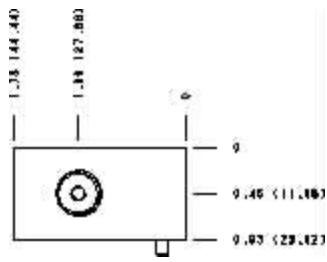
Products : Manifolds : Sandwich : Circuit Saver : ISO  
 03 : Adaptor block switching ports A and B

Model:  
 ZKX

Projection Type

All Dimensions in Inches(mm)





---

Copyright © 2007-2008 Sun Hydraulics Corporation.  
All rights reserved.

[Terms and Conditions](#) - [Statement of Privacy](#)