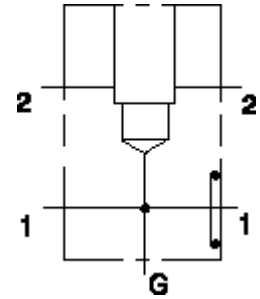


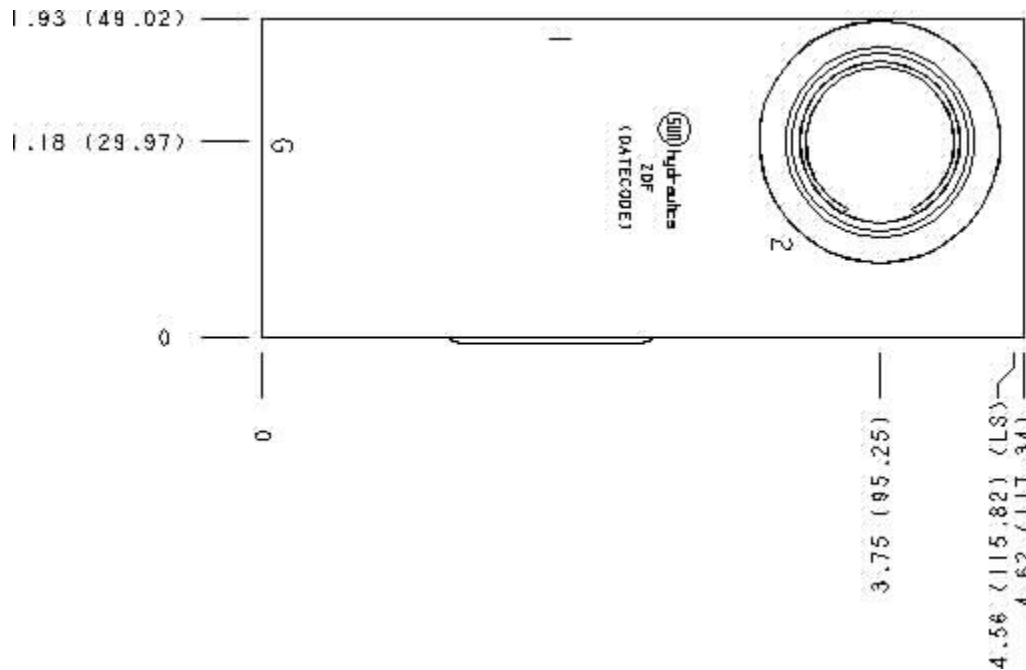
Functional Group:
 Products : Manifolds : Line mount : Relief : 2 Port : Flange mount through port

Model:
 ZDF

Aluminum Body Pressure Rating: 3000 psi (210 bar)
 Ductile Iron Body Pressure Rating: 5000 psi (350 bar)



Face: 6



Cartridge extension measurement is to the centerline of the cartridge.

Port Headings and Sizes

ZDF/M	Flange Port 1	3/4" Code 61
ZDF/M	Threaded Ports 1 & 2	SAE 12
ZDF/M	Gage Port	1/4" NPTF
ZDF	Flange Port 1	3/4" Code 61
ZDF	Threaded Ports 1 & 2	SAE 12
ZDF	Gage Port	1/4" NPTF

Technical Data

	U.S. Units	Metric Units
Model Weight	1.67 lb.	0.76 kg.

Cavity	T-10A	
Body Features	Flange mount through port	
Body Type	Line mount	
Interface	0.75 SAE C61	
Open Cavity Quantity	1	
Mounting Hole Diameter	.41 in.	10,4 mm
Mounting Hole Depth	Through	
Mounting Hole C'bore Diameter	.59 in.	
Mounting Hole C'bore Depth	.34 in.	8.6 mm
Mounting Hole Quantity	4	

Option Selection

U.S. Dollar ▼

Model Code	Description
ZDF/M	Aluminum, Buna-N, Metric
ZDF/Z	Aluminum, Viton, Metric
ZDF	Aluminum, Buna-N, U.S. Units
ZDF/V	Aluminum, Viton, U.S. Units
ZDF/T	Ductile Iron, Buna-N, Metric
ZDF/W	Ductile Iron, Viton, Metric
ZDF/S	Ductile Iron, Buna-N, U.S. Units
ZDF/Y	Ductile Iron, Viton, U.S. Units

Display Components

	Description	Quantity
500-001-214	O-Ring	1

Special Notes

- No Special Notes Available for selected model.