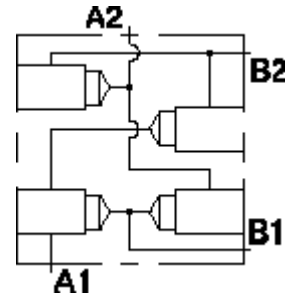


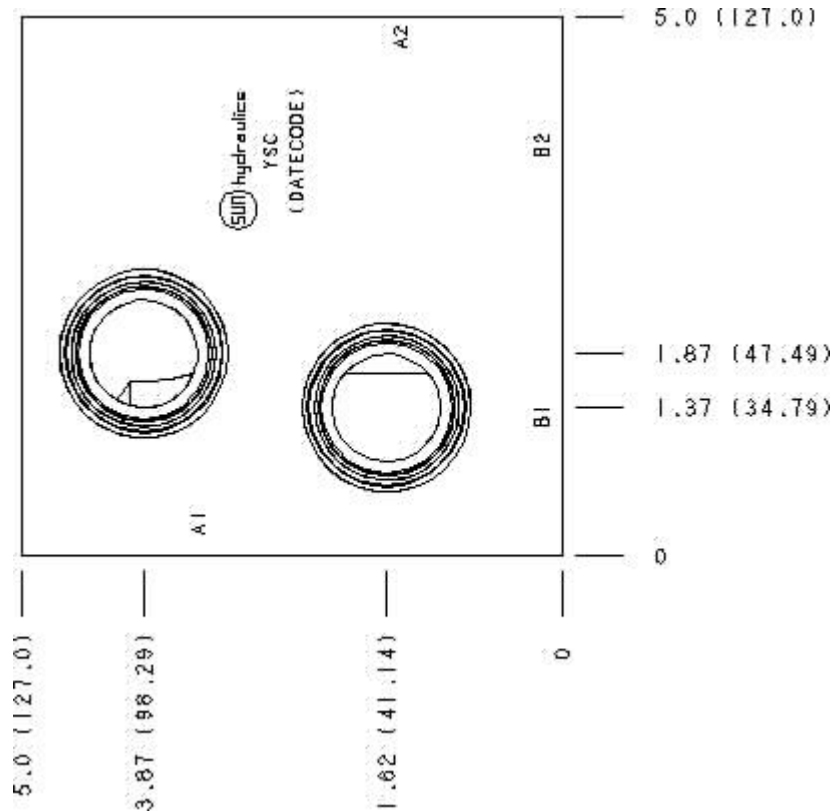
Functional Group:
 Products : Manifolds : Line mount : Check : 2 Port : Rectifier body

Model:
 YSC

Aluminum Body Pressure Rating: 3000 psi (210 bar)
 Ductile Iron Body Pressure Rating: 5000 psi (350 bar)



Face: 6



Cartridge extension measurement is to the centerline of the cartridge.

Port Headings and Sizes

YSC All Ports 3/4" NPTF

Technical Data

	U.S. Units	Metric Units
Model Weight	9.12 lb.	4.14 kg.
Cavity	T-16A	

Body Features	Rectifier circuit
Body Type	Line mount
Interface	None
Open Cavity Quantity	4
Mounting Hole Thread	.375-16 UNC - 2B in.
Mounting Hole Depth	.62 in. 15,7 mm
Mounting Hole Quantity	2

Option Selection

U.S. Dollar ▼

Model Code	Description
YSC	Aluminum, Buna-N, U.S. Units
YSC/S	Ductile Iron, Buna-N, U.S. Units

Special Notes

- No Special Notes Available for selected model.