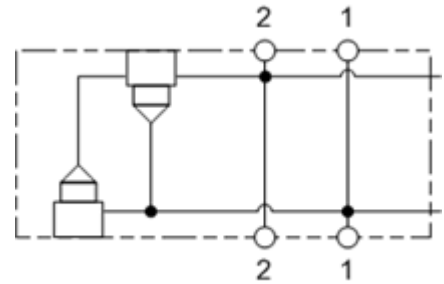
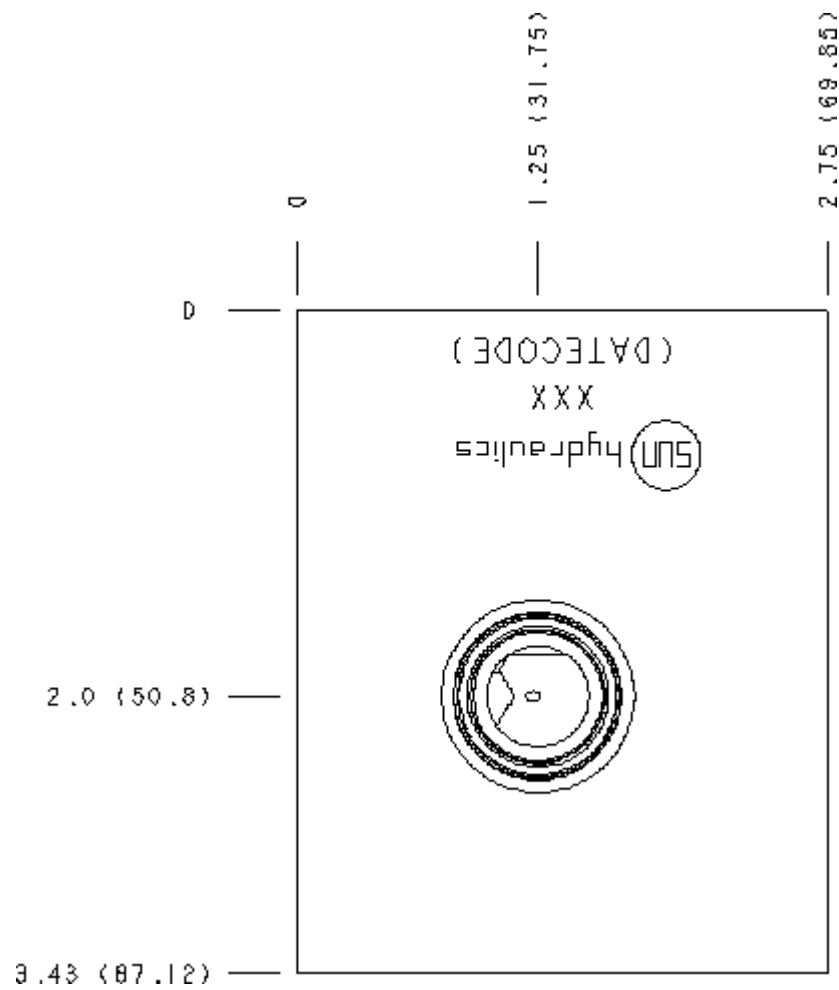


Functional Group:
 Products : Manifolds : Motor mount : Relief : Staffa mount

Model:
 XXX



Face: 10



Port Headings and Sizes

XXX Port Size 1" BSPP

Technical Data

	U.S. Units	Metric Units
Model Weight	3.02 lb.	1.37 kg.
Cavity	T-10A	
Body Features	Cross port	
Body Type	Motor mount	
Interface	Staffa B080/B125/B200	
Open Cavity Quantity	2	
Mounting Hole Diameter	.42 in.	10,7 mm
Mounting Hole Depth	Through	
Mounting Hole Quantity	6	

Option Selection

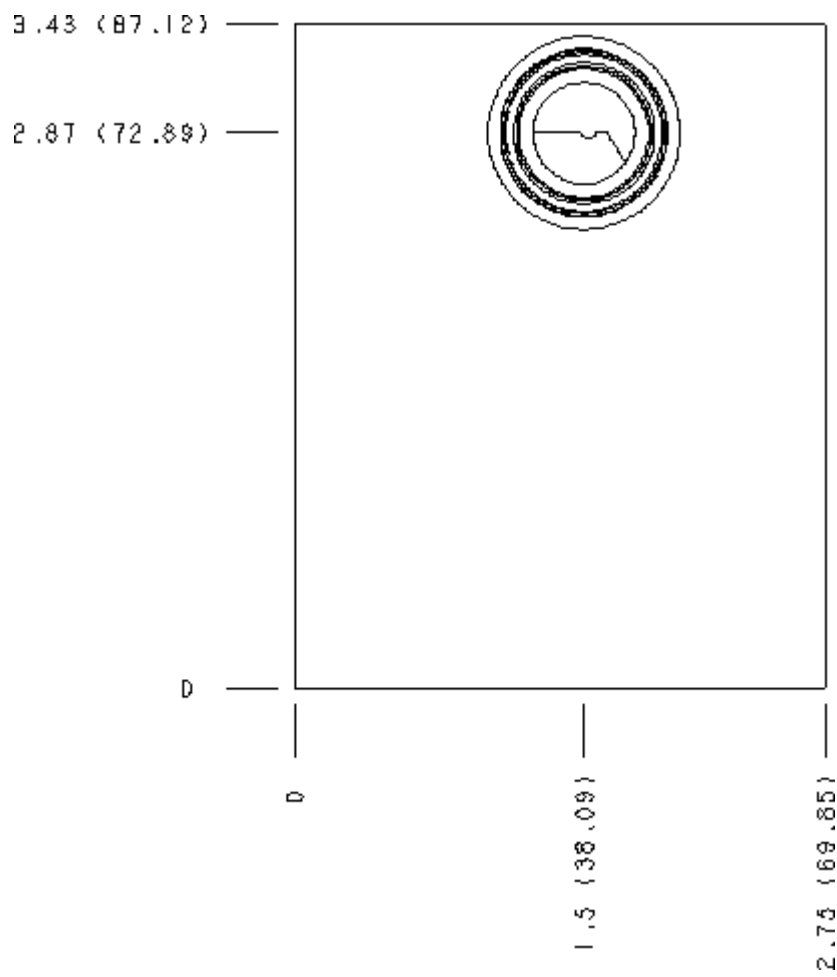
U.S. Dollar ▼

Aluminum Body Pressure Rating: 3000 psi (210 bar)
Ductile Iron Body Pressure Rating: 5000 psi (350 bar)

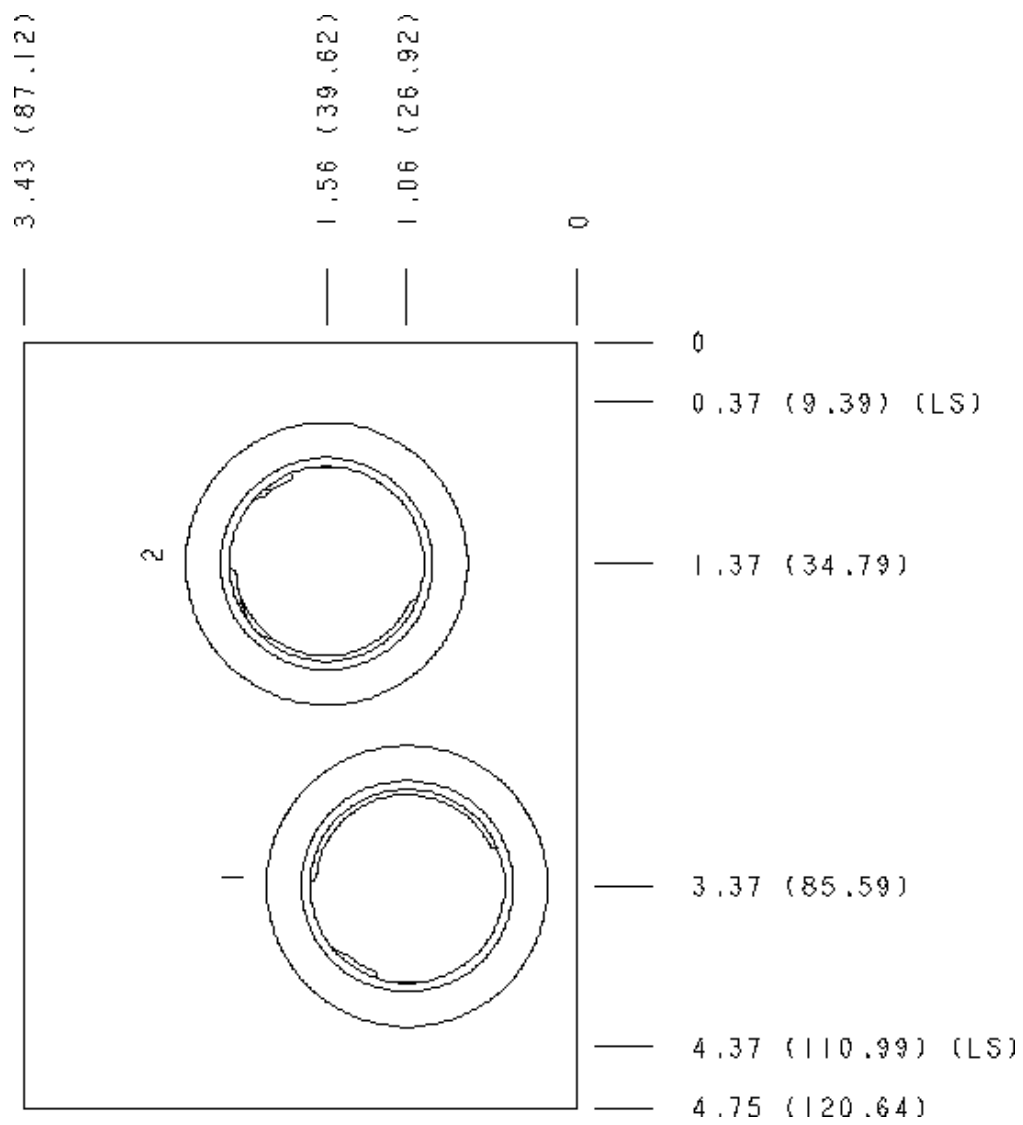
Model Code	Description
XXX	Aluminum, Buna-N, U.S. Units
XXX/S	Ductile Iron, Buna-N, U.S. Units

Special Notes

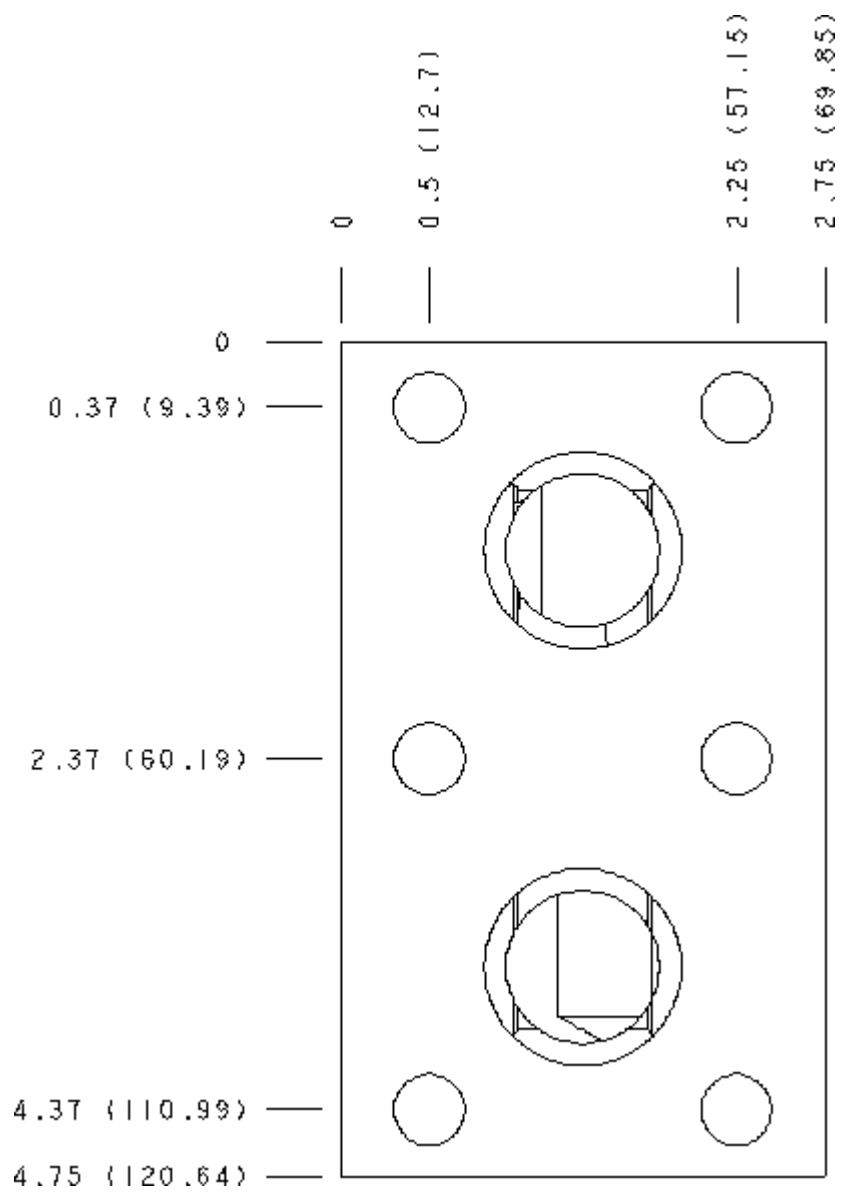
- No Special Notes Available for selected model.



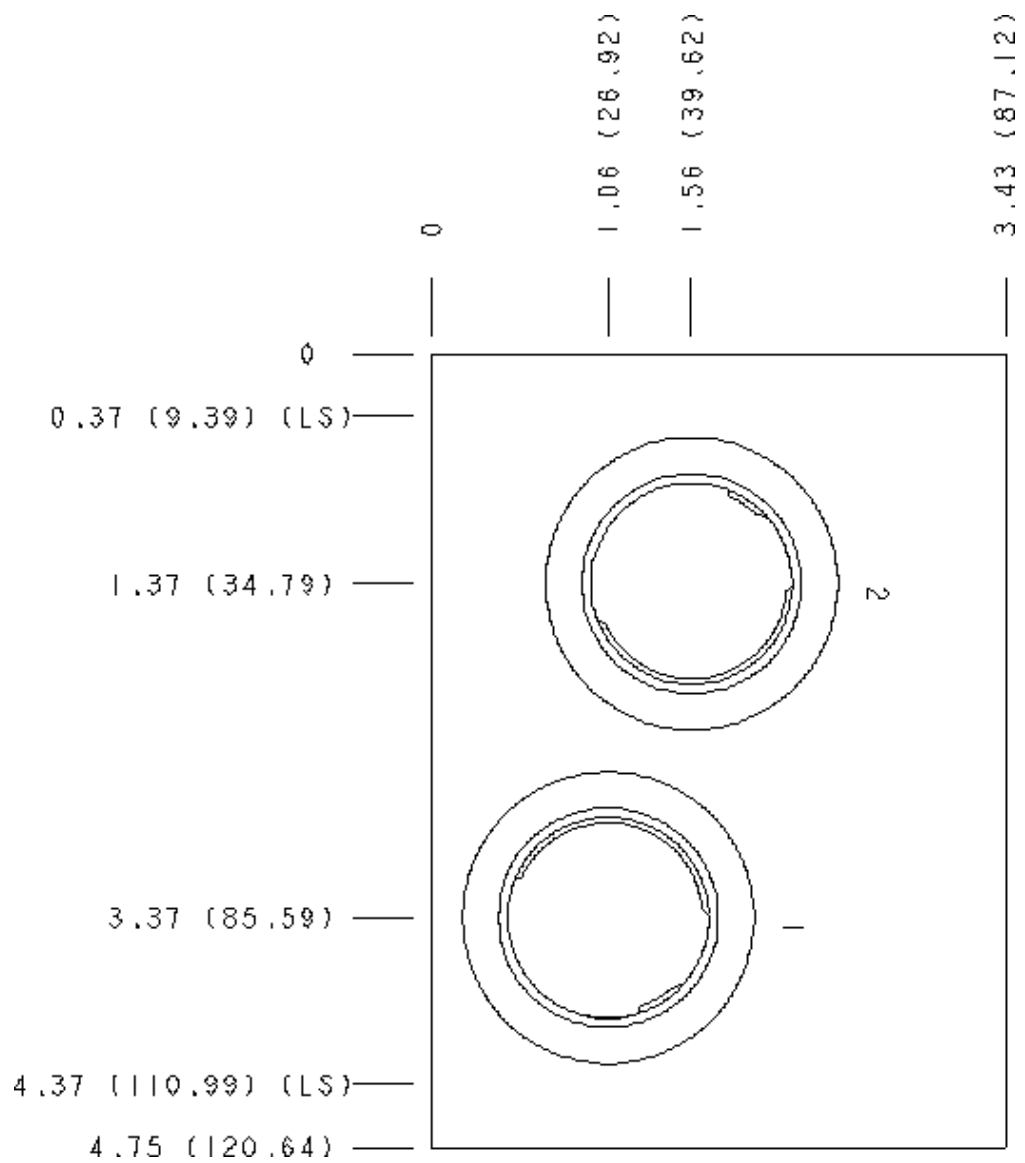
Face 5



Face 6



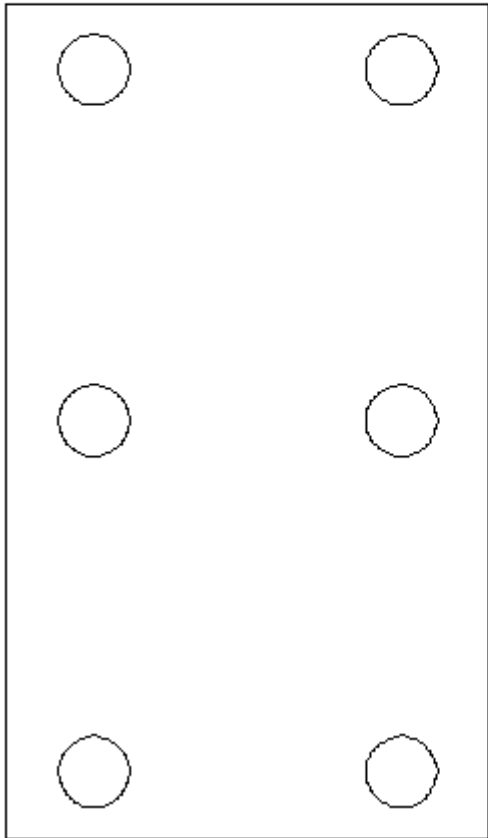
Face 7



Face 8

2.75 (69.85)

0



0

0.37 (9.39) (LS)

4.37 (110.99) (LS)

4.75 (120.64)

