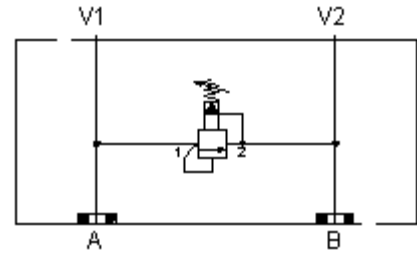


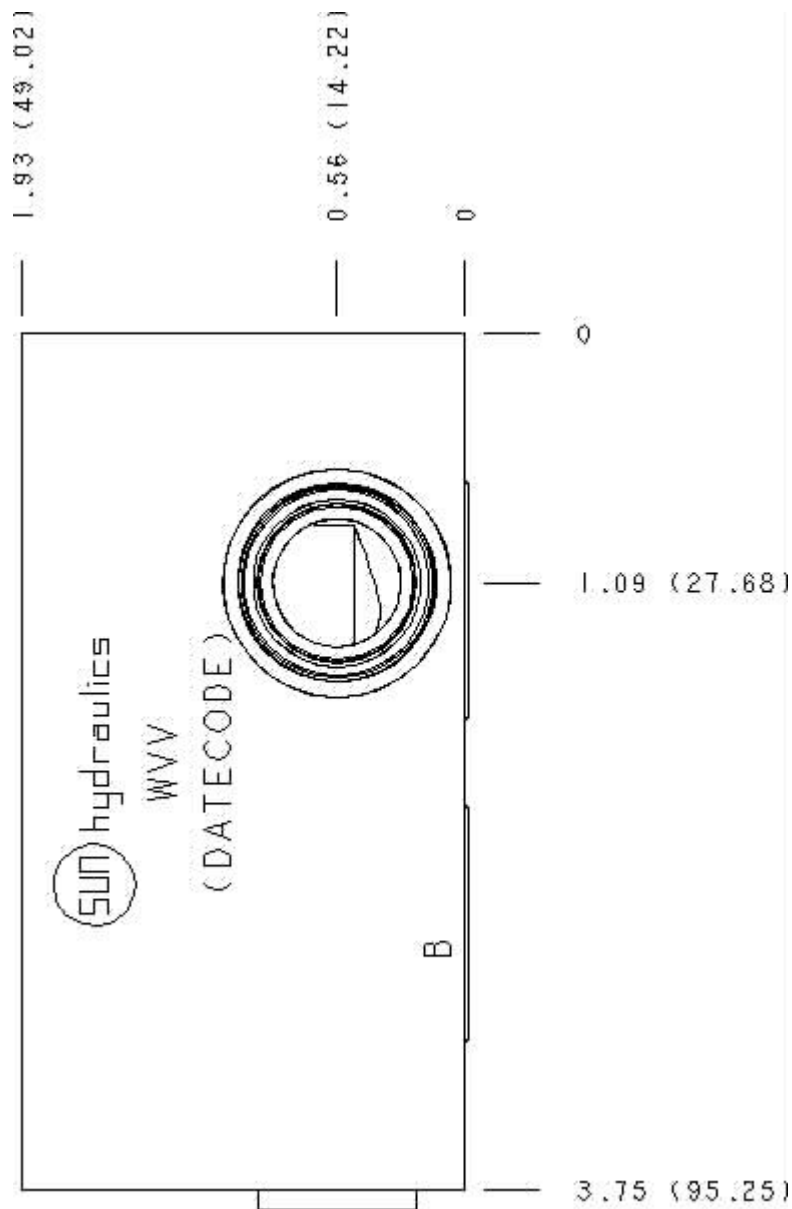
Functional Group:  
 Products : Manifolds : Motor mount : Relief : Danfoss OMP/OMR : Relief A to B

Model:  
 WVV

Aluminum Body Pressure Rating: 3000 psi (210 bar)  
 Ductile Iron Body Pressure Rating: 5000 psi (350 bar)



Face: 8



Cartridge extension measurement is to the centerline of the cartridge.

---

Port Headings and Sizes

WVV	Ports V1 & V2	SAE 10
WVV	Gage Port	SAE 6

---

---

Technical Data

	U.S. Units	Metric Units
Model Weight	2.14 lb.	0.97 kg.
Cavity	T-10A	
Body Features	A to B	
Body Type	Motor mount	
Interface	Danfoss OMP	
Open Cavity Quantity	1	

---

Option Selection

U.S. Dollar 

Model Code	Description
WVV	Aluminum, Buna-N, U.S. Units
WVV/V	Aluminum, Viton, U.S. Units
WVV/S	Ductile Iron, Buna-N, U.S. Units
WVV/Y	Ductile Iron, Viton, U.S. Units

---

Display Components

	Description	Quantity
500-001-118	O-Ring	2
A330-006-006	SAE Plug	1

---

Special Notes

- No Special Notes Available for selected model.
- 
-