



# P U M P S

## WPB B Flange Gear Pumps Specifications & Dimensional Data

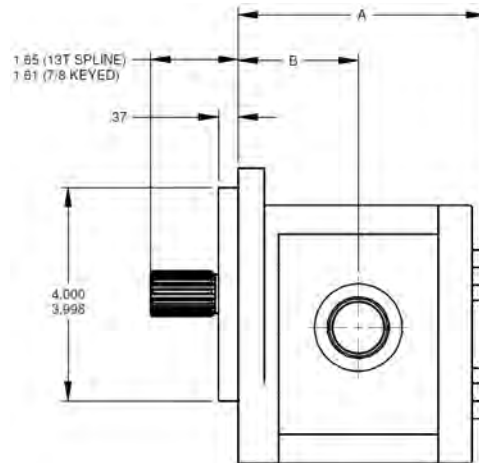
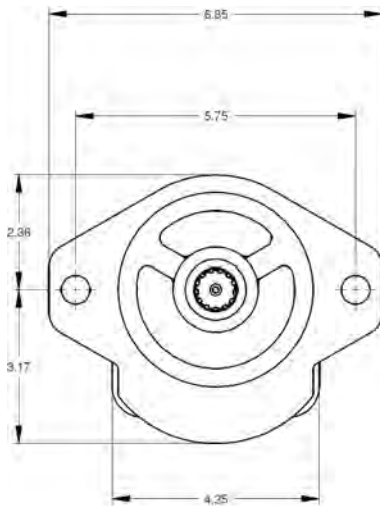
WPB 38 A 5 R

DISPLACEMENT CODE	CU. IN. / REV	CONTINUOUS PSI	RATED SPEED (RPM)	INLET PORT SIZE	OUTLET PORT SIZE	"A"	"B"
16	0.97	3600	3000	SAE #12	SAE #10	4.45	2.05
19	1.16	3600	3000	SAE #12	SAE #10	4.53	2.13
22	1.35	3600	3000	SAE #12	SAE #10	4.66	2.2
25	1.53	3600	3000	SAE #16	SAE #12	4.95	2.35
28	1.68	3600	3000	SAE #16	SAE #12	5.25	2.5
32	1.97	3300	3000	SAE #16	SAE #12	5.47	2.61
38	2.32	2900	2750	SAE #16	SAE #12	5.77	2.72
44	2.69	2450	2500	SAE #16	SAE #12	6.02	2.9

ROTATION (FACING END OF SHAFT)	
L	(COUNTER CLOCKWISE)
R	(CLOCKWISE)

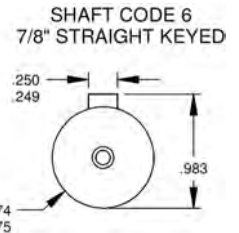
SHAFT CODE	SHAFT TYPE
5	SAE 13 TOOTH SPLINE
6	SAE 7/8" KEYED STRAIGHT

PORT LOCATION CODE	PORT LOCATION
A	SIDE INLET AND OUTLET
C	BOTH SIDE AND REAR PORTS W/ STEEL PLUGS
D	REAR INLET AND OUTLET



### SHAFT OPTIONS

SHAFT CODE 5  
SAE 13T SPLINE  
16/32 DP  
30° PA



## WPB Performance Data

MODEL		RPM						PRESSURE
		500	1000	1500	2000	2500	3000	(PSI)
WPB19	FLOW (GPM)	2.17	4.59	7.03	9.38	11.85	14.37	3600
	INPUT HP	6.13	12.27	18.40	24.53	30.67	36.80	
WPB22	FLOW (GPM)	2.49	5.27	8.09	10.78	13.63	16.53	
	INPUT HP	7.05	14.11	21.16	28.22	35.27	42.33	
WPB28	FLOW (GPM)	3.10	6.56	10.06	13.41	16.94	20.55	
	INPUT HP	8.77	17.54	26.31	35.08	43.85	52.62	
WPB32	FLOW (GPM)	3.64	7.70	11.80	15.74	19.89	24.12	
	INPUT HP	9.47	18.94	28.42	37.89	47.36	56.83	
WPB38	FLOW (GPM)	4.27	9.05	13.88	18.51	23.39		3000
	INPUT HP	9.69	19.37	29.06	38.74	48.43		
WPB44	FLOW (GPM)	4.96	10.50	16.10	21.47	27.13		2500
	INPUT HP	9.55	19.10	28.65	38.20	47.76		