

**TECHNICAL DATA**

Body Type	Line mount
Interface	None
Body Features	Ninety degree
Mounting Hole Diameter	.34 in.
Mounting Hole Depth	Through
Mounting Hole Quantity	2
Open Cavities	1
Cavity	T-8A
Port Size	SAE 4
Model Weight	0.57 lb.

**NOTES** *Important:* Carefully consider the maximum system pressure. The pressure rating of the manifold is dependent on the manifold material, with the port type/size a secondary consideration. Manifolds constructed of aluminum are not rated for pressures higher than 3000 psi (210 bar), regardless of the port type/size specified.

**PORT DESIGNATORS**

Modifiers	Ports
WFN, /S	All Ports: SAE 4;

**CONFIGURATION OPTIONS**

Model Code Example: WFN

**MODIFIER**

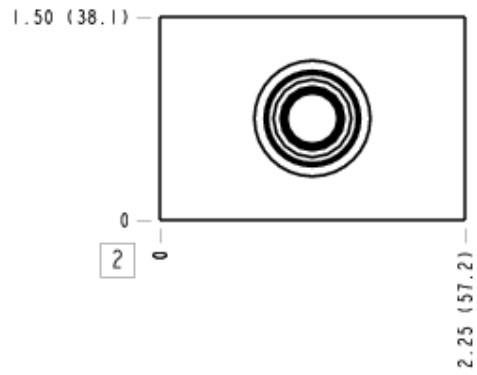
- 6061-T651 Aluminum, Buna-N
- /S 65-45-12 Ductile Iron, Buna-N, Blackened

**MANIFOLD FACES**

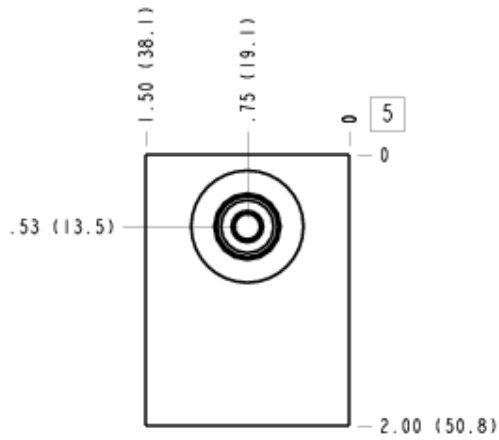
**FACE GRID**



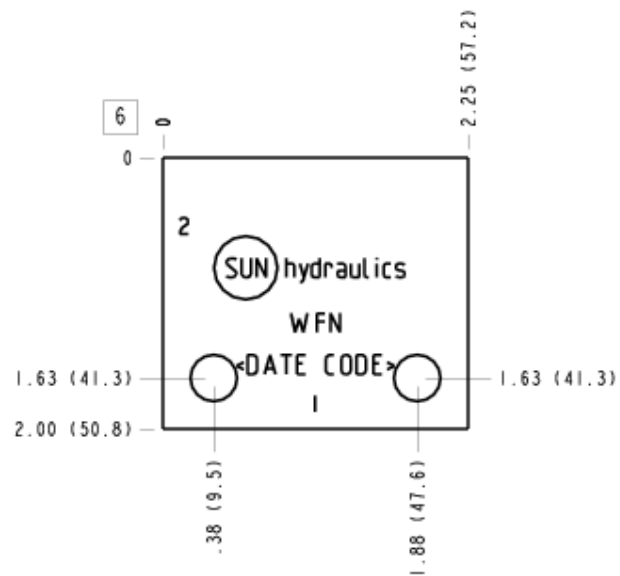
### Face 2



### Face 5



### Face 6



# Face 10

