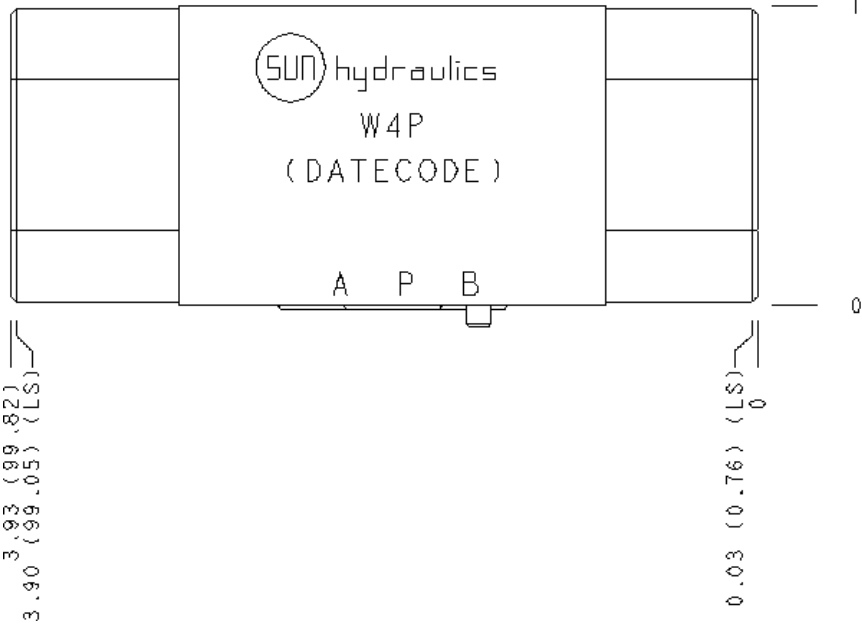
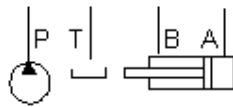


Flow Control, Meter-Out A and B



TECHNICAL DATA

Body Type	Sandwich
Interface	ISO 03 - 40mm
Body Features	Meter out A and B
Mounting Hole Diameter	.21 in.
Mounting Hole Depth	Through
Mounting Hole Quantity	4

NOTES *Important:* Carefully consider the maximum system pressure. The pressure rating of the manifold is dependent on the manifold material, with the port type/size a secondary consideration. Manifolds constructed of aluminum are not rated for pressures higher than 3000 psi (210 bar), regardless of the port type/size specified.

INCLUDED COMPONENTS

Part	Description	Quantity
500-001-012	O-Ring	4
811-001-006	Pin	1

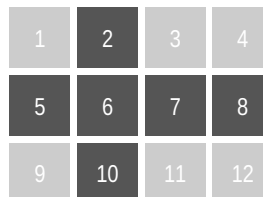
CONFIGURATION OPTIONS
Model Code Example: **W4P**

MODIFIER

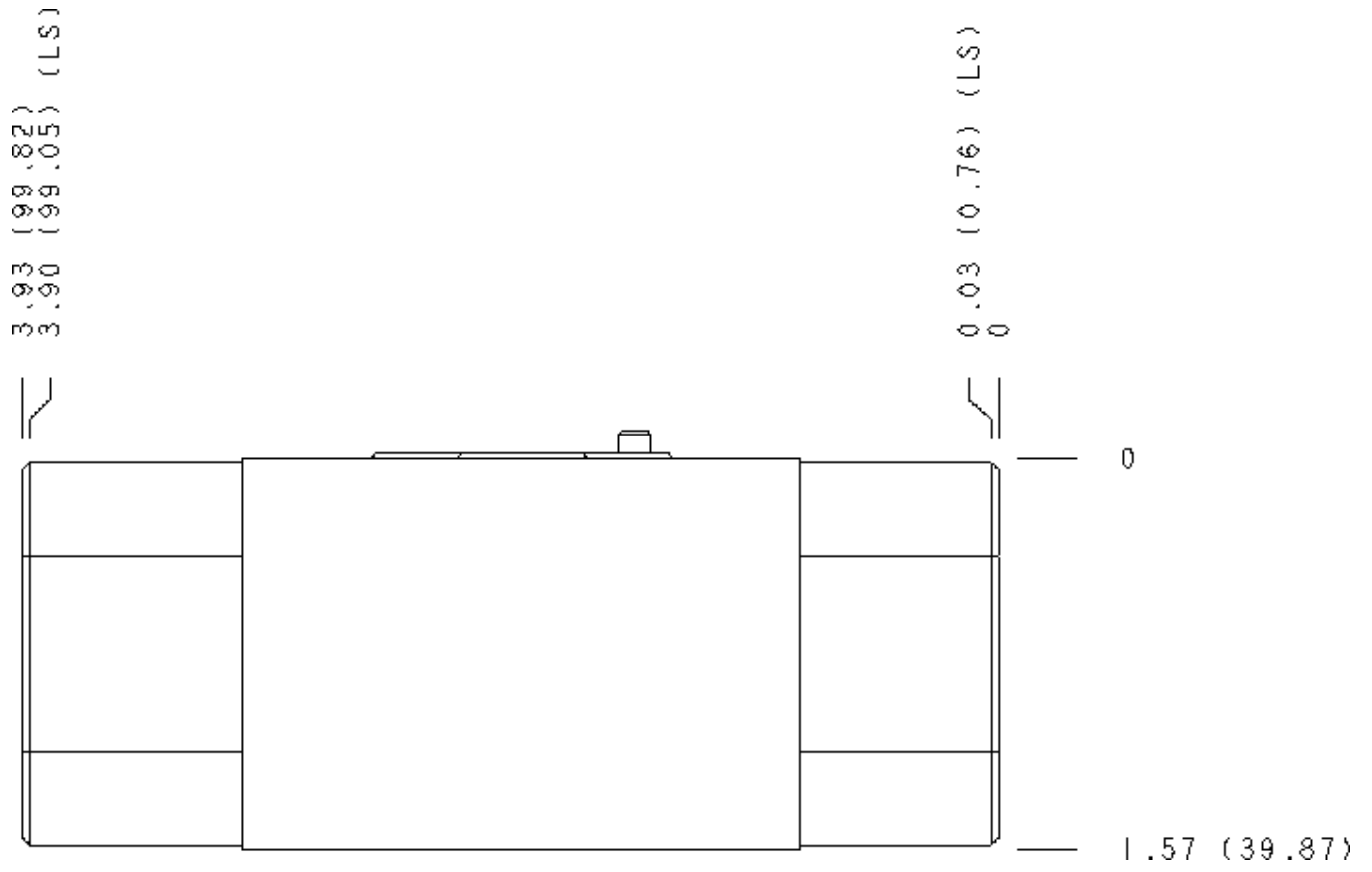
- 6061-T651 Aluminum, Buna-N**
- /S* 65-45-12 Ductile Iron, Buna-N, Blackened
- /V* 6061-T651 Aluminum, Viton
- /Y* 65-45-12 Ductile Iron, Viton, Blackened

MANIFOLD FACES

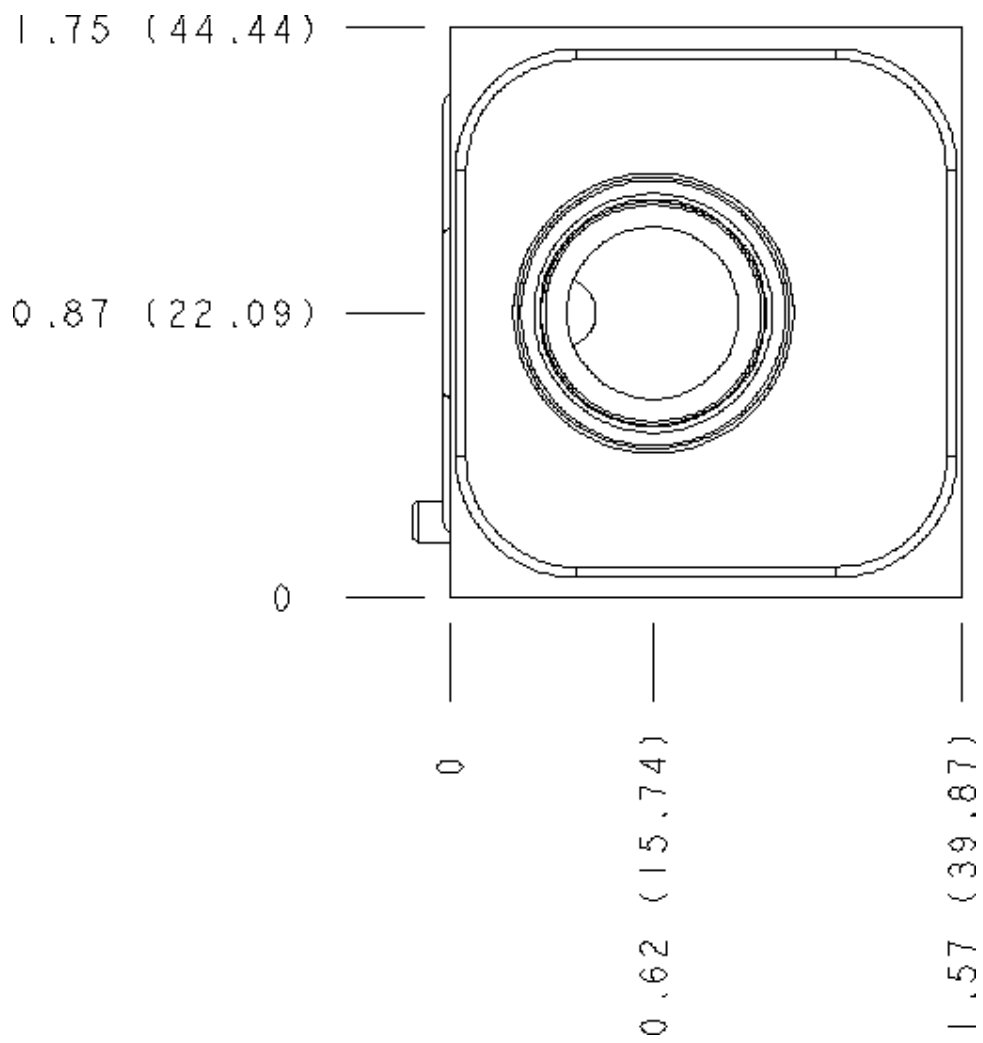
FACE GRID



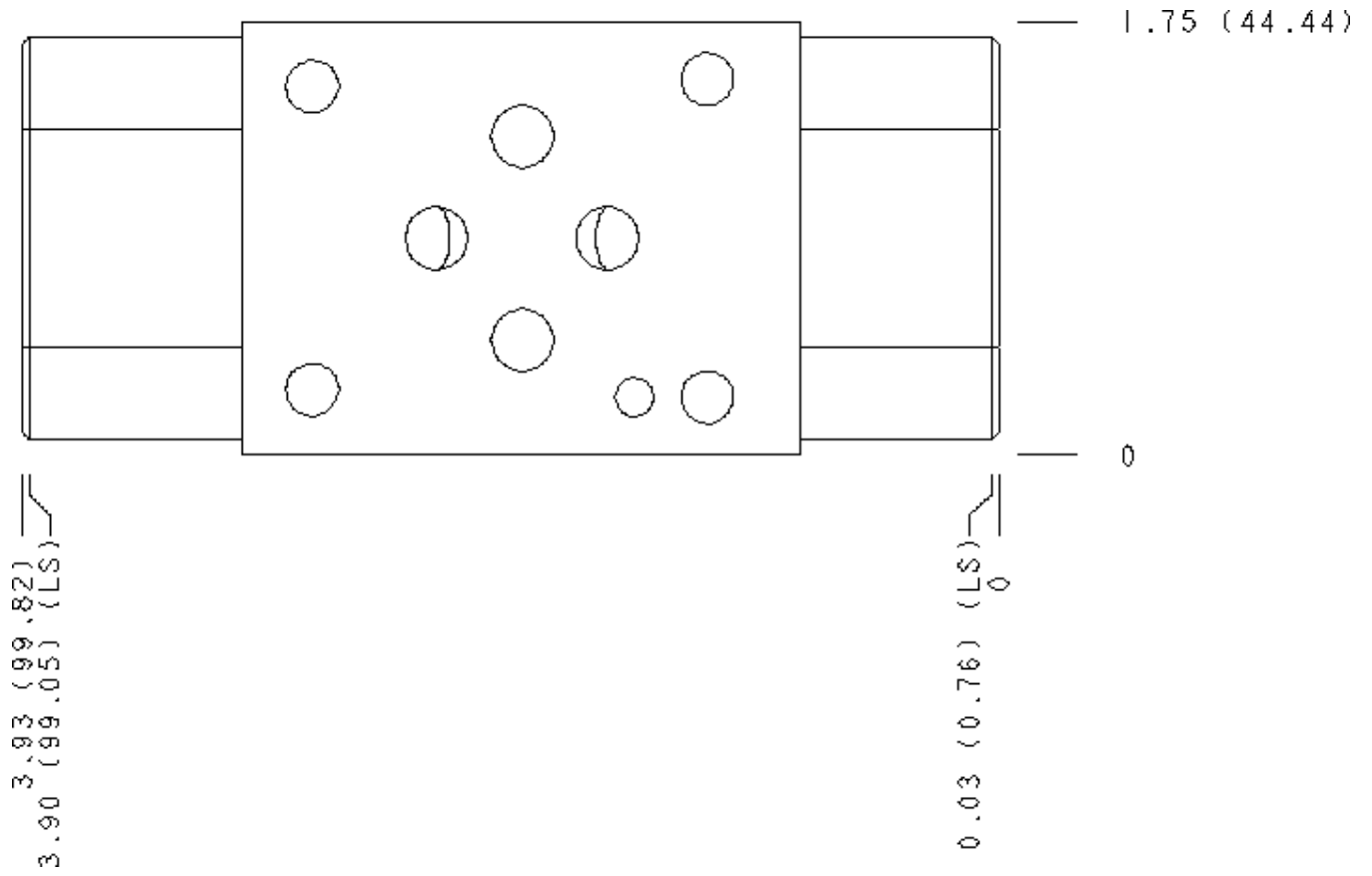
Face 2



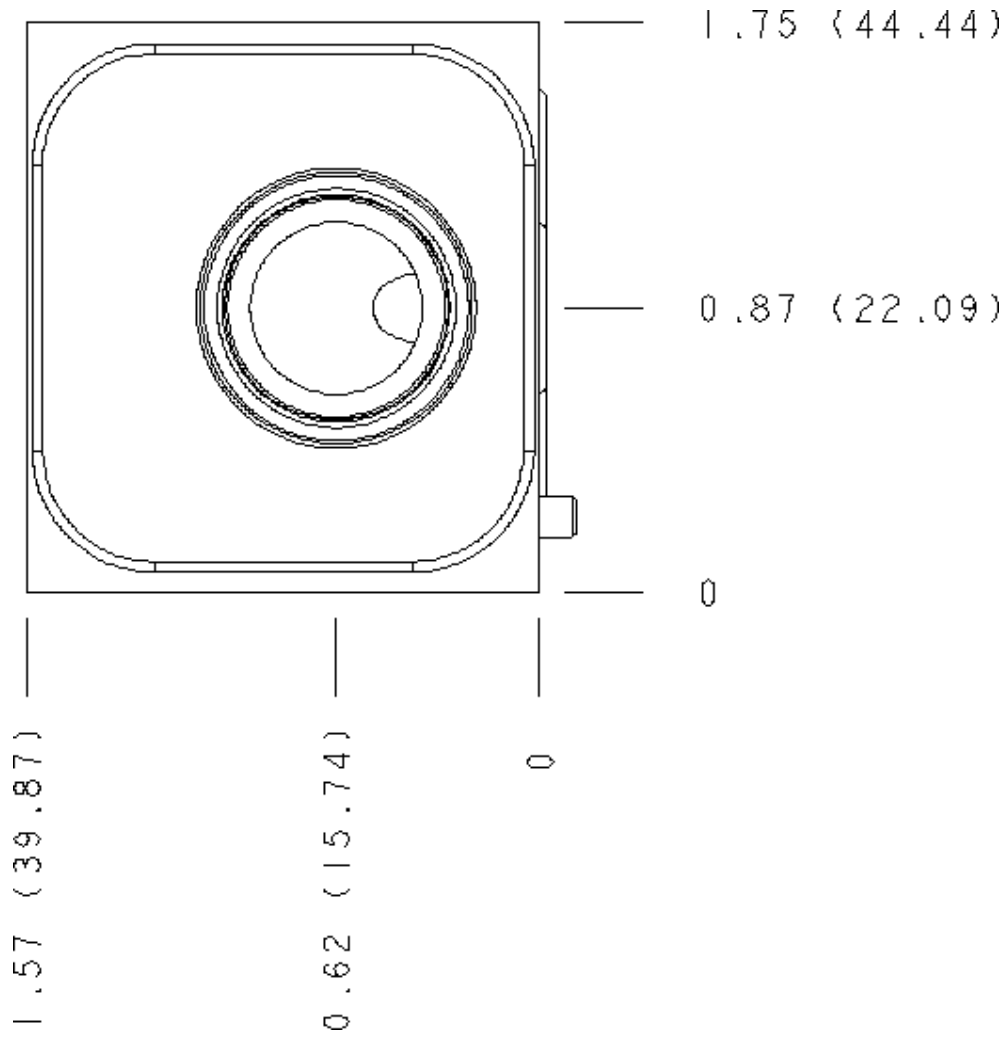
Face 5



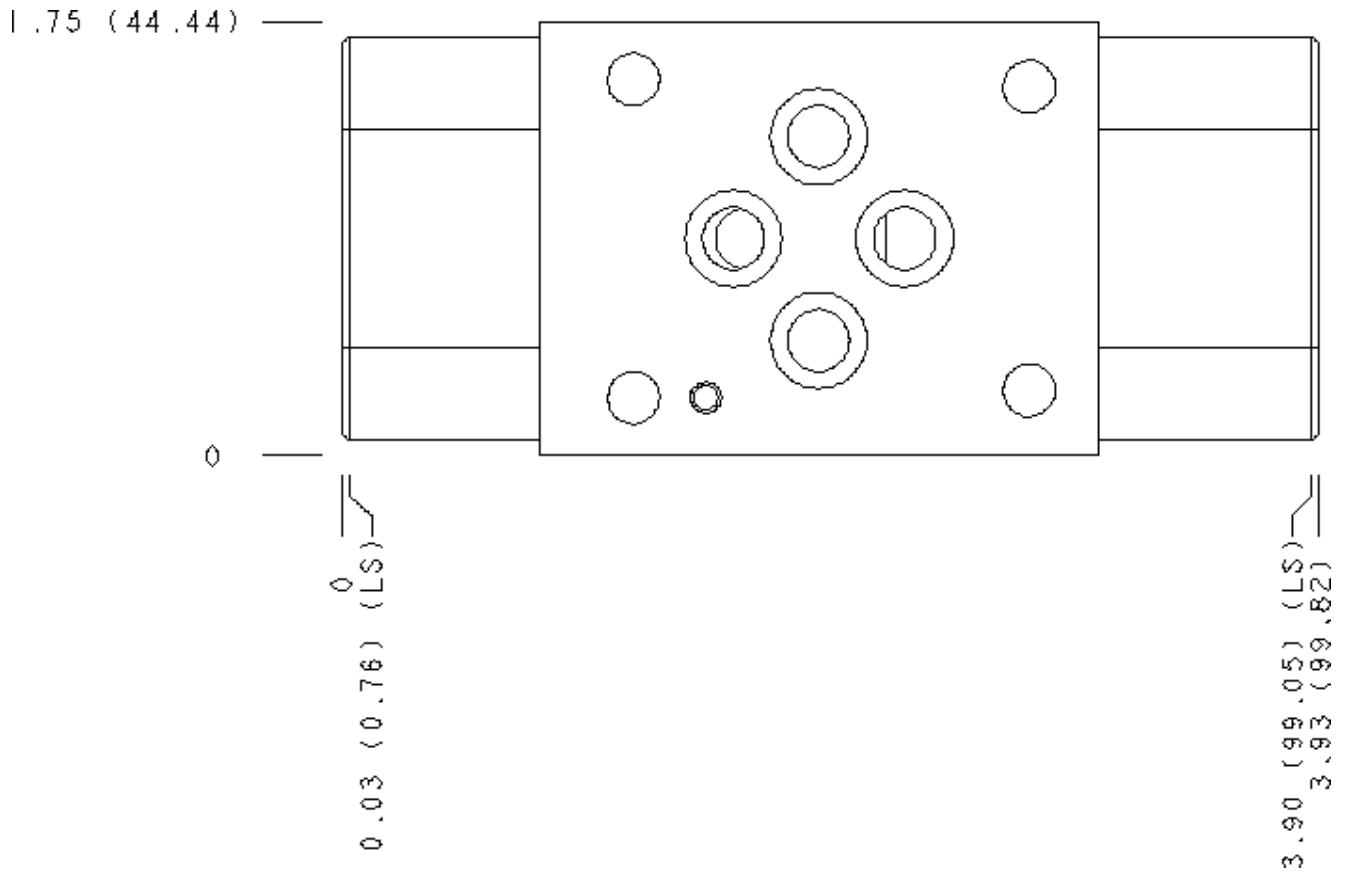
Face 6



Face 7



Face 8



Face 10

