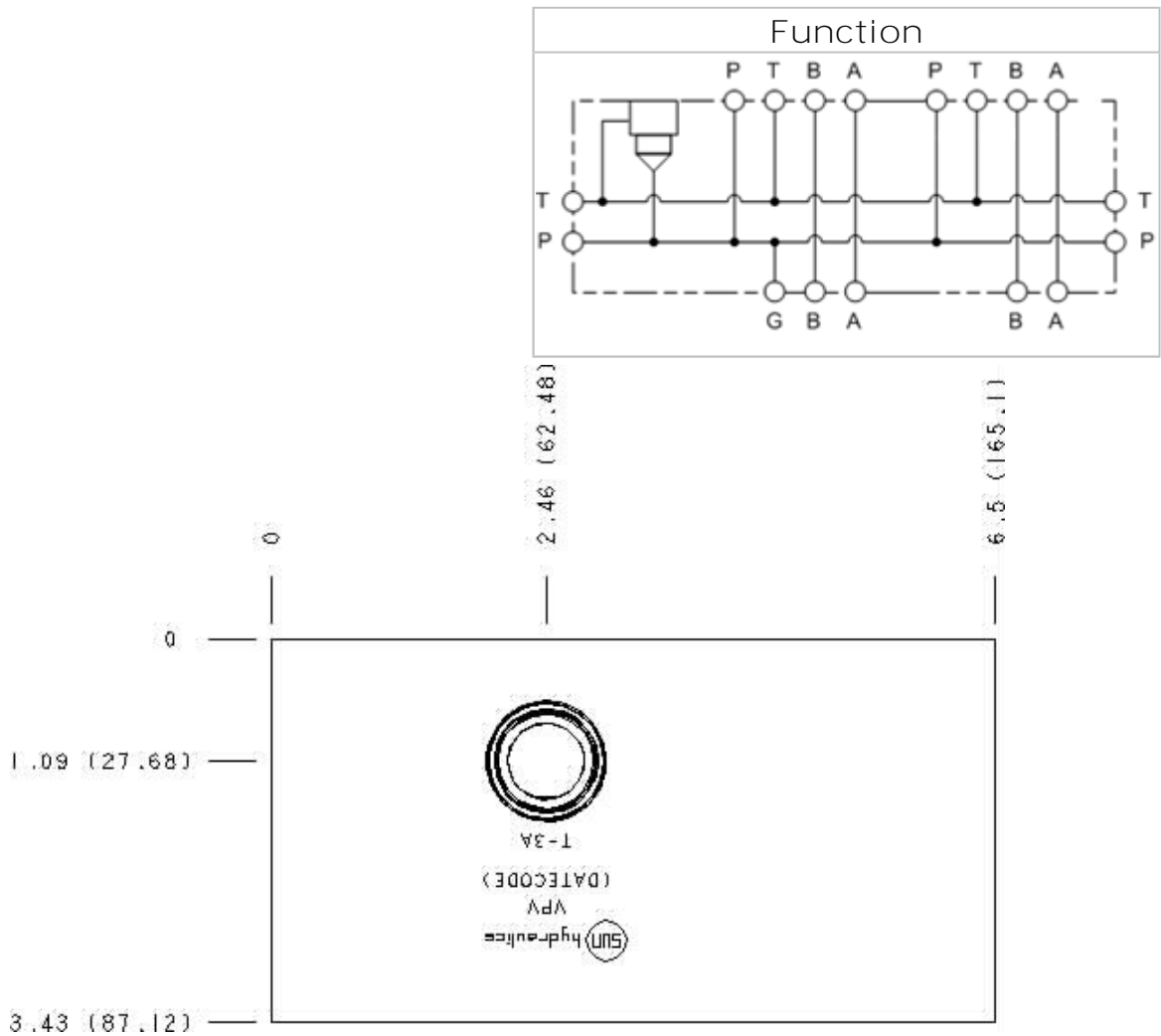


Functional Group:
 Products : Manifolds : Sandwich : Relief : ISO 05 : P to T

Model:
 VPV

Face: 2



Port Headings and Sizes

VPV	Ports A & B	SAE 8
VPV	Ports P & T	SAE 12
VPV	Gage Port	SAE 4

Technical Data

	U.S. Units	Metric Units
Cavity	T-3A	
Body Features	2 Station, Parallel circuit with relief cavity	
Body Type	Bar Manifold	
Interface	ISO 05	
Open Cavity Quantity	1	
Mounting Hole Thread	.312-18 UNC - 2B in.	
Mounting Hole Depth	.44 in.	11.1 mm
Mounting Hole Quantity	4	
Model Weight	6.09 lb.	2.76 kg.

Option Selection

U.S. Dollar ▼

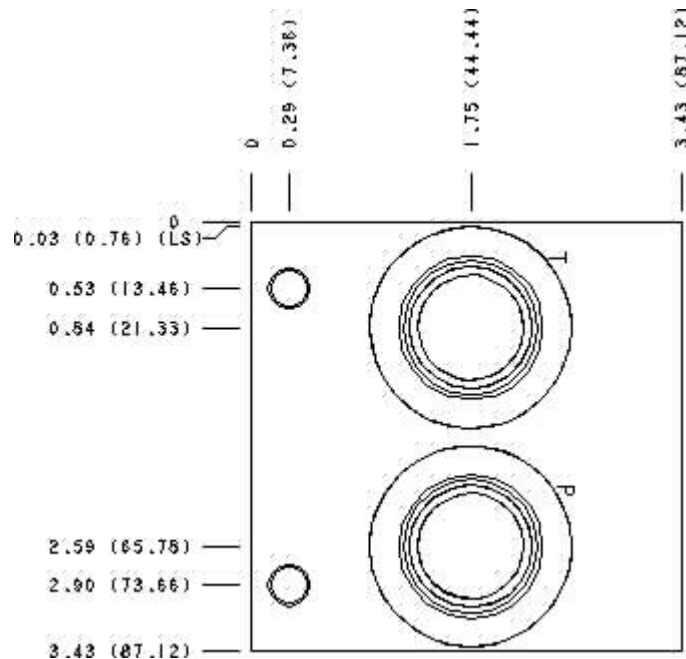
Aluminum Body Pressure Rating: 3000 psi (210 bar)
 Ductile Iron Body Pressure Rating: 5000 psi (350 bar)

Model Code	Description
VPV	Aluminum, Buna-N, U.S. Units
VPV/S	Ductile Iron, Buna-N, U.S. Units

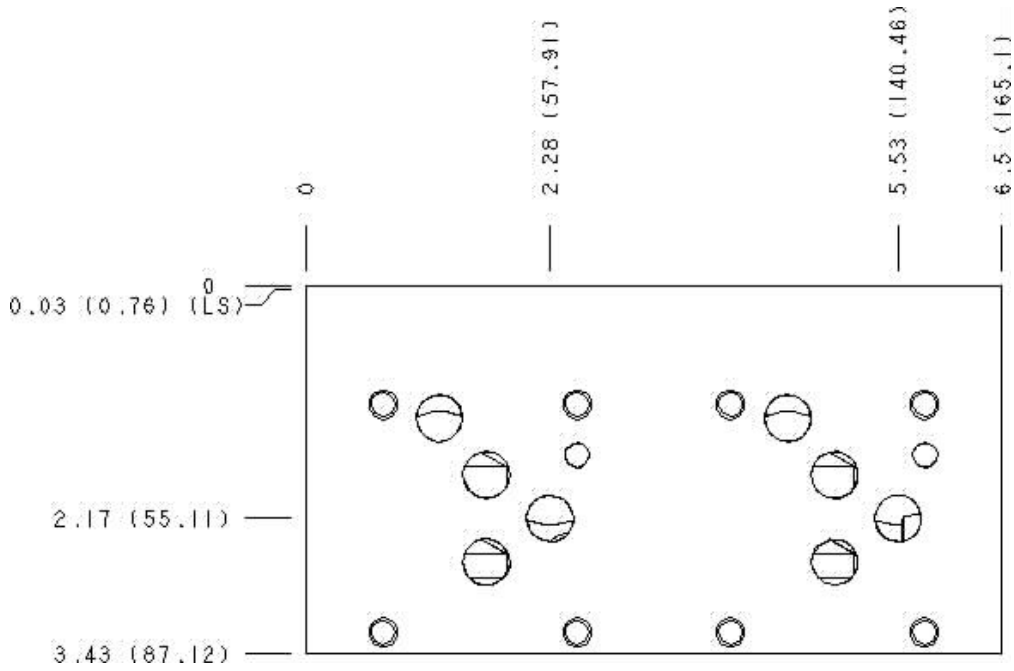
Special Notes

- For mounting bracket information, see catalog or drawing 991-020-***

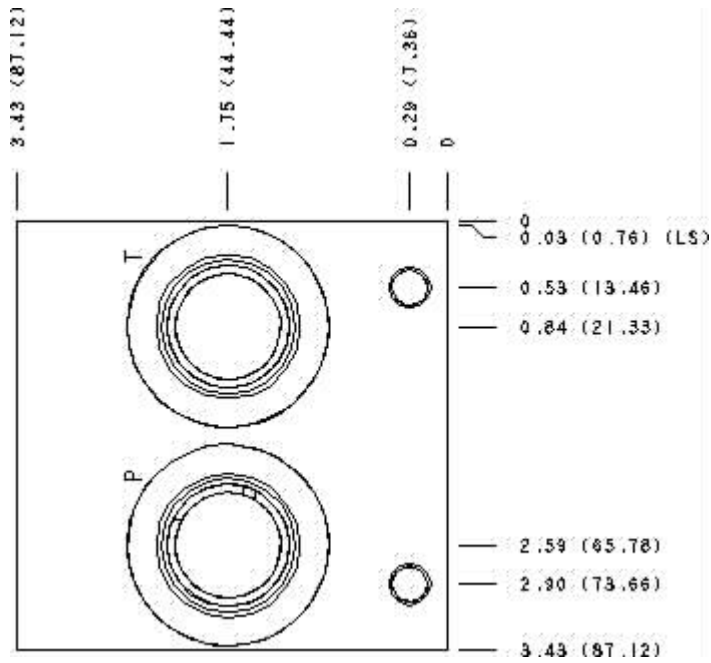
Face 5



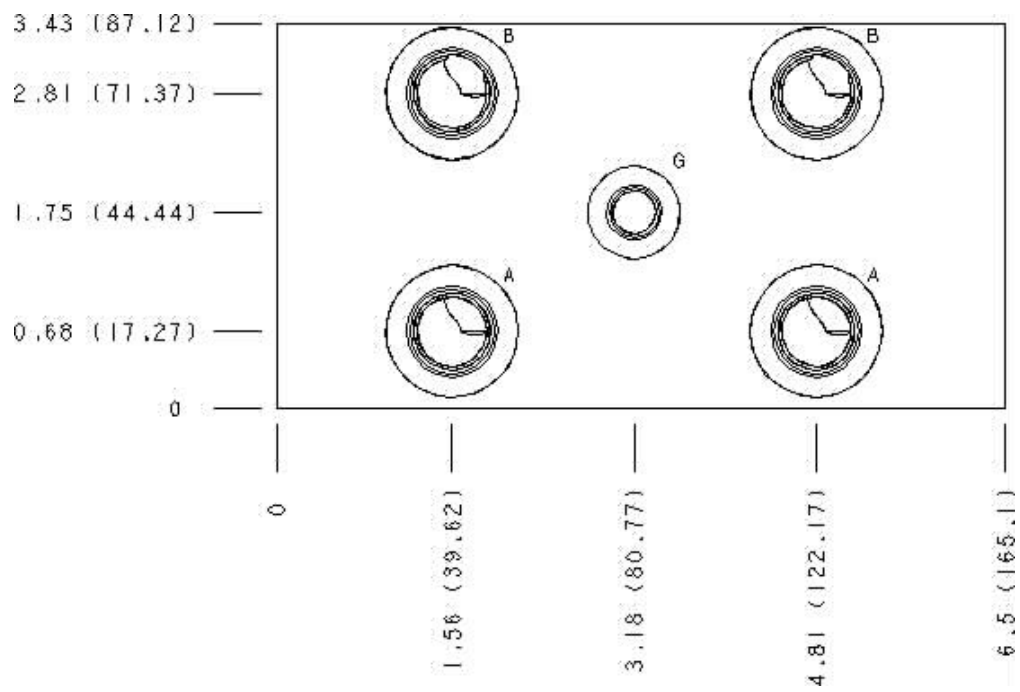
Face 6



Face 7



Face 10



| | | | |

Copyright © 2008-2009 Sun Hydraulics Corporation. All rights reserved.
 Terms and Conditions - ISO Certification - Statement of Privacy