

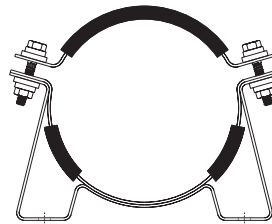
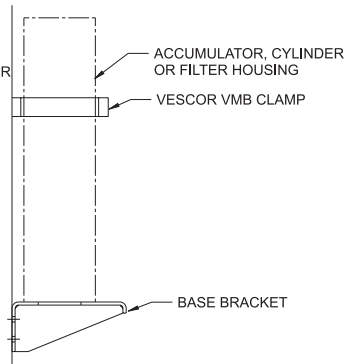
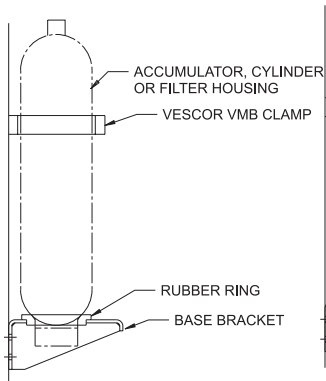
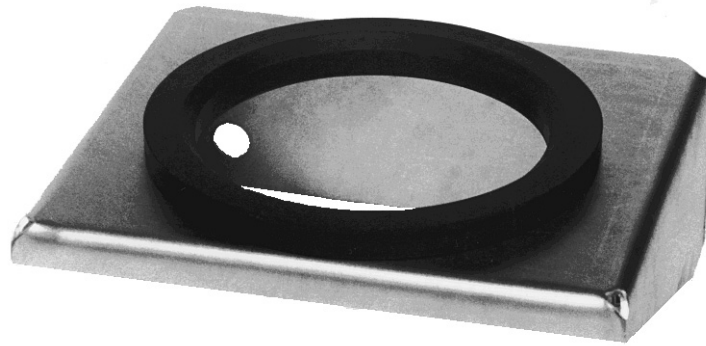


ACCUMULATOR BRACKETS/CLAMPS

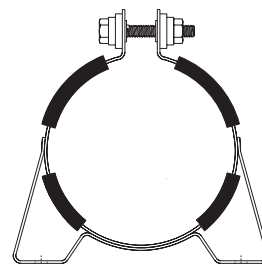
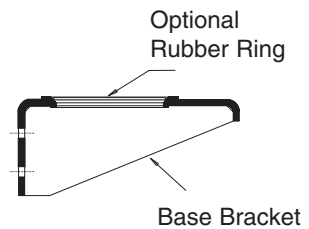
Vescor® Mounting Brackets have been designed to provide single yet secure mounting of accumulators, cylinders and filter housings at the place of installation.

Special features include:

- Rubber cushioning to reduce vibration and noise.
- Compensation for thermal expansion and contraction.
- Exclusively designed for all types of accumulators and filter housings.
- Painted to resist corrosion.
- Special sizes and designs are available on request.
- Optional rubber ring to accommodate bladder accumulators



Type 2



Type 1



ACCUMULATOR BRACKETS/CLAMPS

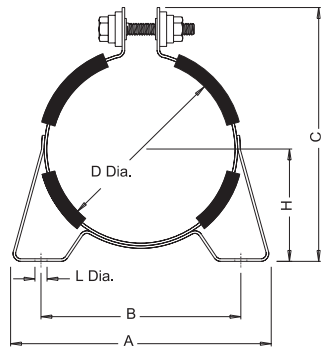
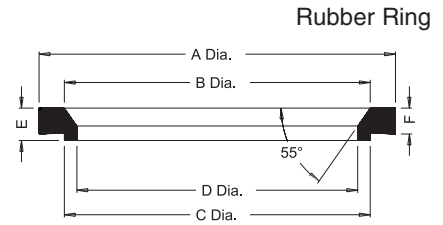
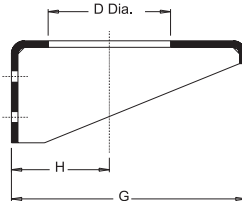
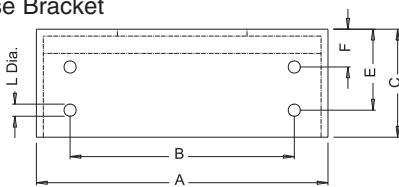
Specifications

Vescor Part Number	Dimensions in Inches							Weight lbs	
	A	B	C	D	H	K	L		
CLAMP – TYPE 1									
VMB-42	5.43	3.94	5.91	4.25	2.52	-	.35	1.18	1.6
VMB-45	5.35	3.94	6.50	4.49	2.87	-	.35	1.18	1.6
VMB-50	6.89	5.35	6.90	4.96	3.03	-	.35	1.18	1.8
VMB-57	6.69	5.35	7.52	5.75	3.27	-	.35	1.18	2.0
VMB-66	7.28	6.02	8.31	6.58	3.64	-	.35	1.18	2.0
VMB-87	10.00	8.50	10.47	8.74	4.72	-	.35	1.18	2.5
CLAMP – TYPE 2									
VMB-81	10.24	8.19	9.06	8.11	4.65	10.83	.59	1.58	3.5
VMB-84	10.63	8.50	9.37	8.39	4.84	11.22	.59	1.58	3.8
VMB-86	10.55	8.50	9.53	8.62	4.84	11.22	.59	1.58	3.8
VMB-89	10.63	8.50	9.57	8.90	4.84	11.61	.59	1.58	3.8
VMB-113	13.07	11.02	12.40	11.26	6.42	13.98	.59	1.58	4.7
VMB-122	13.07	11.02	13.15	12.21	6.69	14.96	.59	1.58	4.7
VMB-141	16.81	14.37	15.08	14.13	7.68	16.69	.59	1.58	5.5

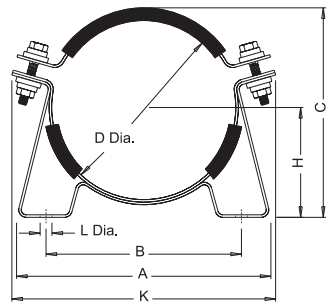
Vescor Part Number	Dimensions in Inches										Weight lbs.
	A	B	C	D	E	F	G	H	L		
BASE BRACKET											
VMB-47	10.24	7.87	3.94	4.72	2.95	1.38	8.86	3.62	.67	5.5	
VMB-53	10.63	7.09	3.94	5.31	3.15	1.57	9.84	4.84	.67	14.4	
VMB-67	10.24	7.87	3.94	6.69	2.95	1.38	8.86	4.84	.67	5.3	
VMB-75	13.00	8.66	7.87	7.48	5.51	2.36	13.39	6.69	.87	41.5	
VMB-83	15.35	10.63	9.45	8.31	7.09	2.36	15.35	7.68	.87	44.4	
RUBBER RING											
VMB-425	5.91	4.72	4.25	4.69	.79	.59	Use with VMB-47 Base Bracket				
VMB-625	7.87	6.69	6.26	6.65	.79	.59	Use with VMB-67 Base Bracket				
VMB-787	9.84	8.66	7.87	8.27	.98	.79	Use with VMB-83 Base Bracket				

(Note: Base Bracket and Rubber Rings must be ordered as separate items)

Base Bracket



Single Bolt Clamp Type 1



Double Bolt Clamp Type 2

Rubber Ring

Nominal diameter required for bladder accumulators

Accumulator Size	Vescor Clamp	Qty.	Dia. (in.)	Base Bracket
1.0 quart	VMB-45	1	4.5	-
2.0 quart	VMB-45	1	4.5	-
1.0 gallon	VMB-66	1	6.7	VMB-47
2.5 gallon	VMB-89	1	9.0	VMB-67
5.0 gallon	VMB-89	2	9.0	VMB-67
7.5 gallon	VMB-89	2	9.0	VMB-67
10 gallon	VMB-89	2	9.0	VMB-67
15 gallon	VMB-89	3	9.0	VMB-67
25 gallon	VMB-141	3	14.25	VMB-83
40 gallon	VMB-141	3	14.25	VMB-83

Note: All dimensions and weights are for general information only. Since products are in continual state of refinement, please verify all critical dimensions with our engineering department.

Nominal diameter required for piston type accumulators

Accumulator Size	Vescor Clamp	Qty.	Dia. (in.)	Base* Bracket
1.0 quart	VMB-45	1	4.5	-
2.0 quart	VMB-45	1	4.5	-
1.0 gallon	VMB-45	2	4.5	-
1.0 gallon	VMB-57	2	5.5	-
1.0 gallon	VMB-66	1	7.0	VMB-47
1.5 gallon	VMB-45	2	4.5	-
1.5 gallon	VMB-57	2	5.5	-
1.5 gallon	VMB-66	1	7.0	VMB-47
2.0 gallon	VMB-45	2	4.5	-
2.5 gallon	VMB-57	2	5.5	-
2.5 gallon	VMB-66	1	7.0	VMB-47
2.5 gallon	VMB-81	1	8.0	VMB-67
3.0 gallon	VMB-57	2	5.5	-
3.0 gallon	VMB-66	1	7.0	VMB-47
3.0 gallon	VMB-81	1	8.0	VMB-67
4.0 gallon	VMB-57	3	5.5	-
4.0 gallon	VMB-66	1	7.0	VMB-47

Note: *No Rubber Ring

Accumulator Size	Vescor Clamp	Qty.	Dia. (in.)	Base* Bracket
4.0 gallon	VMB-81	1	8.0	VMB-67
5.0 gallon	VMB-57	3	5.5	-
5.0 gallon	VMB-66	2	7.0	VMB-47
5.0 gallon	VMB-81	1	8.0	VMB-67
5.0 gallon	VMB-89	1	9.0	VMB-47
7.5 gallon	VMB-66	2	7.0	VMB-67
7.5 gallon	VMB-81	2	8.0	VMB-67
7.5 gallon	VMB-89	1	9.0	VMB-67
10.0 gallon	VMB-81	2	8.0	VMB-67
10.0 gallon	VMB-89	2	9.0	VMB-67
15.0 gallon	VMB-81	2	8.0	VMB-67
15.0 gallon	VMB-69	2	9.0	VMB-67
17.5 gallon	VMB-89	3	9.0	VMB-67
20.0 gallon	VMB-81	3	8.0	VMB-67
20.0 gallon	VMB-89	3	9.0	VMB-67
23.0 gallon	VMB-89	3	9.0	VMB-67
25.0 gallon	VMB-89	4	9.0	VMB-67