

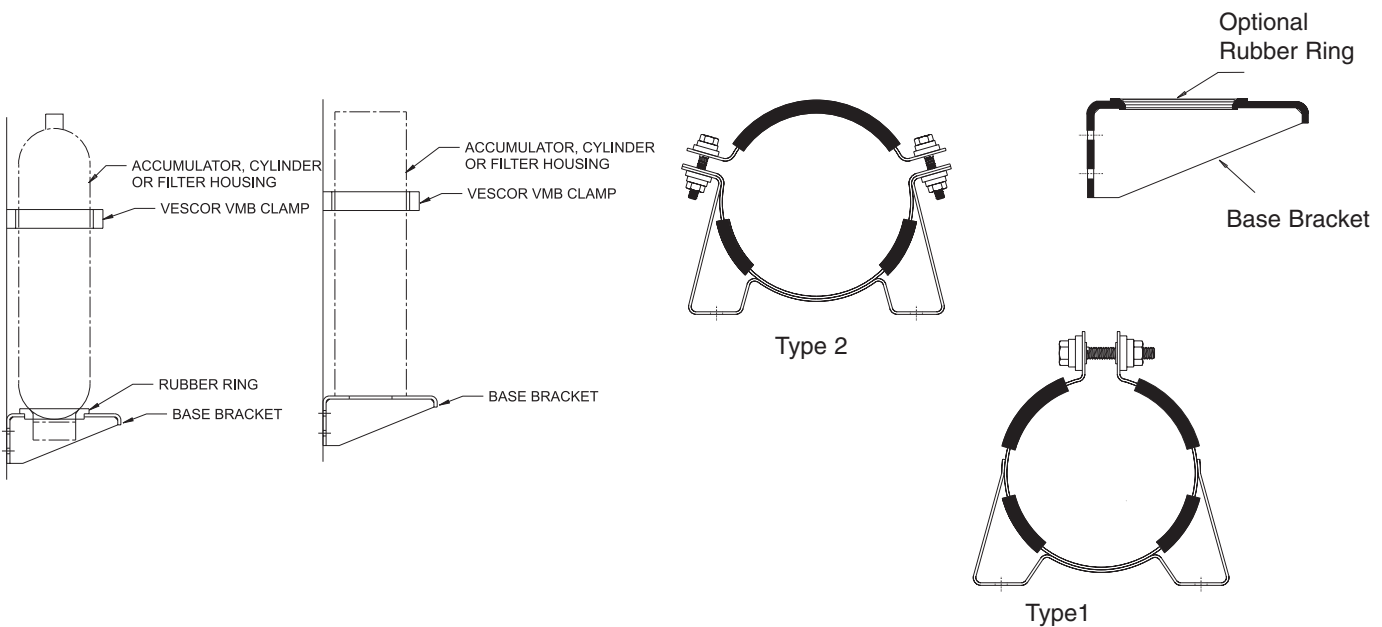
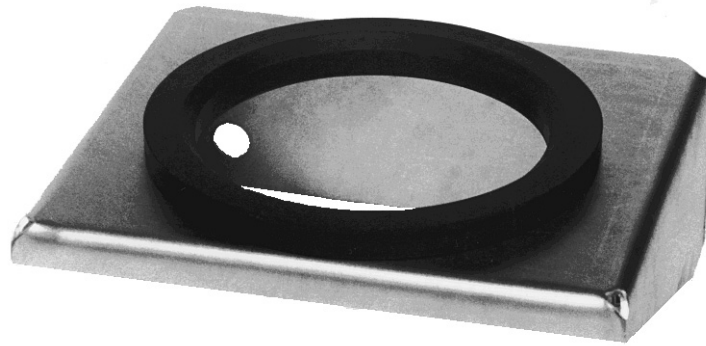


# ACCUMULATOR BRACKETS/CLAMPS

Vescor® Mounting Brackets have been designed to provide single yet secure mounting of accumulators, cylinders and filter housings at the place of installation.

**Special features include:**

- Rubber cushioning to reduce vibration and noise.
- Compensation for thermal expansion and contraction.
- Exclusively designed for all types of accumulators and filter housings.
- Painted to resist corrosion.
- Special sizes and designs are available on request.
- Optional rubber ring to accommodate bladder accumulators





# ACCUMULATOR BRACKETS/CLAMPS

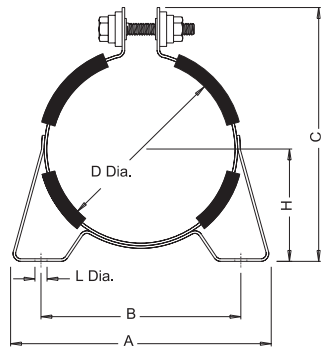
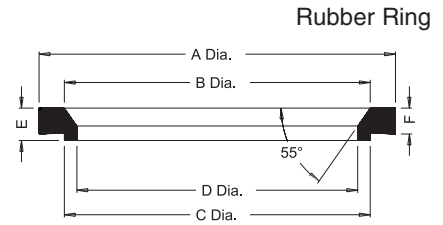
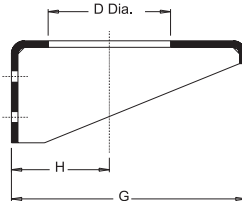
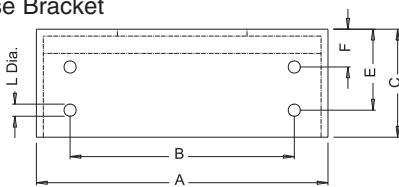
## Specifications

Vescor Part Number	Dimensions in Inches							Weight lbs	
	A	B	C	D	H	K	L		
<b>CLAMP – TYPE 1</b>									
VMB-42	5.43	3.94	5.91	4.25	2.52	-	.35	1.18	1.6
VMB-45	5.35	3.94	6.50	4.49	2.87	-	.35	1.18	1.6
VMB-50	6.89	5.35	6.90	4.96	3.03	-	.35	1.18	1.8
VMB-57	6.69	5.35	7.52	5.75	3.27	-	.35	1.18	2.0
VMB-66	7.28	6.02	8.31	6.58	3.64	-	.35	1.18	2.0
VMB-87	10.00	8.50	10.47	8.74	4.72	-	.35	1.18	2.5
<b>CLAMP – TYPE 2</b>									
VMB-81	10.24	8.19	9.06	8.11	4.65	10.83	.59	1.58	3.5
VMB-84	10.63	8.50	9.37	8.39	4.84	11.22	.59	1.58	3.8
VMB-86	10.55	8.50	9.53	8.62	4.84	11.22	.59	1.58	3.8
VMB-89	10.63	8.50	9.57	8.90	4.84	11.61	.59	1.58	3.8
VMB-113	13.07	11.02	12.40	11.26	6.42	13.98	.59	1.58	4.7
VMB-122	13.07	11.02	13.15	12.21	6.69	14.96	.59	1.58	4.7
VMB-141	16.81	14.37	15.08	14.13	7.68	16.69	.59	1.58	5.5

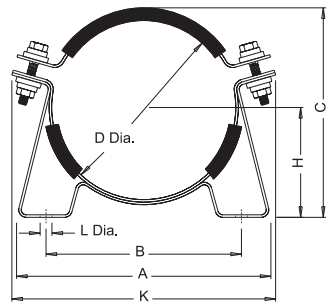
Vescor Part Number	Dimensions in Inches										Weight lbs.
	A	B	C	D	E	F	G	H	L		
<b>BASE BRACKET</b>											
VMB-47	10.24	7.87	3.94	4.72	2.95	1.38	8.86	3.62	.67	5.5	
VMB-53	10.63	7.09	3.94	5.31	3.15	1.57	9.84	4.84	.67	14.4	
VMB-67	10.24	7.87	3.94	6.69	2.95	1.38	8.86	4.84	.67	5.3	
VMB-75	13.00	8.66	7.87	7.48	5.51	2.36	13.39	6.69	.87	41.5	
VMB-83	15.35	10.63	9.45	8.31	7.09	2.36	15.35	7.68	.87	44.4	
<b>RUBBER RING</b>											
VMB-425	5.91	4.72	4.25	4.69	.79	.59	Use with VMB-47 Base Bracket				
VMB-625	7.87	6.69	6.26	6.65	.79	.59	Use with VMB-67 Base Bracket				
VMB-787	9.84	8.66	7.87	8.27	.98	.79	Use with VMB-83 Base Bracket				

(Note: Base Bracket and Rubber Rings must be ordered as separate items)

### Base Bracket



Single Bolt Clamp Type 1



Double Bolt Clamp Type 2

### Rubber Ring

#### Nominal diameter required for bladder accumulators

Accumulator Size	Vescor Clamp	Qty.	Dia. (in.)	Base Bracket
1.0 quart	VMB-45	1	4.5	-
2.0 quart	VMB-45	1	4.5	-
1.0 gallon	VMB-66	1	6.7	VMB-47
2.5 gallon	VMB-89	1	9.0	VMB-67
5.0 gallon	VMB-89	2	9.0	VMB-67
7.5 gallon	VMB-89	2	9.0	VMB-67
10 gallon	VMB-89	2	9.0	VMB-67
15 gallon	VMB-89	3	9.0	VMB-67
25 gallon	VMB-141	3	14.25	VMB-83
40 gallon	VMB-141	3	14.25	VMB-83

Note: All dimensions and weights are for general information only. Since products are in continual state of refinement, please verify all critical dimensions with our engineering department.

#### Nominal diameter required for piston type accumulators

Accumulator Size	Vescor Clamp	Qty.	Dia. (in.)	Base* Bracket
1.0 quart	VMB-45	1	4.5	-
2.0 quart	VMB-45	1	4.5	-
1.0 gallon	VMB-45	2	4.5	-
1.0 gallon	VMB-57	2	5.5	-
1.0 gallon	VMB-66	1	7.0	VMB-47
1.5 gallon	VMB-45	2	4.5	-
1.5 gallon	VMB-57	2	5.5	-
1.5 gallon	VMB-66	1	7.0	VMB-47
2.0 gallon	VMB-45	2	4.5	-
2.5 gallon	VMB-57	2	5.5	-
2.5 gallon	VMB-66	1	7.0	VMB-47
2.5 gallon	VMB-81	1	8.0	VMB-67
3.0 gallon	VMB-57	2	5.5	-
3.0 gallon	VMB-66	1	7.0	VMB-47
3.0 gallon	VMB-81	1	8.0	VMB-67
4.0 gallon	VMB-57	3	5.5	-
4.0 gallon	VMB-66	1	7.0	VMB-47

Note: \*No Rubber Ring

Accumulator Size	Vescor Clamp	Qty.	Dia. (in.)	Base* Bracket
4.0 gallon	VMB-81	1	8.0	VMB-67
5.0 gallon	VMB-57	3	5.5	-
5.0 gallon	VMB-66	2	7.0	VMB-47
5.0 gallon	VMB-81	1	8.0	VMB-67
5.0 gallon	VMB-89	1	9.0	VMB-47
7.5 gallon	VMB-66	2	7.0	VMB-67
7.5 gallon	VMB-81	2	8.0	VMB-67
7.5 gallon	VMB-89	1	9.0	VMB-67
10.0 gallon	VMB-81	2	8.0	VMB-67
10.0 gallon	VMB-89	2	9.0	VMB-67
15.0 gallon	VMB-81	2	8.0	VMB-67
15.0 gallon	VMB-69	2	9.0	VMB-67
17.5 gallon	VMB-89	3	9.0	VMB-67
20.0 gallon	VMB-81	3	8.0	VMB-67
20.0 gallon	VMB-89	3	9.0	VMB-67
23.0 gallon	VMB-89	3	9.0	VMB-67
25.0 gallon	VMB-89	4	9.0	VMB-67