



PRODUCT LISTING

Reservoir Section

Reservoir Information	1-2
Installed Couplings and Return Lines	3
J.I.C. Type Reservoirs Style A	4-5
J.I.C. Jumbo Reservoirs	6
J.I.C. Type Reservoirs Style B	7
J.I.C. Type Reservoirs Style RB (Removable Baffle)	8
J.I.C. Type Reservoirs Style RT (Removable Top)	9
J.I.C. Type Reservoirs Style RT (Cover Plates)	10
“L” Shaped Reservoirs Style C	11
“L” Shaped Reservoirs Style D	12
“L” Shaped Reservoirs Style F	13
“T” Shaped Reservoirs	14
D.I.N. Type Reservoirs	15-18
Vertical Non-J.I.C. Type Reservoirs	19, 21
Cover Plates	20, 22
Dual Vertical Non-J.I.C. Type Reservoirs	23
Horizontal Non-J.I.C. Type Reservoirs	24-26
Vari-Pak Reservoirs	27-29
Custom Reservoirs	30
Aluminum Reservoirs	31-32
Containment Trays and Stands	33-34
Overhead Reservoir Bases	35-39

Hydraulic Accessories Section

Motor Base Plates	40
Mounting Plates and Coupling Guards	41
Sight Gauges	42
Tank Magnets	43-44
Suction/Return Flanges, Grommets & Risers	45-47
Filler/Air Breathers	48-56

Hydraulic Accessories Section (continued)

Accumulator Brackets & Clamps	57-58
End Covers	59-61
Heaters/Coolers	62-64
SAE Couplings	65-67
SAE Flanges	68-76
Cushion Clamps	77-80
Gear Pumps	81-84
Strainers/Diffusers	85-88
Pressure Gauges	89-90
Ball Valves	91-93
Hydraulic Filters	94-120
Clogging Indicators	121-122
Replacements Parts	123-124

Pump Motor Adapter / Dampening Flange Section

Adapters for Electric Motors	125-141
Motor Spacers	142
Vertical Mounting Rings	143
Vertical Dampening Rings	144
Vertical Info/Selection Guide	145-146
Foot Mount Brackets	147-148
Dampening Flanges	149-155
Adapter Program	156
Dampening Bars	157-160
Gas Engine Adapters	161-166
Flexible Jaw Couplings	167-179
Flexible Drive Couplings	180-184

New Product Section

Needle Valves/Flow Controls	185-187
-----------------------------	---------



FACTS TO CONSIDER ON HYDRAULIC RESERVOIRS

SIZING

Folklore rules of thumb proclaim that the reservoir should be from 2 to 5 times the size of the pump GPM. For example: a 20 GPM pump should have a reservoir of 40 to 100 gallon capacity. However, this rule of thumb may not necessarily be true, especially if heat exchangers are used. With a heat exchanger the reservoir could be as small as one times the size of the pump GPM. Some closed loop systems require virtually no reservoir at all.

The accurate method for sizing a reservoir is to determine the heat balance for your hydraulic system. Try to accurately determine the amount of heat that will be generated through lost work, then determine the reservoir space available and how much heat can be dissipated in that space. From these calculations the necessity and size of the heat exchanger and the proper size of the reservoir can be determined.

INDOOR or OUTDOOR

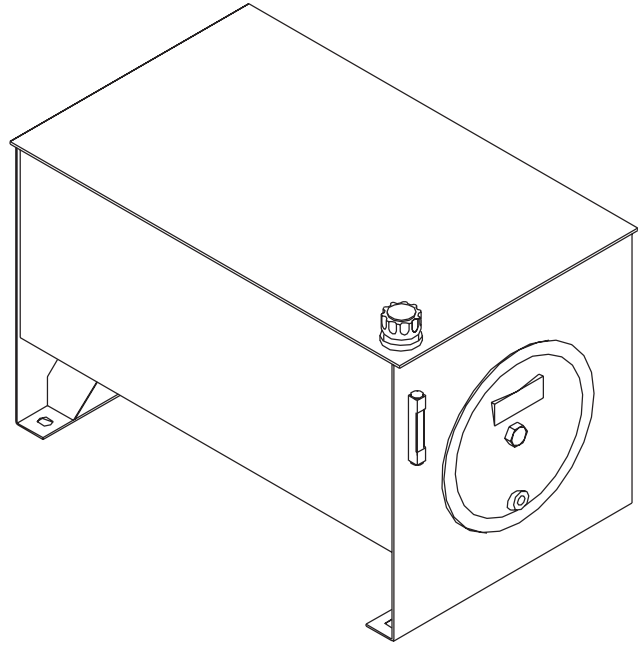
Reservoirs for indoor service usually have rubber grommets in the top plates for sealing suction and return lines. These grommets are not water tight. For outdoor reservoirs, welded couplings are used to seal the suction and return lines from weather and foreign fluids. For reservoirs requiring wash downs, welded couplings should also be used to prevent wash fluids from entering the tank.

Tank heaters are essential in cold climates. The most common heaters used are electrical immersion heaters. Most of them require a welded coupling in the tank side for installation. Sizing of the immersion heaters falls into two categories.

1. Sizing the immersion heater for maintaining the oil temperature when the pump is not running.

For sizing the immersion heater to maintain the oil temperature, calculate the total surface area of the tank (include all four sides plus top and bottom) in square feet. Then use the following approximate formula for heat transfer between a steel surface and surrounding air:

$$WATTS = 0.01 \times \text{AREA OF TANK (SQUARE FEET)} \times \text{TEMPERATURE DIFFERENCE(°F)}$$



2. Sizing the immersion heater to heat the hydraulic oil to pump suction temperature requirements in a given time.

For sizing the immersion heater to heat the hydraulic oil. Use the following rule of thumb:

ONE WATT WILL HEAT ONE GALLON ONE °F IN ONE HOUR

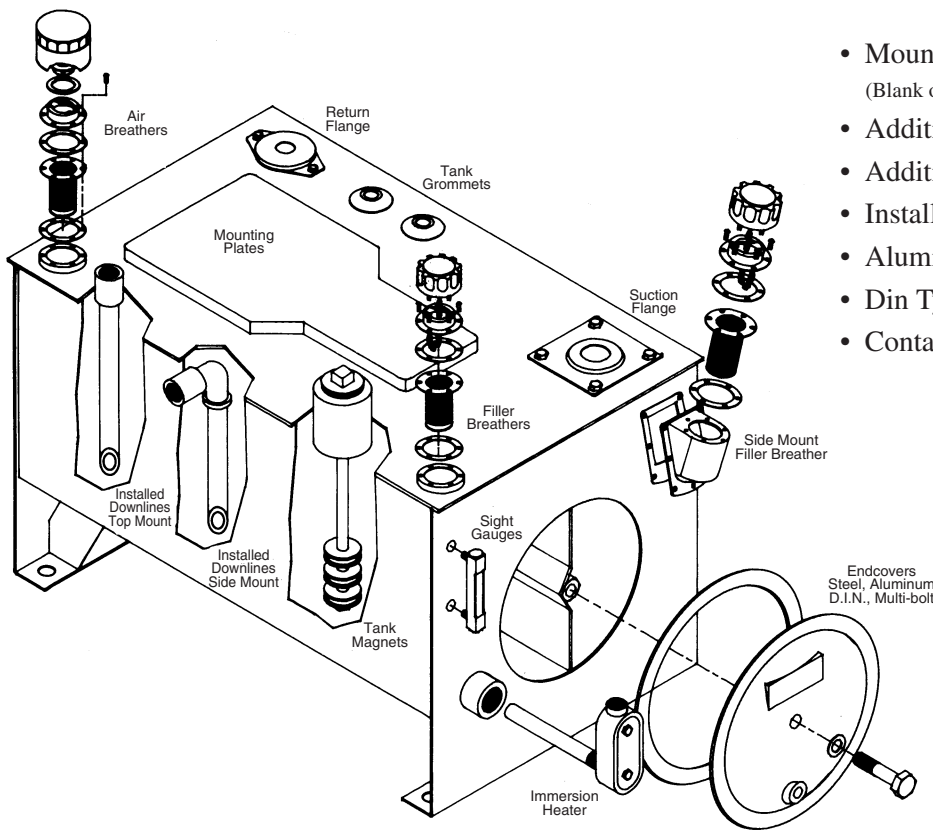
Location of the reservoir is important. Adequate air circulation should be provided. For outdoor location, shield the tank from direct sun radiation and protect it from weather, if possible. For indoor location shield the tank from furnace and steam lines and other radiation. The reservoir can be painted white to help reflect radiant heat or painted black to help radiate heat from tank to atmosphere.

You will note that no discussion of the sizing of cooling heat exchangers is given here. Most full line hydraulic manufacturers and distributors have complete data for sizing. If you require information for your specific needs and cannot obtain assistance, contact us and we will help you.



VESCOR RESERVOIRS

AVAILABLE OPTIONS FROM VESCOR®



- Mounting Plates
(Blank or Drilled and Tapped to your specifications)
- Additional Sight Gauges
- Additional Filler Breathers
- Installed Couplings
- Aluminum Endcovers
- Din Type Endcovers
- Containment Trays/Stand

IMPORTANT FEATURES / STANDARD EQUIPMENT

- All VESCOR J.I.C. Reservoirs meet all J.I.C., N.F.P.A., and A.S.L.E. standards
- All VESCOR Reservoirs are skillfully fabricated from hot rolled steel plate and sheet. All steel is pickled and oiled which eliminates the need for sandblasting.
- Stationery baffles are properly slotted providing correct oil circulation.
- Single bolt endcovers provide the maximum opening for cleanout of reservoir.
- All VESCOR Reservoirs include sight gauge with thermometer and filler breather as standard equipment.
- Endcovers include bayonet gasket for positive seal.
- Reservoir exterior prime painted.

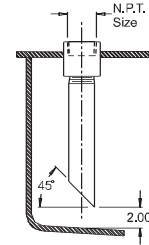
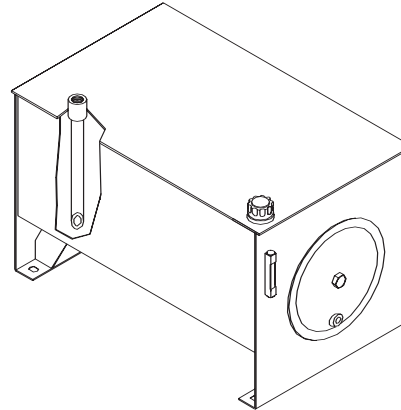


INSTALLED COUPLINGS and RETURN LINES

Basic Top Mount

Benefits:

- Customer specified locations
- Customer specified sizes
- No cutting of holes to install couplings
- Low cost
- Rapid assembly of power unit

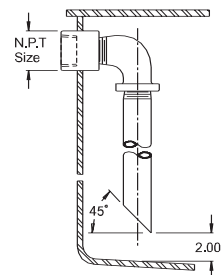
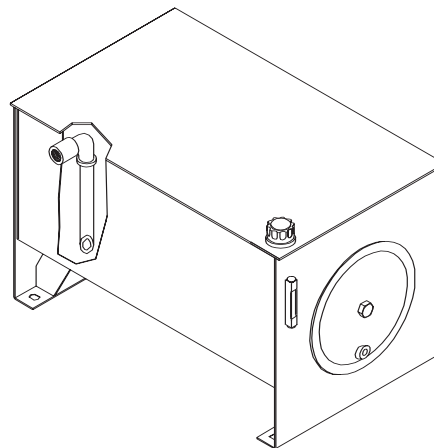


Reservoir Size (gals)	Return Lines Available with Schedule 40 Pipe							
	1/2" NPT #8 SAE	3/4" NPT #10 SAE	1" NPT #12 SAE	1-1/4" NPT #14 SAE	1-1/2" NPT #16 SAE	2" NPT #20 SAE	2-1/2" NPT #24 SAE	3" NPT #32 SAE
10 to 20	•	•	•					
30 to 40	•	•	•	•				
50 to 60	•	•	•	•	•			
80 to 100		•	•	•	•	•		
120 to 150			•	•	•	•	•	
200 and up			•	•	•	•	•	•

Basic Side Mount

Benefits:

- Customer specified locations
- Customer specified sizes
- No cutting of holes to install couplings
- Low cost
- Rapid assembly of power unit

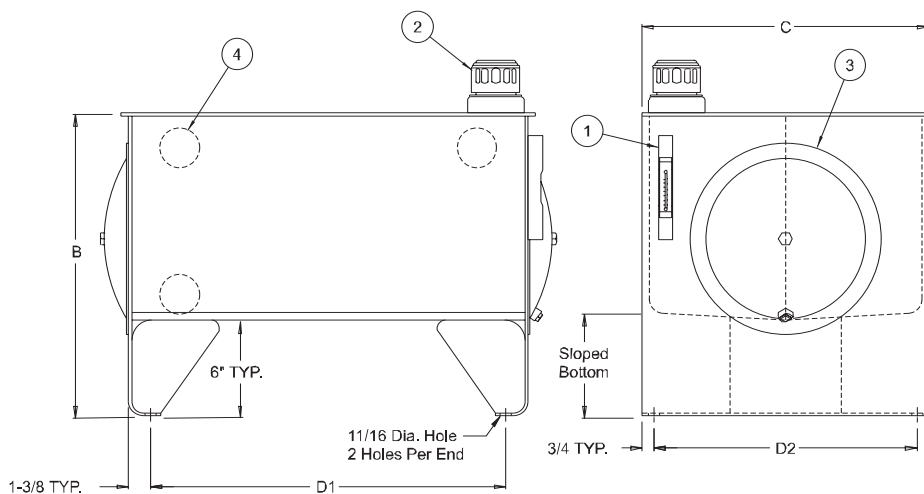
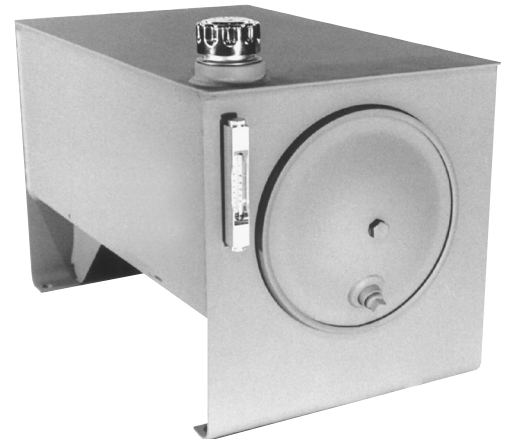
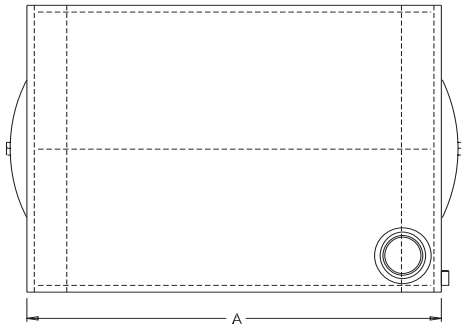


Reservoir Size (gals)	Return Lines Available with Schedule 40 Pipe							
	1/2" NPT #8 SAE	3/4" NPT #10 SAE	1" NPT #12 SAE	1-1/4" NPT #14 SAE	1-1/2" NPT #16 SAE	2" NPT #20 SAE	2-1/2" NPT #24 SAE	3" NPT #32 SAE
10 to 20	•	•	•					
30 to 40	•	•	•	•				
50 to 60	•	•	•	•	•			
80 to 100		•	•	•	•	•		
120 to 150			•	•	•	•	•	
200 and up			•	•	•	•	•	•



J.I.C. TYPE RESERVOIRS

Style A



Each Style A Reservoir Includes:

1. (1) Oil Level & Temp. Gauge
2. (1) Riser with Filler Breather
3. (2) Steel Endcovers with Gaskets
*(1) Endcover includes 3/4" NPT Drain
4. Baffle with cutouts for circulation
5. Exterior of reservoir prime painted
6. Interior of reservoir coated with rust preventive oil

Sight Gauge

10 to 200 gallon - 5" sight gauge (ALG5T)
300 gallon and up - 10" sight gauge (FMALG10T)

Filler Breather

Bayonet Style - 40 micron (5201)

Sight Gauge and Filler Breather shipped loose inside reservoir

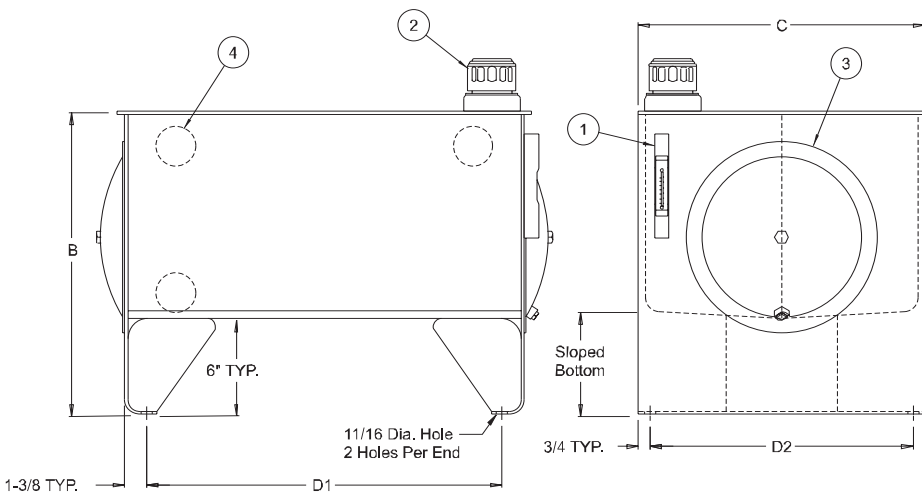
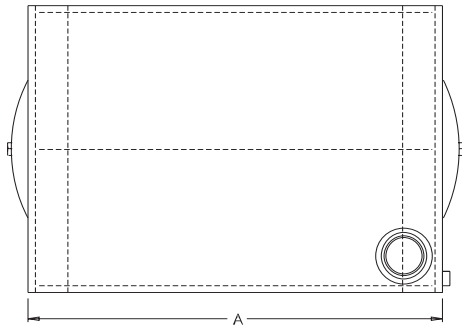
Capacity Gallons	Vescor Part Number	Tank Dimensions (inches)					End Cover	Material Thickness		Shipping Weight
		A Length	B Height	C Width	Mounting Centers D1 ±1/8"	Mounting Centers D2 ±1/8"		End	Top	
10	10010	22"	19"	18"	18 1/4"	16 1/2"	12"	7 GA.	7 GA.	105#
15	10015	26"	19"	18"	22 1/4"	16 1/2"	12"	7 GA.	7 GA.	105#
20	10020	30"	19"	18"	26 1/4"	16 1/2"	12"	7 GA.	7 GA.	124#
30	10030	36"	19 3/8"	24"	32 1/4"	22 1/2"	12"	7 GA.	7 GA.	178#
40	10040	36"	21"	24"	32 1/4"	22 1/2"	12"	7 GA.	7 GA.	190#
50	10050	36"	23"	24"	32 1/4"	22 1/2"	16"	7 GA.	7 GA.	200#
60	10060	48"	20 9/16"	27"	44 1/4"	25 1/2"	16"	7 GA.	1/4"	266#
80	10080	60"	21 1/2"	27"	56 1/4"	25 1/2"	16"	7 GA.	3/8"	398#
100	100100	60"	23 1/2"	27"	56 1/4"	25 1/2"	16"	7 GA.	3/8"	418#
120	100120	60"	27"	30"	56 1/4"	28 1/2"	16"	3/8"	3/8"	616#
150	100150	60"	31"	30"	56 1/4"	28 1/2"	16"	3/8"	3/8"	681#
200	100200	72"	29 3/8"	36"	68 1/4"	34 1/2"	18"	3/8"	3/8"	908#
300	100300	72"	38 1/2"	36"	68 1/4"	34 1/2"	18"	3/8"	3/8"	999#
400	100400	72"	38 1/2"	48"	68 1/4"	46 1/2"	18"	3/8"	1/2"	1578#
500	100500	72"	43"	48"	68 1/4"	46 1/2"	18"	3/8"	1/2"	1733#
600	100600	96"	43"	48"	92 1/4"	46 1/2"	18"	3/8"	1/2"	1838#
700	100700	96"	49"	48"	92 1/4"	46 1/2"	18"	3/8"	1/2"	1996#

NOTE: WITH VESCORS' POLICY OF CONSTANTLY IMPROVING ITS PRODUCTS, SPECIFICATIONS ARE SUBJECT TO CHANGE WITHOUT NOTICE.



J.I.C. TYPE RESERVOIRS

Style A Stainless Steel



Each Stainless Steel Style A

Reservoir Includes:

1. (1) Oil Level & Temp. Gauge
2. (1) Riser with Filler Breather
3. (2) Stainless Steel Endcovers with Gaskets
*(1) Endcover includes 3/4" NPT Drain
4. Baffle with cutouts for circulation
5. Material - 304 Stainless Steel

Sight Gauge

10 to 200 gallon - 5" sight gauge (ALG5T)
300 gallon and up - 10" sight gauge (FMALG10T)

Filler Breather

Bayonet Style - 40 micron (5201)

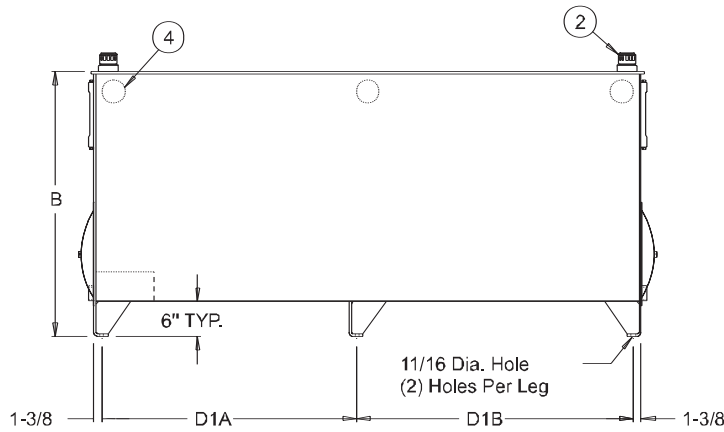
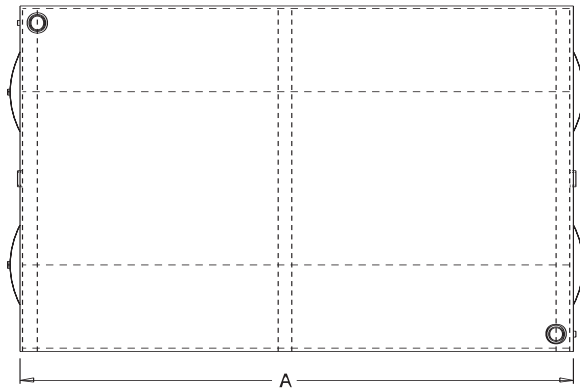
Note: Sight Gauge and Filler Breather
are not stainless steel

*Sight Gauge and Filler Breather shipped loose
inside reservoir*

Capacity Gallons	Vescor Part Number	Tank Dimensions (inches)					End Cover	Material Thickness		Shipping Weight
		A Length	B Height	C Width	Mounting Centers D1 ±1/8	Mounting Centers D2 ±1/8		End	Top	
10	23610	22"	19"	18"	18 1/4"	16 1/2"	12"	7 GA.	7 GA.	105#
15	23615	26"	19"	18"	22 1/4"	16 1/2"	12"	7 GA.	7 GA.	105#
20	23620	30"	19"	18"	26 1/4"	16 1/2"	12"	7 GA.	7 GA.	124#
30	23630	36"	19 3/8"	24"	32 1/4"	22 1/2"	12"	7 GA.	7 GA.	178#
40	23640	36"	21"	24"	32 1/4"	22 1/2"	12"	7 GA.	7 GA.	190#
50	23650	36"	23"	24"	32 1/4"	22 1/2"	16"	7 GA.	7 GA.	200#
60	23660	48"	20 9/16"	27"	44 1/4"	25 1/2"	16"	7 GA.	1/4"	266#
80	23680	60"	21 1/2"	27"	56 1/4"	25 1/2"	16"	7 GA.	3/8"	398#
100	236100	60"	23 1/2"	27"	56 1/4"	25 1/2"	16"	7 GA.	3/8"	418#
120	236120	60"	27"	30"	56 1/4"	28 1/2"	16"	3/8"	3/8"	616#
150	236150	60"	31"	30"	56 1/4"	28 1/2"	16"	3/8"	3/8"	681#
200	236200	72"	29 3/8"	36"	68 1/4"	34 1/2"	16"	3/8"	3/8"	908#
300	236300	72"	38 1/2"	36"	68 1/4"	34 1/2"	16"	3/8"	3/8"	999#
400	236400	72"	38 1/2"	48"	68 1/4"	46 1/2"	16"	3/8"	3/8"	1460#
500	236500	72"	43"	48"	68 1/4"	46 1/2"	16"	3/8"	3/8"	1618#
600	236600	96"	43"	48"	92 1/4"	46 1/2"	16"	3/8"	3/8"	1685#
700	236700	96"	49"	48"	92 1/4"	46 1/2"	16"	3/8"	3/8"	1843#



JUMBO J.I.C. TYPE RESERVOIRS



Each Jumbo JIC Reservoir Includes:

1. (2) Oil Level and Temperature Gauges
2. (2) Risers with Filler Breathers
3. (4) Steel Endcovers with Gaskets
4. (2) Baffles with cutouts for circulation
5. (2) 2" NPT Drains
6. Exterior of reservoir prime painted
7. Interior of reservoir coated with rust preventive oil.

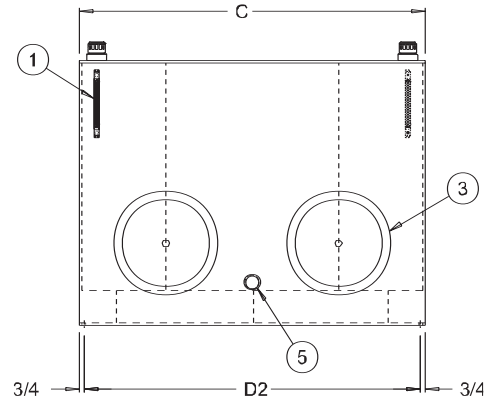
Sight Gauge

800 to 1000 gallon -10" Sight Gauge (FMALG10T)

Filler Breather

Bayonet Style - 40 micron (5201)

Sight Gauge and Filler Breather shipped loose inside reservoir



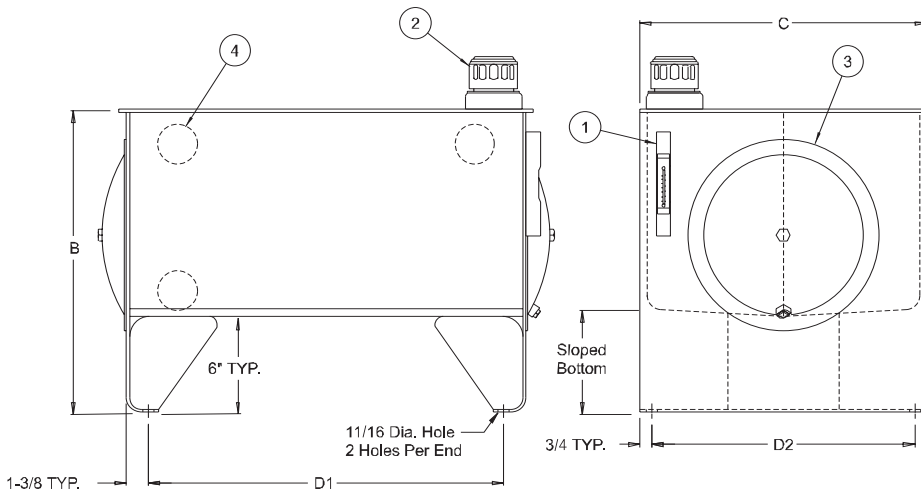
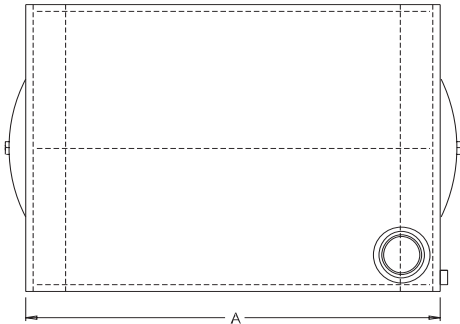
Capacity Gallons	Vescor Part Number	Tank Dimensions (inches)							Material Thickness		Shipping Weight (lbs.)
		A Length	B Height	C Width	Mounting Centers			End Cover	Top	Ends	
					D1A±1/8"	D1B±1/8"	D2±1/8"				
800	100800	96"	46"	60"	44 1/4"	48"	58 1/2"	18"	1/2"	3/8"	2696#
900	100900	96"	51"	60"	44 1/4"	48"	58 1/2"	18"	1/2"	3/8"	2860#
1000	1001000	96"	56"	60"	44 1/4"	48"	58 1/2"	18"	1/2"	3/8"	3025#

Note: Jumbo JIC Reservoirs are standard non-stock reservoirs. Consult factory for lead times.



J.I.C. TYPE RESERVOIRS

Style B



Each Style B Reservoir Includes:

1. (1) Oil Level & Temp Gauge
2. (1) Riser with Filler Breather
3. (2) Steel Endcovers with Gaskets
*(1) Endcover includes 3/4" NPT Drain
4. Baffle with cutouts for circulation
5. Exterior of reservoir prime painted
6. Interior of reservoir coated with rust preventive oil

Sight Gauge

10 to 400 gallon - 5" sight gauge (ALG5T)

Filler Breather

Bayonet Style - 40 micron (5201)

Sight Gauge and Filler Breather shipped loose inside reservoir

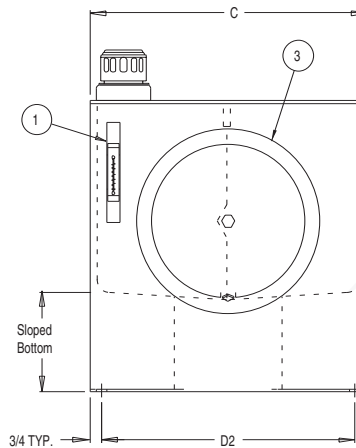
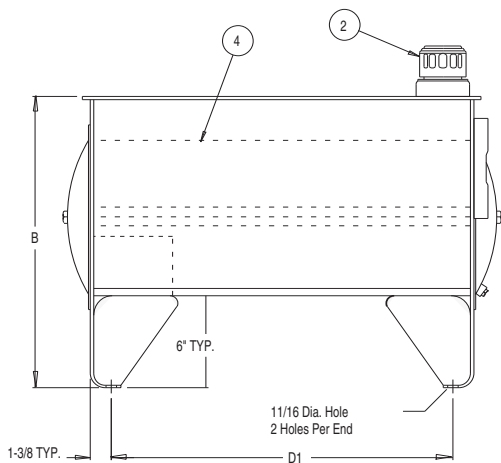
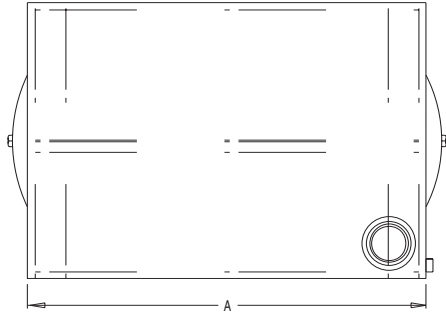
Capacity Gallons	Vescor Part Number	Tank Dimensions (inches)			Mounting Centers		End Cover	Material Thickness		Shipping Weight
		A Length	B Height	C Width	D1 ±1/8"	D2 ±1/8"		Ends	Top	
10	37510	24"	18"	16"	20 1/4"	14 1/2"	12"	11 GA.	7 GA.	80#
20	37520	32"	18"	21"	28 1/4"	19 1/2"	12"	11 GA.	7 GA.	94#
60	37560	38"	25"	25"	34 1/4"	23 1/2"	16"	7 GA.	1/4"	242#
80	37580	47"	27"	30"	43 1/4"	28 1/2"	16"	7 GA.	1/4"	365#
100	375100	47"	29"	30"	43 1/4"	28 1/2"	16"	7 GA.	1/4"	375#
120	375120	60"	27"	30"	56 1/4"	28 1/2"	16"	7 GA.	3/8"	512#
150	375150	60"	31"	30"	56 1/4"	28 1/2"	16"	7 GA.	3/8"	523#
200	375200	72"	29"	36"	68 1/4"	34 1/2"	18"	1/4"	3/8"	769#
*250	375250	72"	35"	36"	68 1/4"	34 1/2"	18"	1/4"	3/8"	900#
300	375300	82"	29"	48"	77"	45"	18"	1/4"	1/2"	1306#
+400	375400	96"	23 3/4"	72"	92 1/4"	70 1/2"	18"	3/8"	1/2"	2066#

* Non-stock special order item. +(2) baffles (4) endcovers (2) with 3/4" NPT drains provided



J.I.C. TYPE RESERVOIRS

Style RB Removable Baffle



Each Style RB Reservoir Includes:

- (1) Oil Level & Temp. Gauge
- (1) Riser with Filler Breather
- (2) Steel Endcovers with Gaskets
*(1) endcover includes 3/4" NPT Drain
- Removable Baffle
- Exterior of reservoir prime painted
- Interior of reservoir coated with rust preventive oil

Sight Gauge

10 to 300 gallon - 5" sight gauge (ALG5T)

Filler Breather

Bayonet Style - 40 micron (5201)

Sight Gauge and Filler Breather shipped loose inside reservoir

Capacity Gallons	Vescor Part Number	Tank Dimensions (inches)					Material Thickness		Shipping Weight	
		A Length	B Height	C Width	Mounting Centers		Ends	Top		
					D1 ±1/8	D2 ±1/8	End Cover			
10	19910	24"	18"	16"	20 1/4"	14 1/2"	12"	10 GA.	7 GA.	80#
15	19915	26"	19"	18"	22 1/4"	16 1/2"	12"	7 GA.	7 GA.	105#
20	19920	32"	18"	21"	28 1/4"	19 1/2"	12"	7 GA.	7 GA.	124#
30	19930	36"	19 3/8"	24"	32 1/4"	22 1/2"	12"	7 GA.	7 GA.	178#
40	19940	36"	21"	24"	32 1/4"	22 1/2"	12"	7 GA.	7 GA.	190#
50	19950	36"	23"	24"	32 1/4"	22 1/2"	12"	7 GA.	7 GA.	200#
60	19960	38"	25"	25"	34 1/4"	23 1/2"	18"	7 GA.	1/4"	242#
80	19980	47"	27"	30"	43 1/4"	28 1/2"	18"	7 GA.	1/4"	365#
100	199100	47"	29"	30"	43 1/4"	28 1/2"	18"	7 GA.	1/4"	375#
120	199120	60"	27"	30"	56 1/4"	28 1/2"	18"	7 GA.	3/8"	512#
150	199150	60"	31"	30"	56 1/4"	28 1/2"	18"	7 GA.	3/8"	523#
200	199200	72"	29"	36"	68 1/4"	34 1/2"	18"	1/4"	3/8"	769#
300	199300	82"	29"	48"	77"	45"	18"	1/4"	1/2"	1306#



J.I.C. TYPE RESERVOIRS

Style RT

Each Style RT Reservoir Includes:

1. (1) Oil Level & Temp Gauge
2. Endcover(s) with Gasket(s)
3. Baffle with cutout for circulation
4. (1) 3/4" NPT Drain
5. (1) Return Connection
6. Channel Gasket for Removable Top (see note)
7. Exterior of reservoir prime painted
8. Interior of reservoir coated with rust preventive oil

NOTE: Removable Top Plates are ordered as separate items (see page 12)

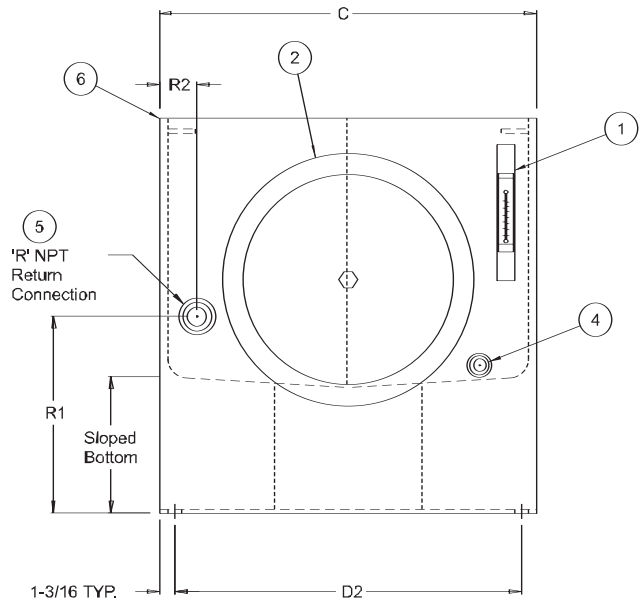
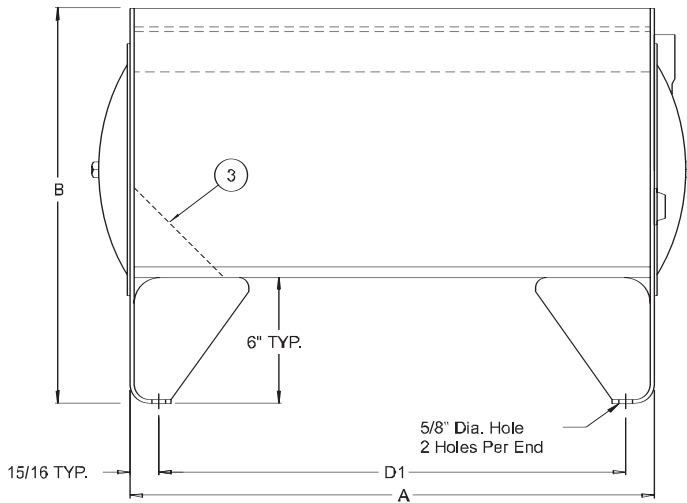
Cleanout Covers

10 and 20 Gallon	35 Gallon	50 to 210 Gallon
(1) 10" Dia. cleanout (sight gauge end only)	(1) 10" Dia. cleanout/both ends	(1) 14" Dia. cleanout/both ends

Sight Gauge

10 to 210 gallon - 5" sight gauge (ALG5T)

Sight Gauge shipped loose inside reservoir, Filler Breather included with cover plate



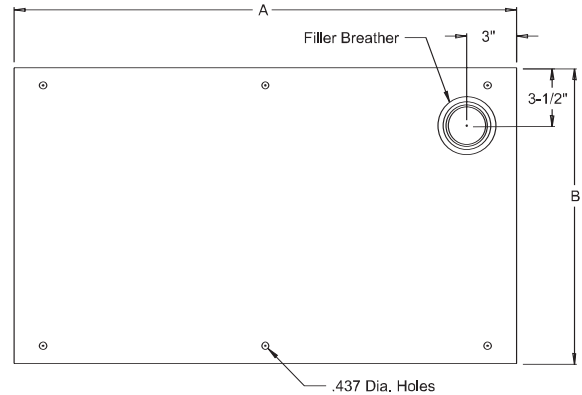
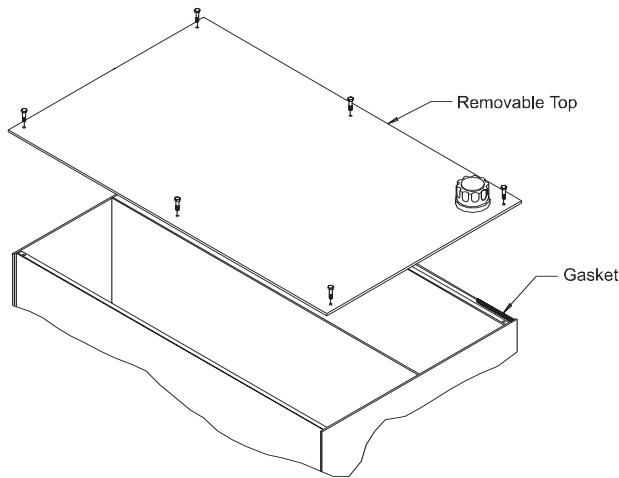
Capacity Gallons	Vescor Part Number	Tank Dimensions (inches)			Mounting Centers		Return Connections			Shipping Weight
		A Length	B Height	C Width	D1 ±1/8"	D2 ±1/8"	R1	R2	R	
10	12210	18 1/4"	18"	17 7/8"	16 3/8"	15 1/2"	8 1/2"	1 1/2"	1/2" NPT	90#
20	12220	29 3/8"	18"	17 7/8"	27 1/2"	15 1/2"	8 1/2"	1 1/2"	1" NPT	120#
35	12235	35 3/8"	18 1/4"	23 7/8"	33 1/2"	21 1/2"	9 1/2"	3"	1 1/2" NPT	160#
50	12250	35 3/8"	23"	23 7/8"	33 1/2"	21 1/2"	9 1/2"	3"	1 1/2" NPT	197#
70	12270	47 3/8"	21"	26 7/8"	45 1/2"	24 1/2"	9 1/2"	3"	1 1/2" NPT	235#
90	12209	59 3/8"	21 1/2"	26 7/8"	57 1/2"	24 1/2"	9 1/2"	3"	2" NPT	281#
130	122130	59 3/8"	26"	29 7/8"	57 1/2"	27 1/2"	9 1/2"	3"	2" NPT	345#
160	122160	59 3/8"	31"	29 7/8"	57 1/2"	27 1/2"	9 1/2"	3"	2" NPT	398#
210	122210	71 3/8"	28 1/4"	35 7/8"	69"	33 1/2"	9 1/2"	3"	2" NPT	484#

NOTE: Removable Top Plates are ordered as separate items (see page 12). Weights do not include covers.



REMOVABLE TOPS

Style RT Removable Top



Each Style RT Removable Top Includes:

1. (1) Riser with Filler Breather
2. (1) Set of Mounting Hardware
3. Exterior surface of removable top prime painted

Filler Breather: Bayonet Style - 40 micron (5201)

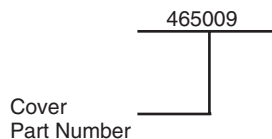
Vescor Part Number	Description Gallons	Cover	Dimensions		Shipping Weight
			A	B	
465001	10	1/4"	19"	18"	25#
465002	10	3/8"	19"	18"	37#
465003	10	1/2"	19"	18"	50#
465004	20	1/4"	30"	18"	39#
465005	20	3/8"	30"	18"	59#
465006	20	1/2"	30"	18"	78#
465007	35/50	1/4"	36"	24"	62#
465008	35/50	3/8"	36"	24"	94#
465009	35/50	1/2"	36"	24"	123#
*465010	35/50	3/4"	36"	24"	184#
465015	70	1/4"	48"	27"	93#
465016	70	3/8"	48"	27"	140#
465017	70	1/2"	48"	27"	186#
*465018	70	3/4"	48"	27"	279#

*Standard non stock top - consult factory for lead times

Vescor Part Number	Description Gallons	Cover	Dimensions		Shipping Weight
			A	B	
465019	90	1/4"	60"	27"	116#
465020	90	3/8"	60"	27"	175#
465021	90	1/2"	60"	27"	232#
*465022	90	3/4"	60"	27"	348#
465023	130/160	1/4"	60"	30"	129#
465024	130/160	3/8"	60"	30"	194#
465026	130/160	1/2"	60"	30"	258#
*465027	130/160	3/4"	60"	30"	387#
*465028	130/160	1"	60"	30"	516#
465034	210	1/4"	72"	36"	186#
465035	210	3/8"	72"	36"	278#
465036	210	1/2"	72"	36"	371#
*465037	210	3/4"	72"	36"	566#
*465038	210	1"	72"	36"	736#

ORDERING INFORMATION:

Reservoirs do not include Removable Tops.
Removable Tops are ordered as separate items.
 Please use VESCOR part number when ordering.

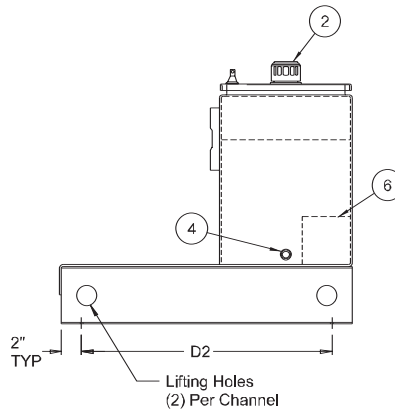
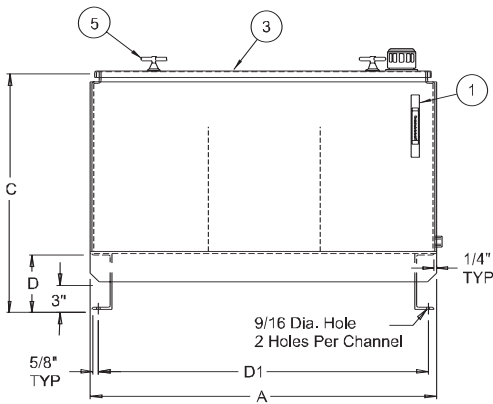
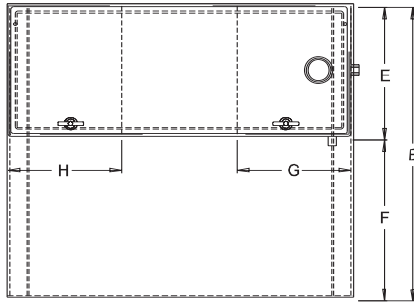


NOTE:
 Removable Top in example is a 1/2" thick top for a 35 gallon RT Reservoir.



"L" SHAPED RESERVOIRS

Style C



Each "L" Shaped Style C Reservoir Includes:

- (1) Oil Level & Temp. Gauge
- (1) Filler Breather
- (1) Hinged Cover with gasket
- (1) 3/4" NPT Drain
- (2) T-Handles (3) for 200 gallon and up
- Baffle(s) with cutout for circulation
- Exterior of reservoir prime painted
- Interior of reservoir coated with rust preventive oil.
- 100 gallon to 600 gallon include (1) door chain (not shown)

Sight Gauge

10 to 200 gallon - 5" sight gauge (ALG5T)
 300 gallon and up - 10" sight gauge (FMALG10T)

Filler Breather

Bayonet Style - 40 micron (5201)

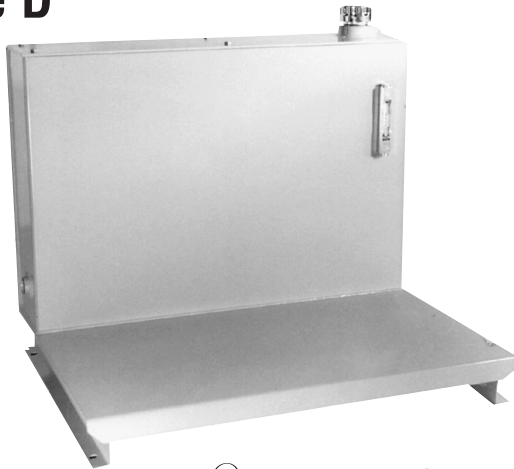
Sight Gauge and Filler Breather shipped loose inside reservoir

Capacity Gallons	Vescor Part Number	Tank Dimensions (inches)								Mounting Centers		Shipping Weight
		A	B	C	D	E	F	G	H	D1 ±1/8"	D2 ±1/8"	
10	VL-10	24"	23 ³ / ₈ "	23 ⁷ / ₈ "	6 ³ / ₁₆ "	11 ¹ / ₈ "	12 ¹ / ₄ "	11"	N/A	22 ¹ / ₄ "	19"	135#
20	VL-20	30"	27 ³ / ₈ "	25 ⁷ / ₈ "	6 ³ / ₁₆ "	13 ¹ / ₂ "	13 ⁷ / ₈ "	12"	N/A	28 ¹ / ₄ "	23"	183#
30	VL-30	36"	30 ³ / ₈ "	29 ⁷ / ₈ "	6 ³ / ₁₆ "	13 ³ / ₄ "	16 ⁵ / ₈ "	12"	N/A	34 ¹ / ₄ "	26"	240#
45	VL-45	54"	31 ³ / ₈ "	29 ⁷ / ₈ "	6 ³ / ₁₆ "	13 ³ / ₄ "	17 ⁵ / ₈ "	12"	12"	52 ¹ / ₄ "	27"	335#
60	VL-60	48"	37 ³ / ₈ "	35 ⁷ / ₈ "	6 ³ / ₁₆ "	16 ³ / ₄ "	20 ⁵ / ₈ "	16"	N/A	46 ¹ / ₄ "	33"	376#
80	VL-80	66"	38 ⁹ / ₁₆ "	36 ¹ / ₁₆ "	6 ³ / ₈ "	16 ³ / ₈ "	22"	16"	16"	64 ¹ / ₄ "	34"	670#
100	VL-100	60"	42 ⁹ / ₁₆ "	39 ¹ / ₁₆ "	6 ³ / ₈ "	19 ³ / ₈ "	23"	16"	N/A	58 ¹ / ₄ "	38"	715#
120	VL-120	72"	42 ⁹ / ₁₆ "	39 ¹ / ₁₆ "	6 ³ / ₈ "	19 ³ / ₈ "	23"	16"	16"	70 ¹ / ₄ "	38"	836#
150	VL-150	72"	50 ⁹ / ₁₆ "	39 ¹ / ₁₆ "	6 ³ / ₈ "	25 ³ / ₈ "	25"	16"	N/A	70 ¹ / ₄ "	46"	939#
200	VL-200	84"	51 ⁹ / ₁₆ "	42 ¹ / ₁₆ "	6 ³ / ₈ "	25 ³ / ₈ "	26"	16"	16"	82 ¹ / ₄ "	47"	1128#
300	VL-300	84"	60"	54 ³ / ₁₆ "	6 ¹ / ₂ "	25 ³ / ₈ "	34 ⁷ / ₁₆ "	16"	16"	82 ¹ / ₄ "	55 ¹ / ₂ "	1400#
400	VL-400	84"	60"	54 ³ / ₁₆ "	6 ¹ / ₂ "	28 ³ / ₈ "	31 ⁷ / ₁₆ "	16"	16"	82 ¹ / ₄ "	55 ¹ / ₂ "	1610#
500	VL-500	84"	60"	60 ³ / ₁₆ "	6 ¹ / ₂ "	32 ³ / ₈ "	27 ⁷ / ₁₆ "	18"	18"	82 ¹ / ₄ "	55 ¹ / ₂ "	1782#
600	VL-600	90"	62"	66 ³ / ₁₆ "	6 ¹ / ₂ "	30 ³ / ₈ "	31 ⁷ / ₁₆ "	22"	22"	88 ¹ / ₄ "	57 ¹ / ₂ "	1838#



"L" SHAPED RESERVOIRS

Style D



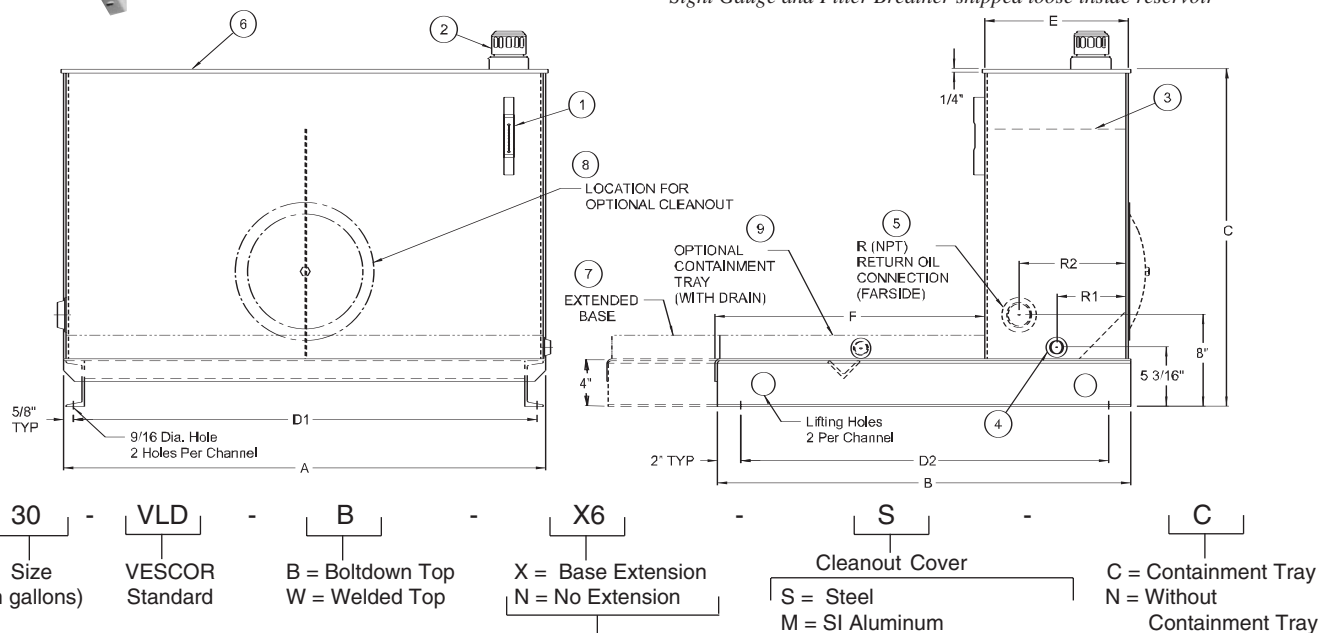
Each "L" Shaped Style D Reservoir Includes:

1. (1) Oil Level & Temp. Gauge
2. (1) Riser with Filler Breather
3. Baffle with cutout for circulation
4. (1) 3/4" NPT Drain
5. (1) Return connection
6. Customer Choice of Removable or Welded Top
7. Customer Choice of Extended Base
8. Optional Endcover (Steel, SI or DIN)
9. Optional Containment Tray with Drain
10. Exterior of reservoir prime painted
11. Interior of reservoir coated with rust preventive oil

Sight Gauge: 10 to 200 gallon - 5" sight gauge (ALG5T)

Filler Breather: Bayonet Style - 40 micron (5201)

Sight Gauge and Filler Breather shipped loose inside reservoir



How To Order:

VESCOR "L" Shaped Style "D" Reservoir allows you to design the required reservoir for your individual needs.

Please use Vescor Part Number when ordering.

Fill in all items LEAVE NO BLANKS

X6 = 6" Base Extension
 X12 = 12" Base Extension
 X18 = 18" Base Extension
 X24 = 24" Base Extension
 X*** = Customer Specified Extension

RESERVOIR SIZE	STEEL	SI	DIN
10 to 60	12"	275	324
80 to 200	16"	400	449

Capacity Gallons	Vescor Model Code	Tank Dimensions (inches)					Mounting Centers		Return Connections			Shipping Weight
		A	B	C	E	F	D1	D2	R1	R2	R	
10	VLD	24"	22"	26 ⁹ / ₁₆ "	6 ¹ / ₂ "	15 ⁷ / ₁₆ "	22 ¹ / ₄ "	18"	3 ¹ / ₄ "	4 ¹ / ₂ "	1/2"	151#
20	VLD	36"	27"	26 ⁹ / ₁₆ "	7 ¹ / ₂ "	19 ⁷ / ₁₆ "	34 ¹ / ₄ "	23"	3 ³ / ₄ "	5 ¹ / ₂ "	1"	238#
30	VLD	36"	30"	28 ⁹ / ₁₆ "	10 ¹ / ₂ "	19 ⁷ / ₁₆ "	34 ¹ / ₄ "	26"	5 ¹ / ₄ "	7 ¹ / ₂ "	1 ¹ / ₂ "	258#
45	VLD	42"	36"	29 ⁹ / ₁₆ "	12 ¹ / ₂ "	23 ⁷ / ₁₆ "	40 ¹ / ₄ "	32"	6 ¹ / ₄ "	9 ¹ / ₂ "	1 ¹ / ₂ "	327#
60	VLD	42"	36"	29 ⁹ / ₁₆ "	16 ¹ / ₂ "	19 ⁷ / ₁₆ "	40 ¹ / ₄ "	32"	8 ¹ / ₄ "	13 ¹ / ₂ "	1 ¹ / ₂ "	351#
80	VLD	48"	42"	30 ⁹ / ₁₆ "	18 ¹ / ₂ "	23 ¹ / ₂ "	46 ¹ / ₄ "	38"	9 ¹ / ₄ "	15 ¹ / ₂ "	1 ¹ / ₂ "	432#
100	VLD	50"	47"	31 ⁹ / ₁₆ "	21 ¹ / ₂ "	25 ¹ / ₂ "	48 ¹ / ₄ "	43"	10 ³ / ₄ "	18 ¹ / ₂ "	2"	493#
120	VLD	52"	50"	32 ⁹ / ₁₆ "	22 ¹ / ₂ "	27 ¹ / ₂ "	50 ¹ / ₄ "	46"	11 ¹ / ₄ "	19 ¹ / ₂ "	2"	528#
150	VLD	60"	50"	33 ⁹ / ₁₆ "	22 ¹ / ₂ "	27 ¹ / ₂ "	58 ¹ / ₄ "	46"	11 ¹ / ₄ "	19 ¹ / ₂ "	2"	605#
200	VLD	60"	57"	40 ⁹ / ₁₆ "	25 ¹ / ₂ "	31 ¹ / ₂ "	58 ¹ / ₄ "	53"	12 ³ / ₄ "	22 ¹ / ₂ "	2"	771#

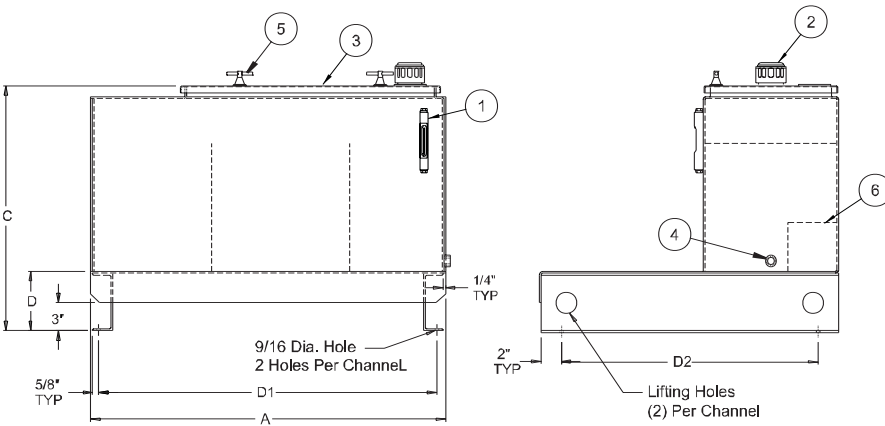
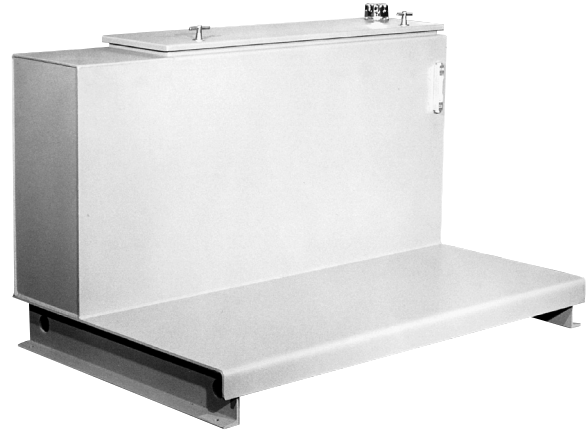
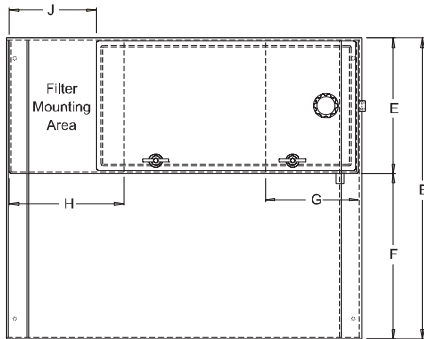
NOTE: WITH VESCORS' POLICY OF CONSTANTLY IMPROVING ITS PRODUCTS, SPECIFICATIONS ARE SUBJECT TO CHANGE WITHOUT NOTICE.



"L" SHAPED RESERVOIRS

Style F

Style "F" (Filter Mounting) Reservoirs are similar to the classic "L" Shaped Style "C" Reservoirs with the addition of a welded top section suitable for filter or accessory mounting. Remainder of top is hinged.



Each "L" Shaped Style F Reservoir Includes:

Welded top section for filter mounting

1. (1) Oil Level & Temp. Gauge
2. (1) Filler Breather
3. (1) Hinged cover with gasket
4. (1) 3/4" NPT Drain
5. (2) T-Handles (3) for 200 gallon and up
6. Baffle(s) with cutout for circulation
7. Exterior of reservoir prime painted
8. Interior of reservoir coated with rust preventive oil.
9. 100 gallon to 600 gallon include (1) door chain (not shown)

Sight Gauge

80 to 200 gallon - 5" sight gauge (ALG5T)
300 gallon and up - 10" sight gauge (ALG10T)

Filler Breather

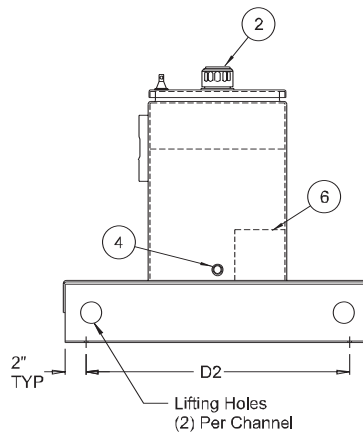
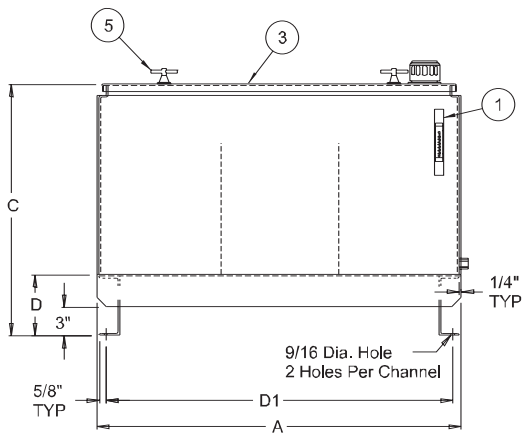
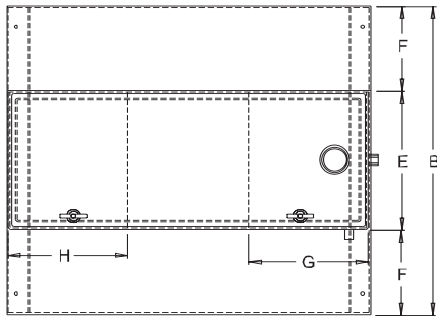
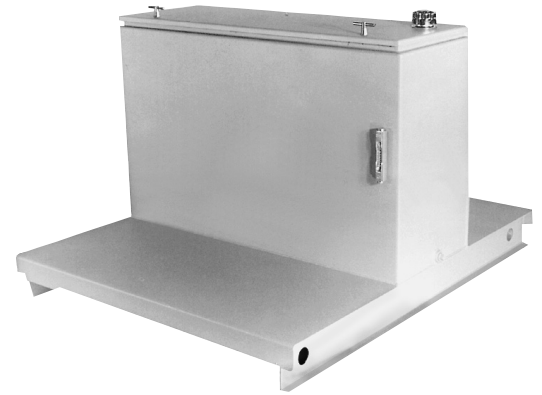
Bayonet Style - 40 micron (5201)

Sight Gauge and Filler Breather shipped loose inside reservoir

Capacity Gallons	Vescor Part Number	Tank Dimensions (inches)								Welded Top J	Mounting Centers		Shipping Weight
		A	B	C	D	E	F	G	H		D1 ±1/8"	D2 ±1/8"	
80	25880	60"	38 ⁹ / ₁₆ "	36 ¹ / ₁₆ "	6 ³ / ₈ "	13 ³ / ₈ "	25"	16"	16"	12"	58 ¹ / ₄ "	34"	574#
100	258100	60"	42 ⁹ / ₁₆ "	36 ¹ / ₁₆ "	6 ³ / ₈ "	16 ³ / ₈ "	26"	16"	16"	12"	58 ¹ / ₄ "	38"	720#
120	258120	72"	42 ⁹ / ₁₆ "	36 ¹ / ₁₆ "	6 ³ / ₈ "	16 ³ / ₈ "	26"	16"	16"	12"	70 ¹ / ₄ "	38"	847#
150	258150	72"	50 ⁹ / ₁₆ "	39 ¹ / ₁₆ "	6 ³ / ₈ "	18 ³ / ₈ "	32"	16"	16"	12"	70 ¹ / ₄ "	46"	945#
200	258200	84"	51 ⁹ / ₁₆ "	42 ¹ / ₁₆ "	6 ³ / ₈ "	18 ³ / ₈ "	33"	16"	24"	16"	82 ¹ / ₄ "	47"	1136#
300	258300	84"	60"	54 ³ / ₁₆ "	6 ¹ / ₂ "	25 ³ / ₈ "	34 ⁷ / ₁₆ "	16"	24"	16"	82 ¹ / ₄ "	55 ¹ / ₂ "	1409#
400	258400	84"	60"	54 ³ / ₁₆ "	6 ¹ / ₂ "	28 ³ / ₈ "	31 ⁷ / ₁₆ "	16"	24"	16"	82 ¹ / ₄ "	55 ¹ / ₂ "	1618#
500	258500	84"	60"	60 ³ / ₁₆ "	6 ¹ / ₂ "	32 ³ / ₈ "	27 ⁷ / ₁₆ "	18"	24"	18"	82 ¹ / ₄ "	55 ¹ / ₂ "	1793#
600	258600	90"	62"	65 ³ / ₁₆ "	6 ¹ / ₂ "	30 ³ / ₈ "	31 ⁷ / ₁₆ "	22"	30"	20"	88 ¹ / ₄ "	57 ¹ / ₂ "	1849#



“T” SHAPED RESERVOIRS



Each “T” Shaped Reservoir Includes:

1. (1) Oil Level & Temp. Gauge
2. (1) Filler Breather
3. (1) Hinged Cover with gasket
4. (1) 3/4” NPT Drain
5. (2) T-Handles (3) for 300 gallon and up
6. Baffle(s) with cutout for circulation
7. Exterior of reservoir prime painted
8. Interior of reservoir coated with rust preventive oil
9. 100 gallon to 400 gallon include (1) door chain (not shown)

Sight Gauge

10 to 200 gallon - 5” sight gauge (ALG5T)
 300 Gallon and up - 10” sight gauge (ALG10T)

Filler Breather

Bayonet Style - 40 micron (5201)

Sight Gauge and Filler Breather shipped loose inside reservoir

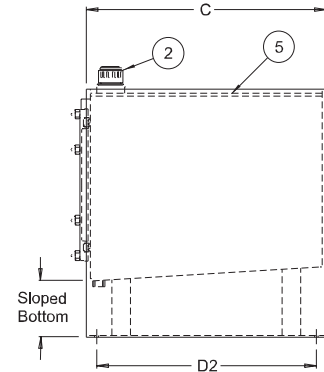
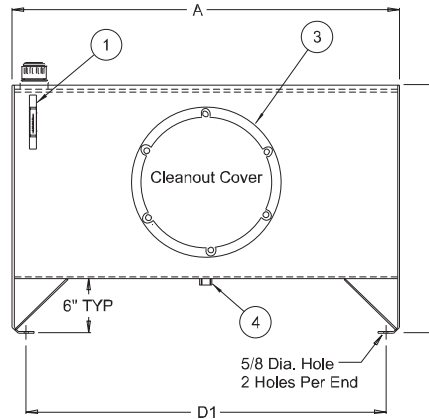
Capacity Gallons	Vescor Part Number	Tank Dimensions (inches)								Mounting Centers		Shipping Weight
		A	B	C	D	E	F	G	H	D1 ±1/8”	D2 ±1/8”	
10	VLT-10	24”	35 1/4”	23 7/8”	6 3/16”	11 1/8”	12 1/16”	11”	N/A	22 1/4”	30 7/8”	178#
20	VLT-20	30”	40 5/8”	25 7/8”	6 3/16”	13 1/2”	13 9/16”	12”	N/A	28 1/4”	36 1/4”	220#
30	VLT-30	36”	46 5/8”	29 7/8”	6 3/16”	13 3/4”	16 7/16”	12”	N/A	34 1/4”	42 1/4”	291#
45	VLT-45	54”	48 5/8”	29 7/8”	6 3/16”	13 3/4”	17 7/16”	12”	12”	52 1/4”	44 1/4”	408#
60	VLT-60	48”	58”	35 7/8”	6 3/16”	16 3/4”	20 5/8”	16”	N/A	46 1/4”	53 5/8”	455#
80	VLT-80	66”	61 1/8”	36 1/16”	6 3/8”	16 3/8”	22 3/8”	16”	16”	64 1/4”	56 3/8”	887#
100	VLT-100	60”	66 1/8”	39 1/16”	6 3/8”	19 3/8”	23 3/8”	16”	N/A	58 1/4”	61 3/8”	944#
120	VLT-120	72”	68 1/8”	39 1/16”	6 3/8”	19 3/8”	24 3/8”	16”	16”	70 1/4”	63 3/8”	1130#
150	VLT-150	72”	76 1/8”	39 1/16”	6 3/8”	25 3/8”	25 3/8”	16”	N/A	70 1/4”	71 3/8”	1228#
200	VLT-200	84”	78 1/8”	42 1/16”	6 3/8”	25 3/8”	26 3/8”	16”	16”	82 1/4”	73 3/8”	1470#
300	VLT-300	84”	77 3/4”	54 3/16”	6 1/2”	25 3/8”	26 3/16”	16”	16”	82 1/4”	73 1/4”	1839#
400	VLT-400	84”	91”	54 3/16”	6 1/2”	28 3/8”	31 3/8”	16”	16”	82 1/4”	86 1/2”	2056#

NOTE: WITH VESCORS' POLICY OF CONSTANTLY IMPROVING ITS PRODUCTS, SPECIFICATIONS ARE SUBJECT TO CHANGE WITHOUT NOTICE.



D.I.N. TYPE RESERVOIRS

Style 1



Each D.I.N. Type Reservoir Style 1 includes:

1. (1) Oil Level & Temp. Gauge
2. (1) Riser with Filler Breather
3. (1) DIN Type Endcover, Gasket and Mounting Hardware
4. (1) SAE Drain with plug
5. Recessed Top (Drip Tray)
6. Exterior of reservoir prime painted
7. Interior of reservoir coated with rust preventive oil

Filler Breather: Bayonet Style - 40 micron (5201)

Sight Gauges: 5" (ALG5T), 10" (FMALG10T)

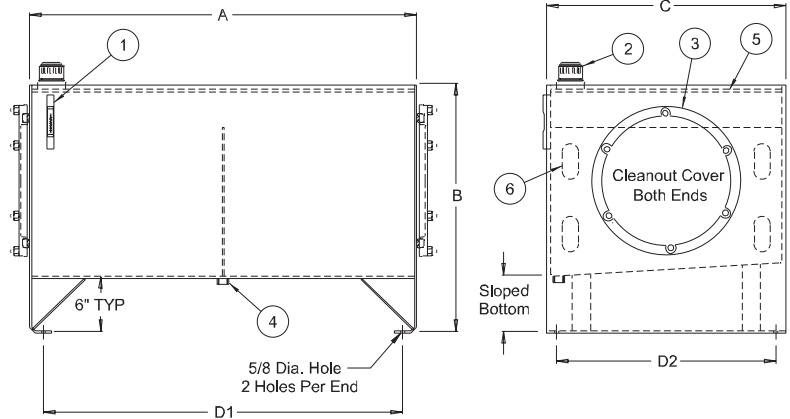
Sight Gauge and Filler Breather shipped loose inside reservoir

Capacity		Vescor Part Number	Sight Gauge (Mtg. Ctrs.)	Tank Dimensions (inches)					Cleanout Cover	Shipping Weight
Gallons	Liters			A Length	B Height	C Width	D1 Mtg. Ctrs.	D2 Mtg. Ctrs.		
499XXX SERIES ARE HEAVY DUTY RESERVOIRS										
20	76	49920	5"	24 ³ / ₈ "	21"	18"	21 ³ / ₄ "	15 ¹ / ₂ "	324	128#
30	114	49930	5"	30 ³ / ₈ "	21 ⁷ / ₁₆ "	20 ³ / ₄ "	27"	18 ¹ / ₄ "	324	170#
40	151	49940	5"	36 ³ / ₈ "	22 ³ / ₄ "	20 ³ / ₄ "	33"	18 ¹ / ₄ "	324	231#
60	227	49960	5"	42 ³ / ₈ "	24 ¹ / ₄ "	24"	39"	21 ¹ / ₂ "	324	301#
80	303	49980	5"	42 ³ / ₈ "	25 ³ / ₈ "	30"	39"	27 ¹ / ₂ "	324	371#
100	379	499100	10"	42 ³ / ₈ "	29 ¹ / ₄ "	30"	39"	27 ¹ / ₂ "	449	400#
120	454	499120	10"	48 ¹ / ₂ "	30 ¹ / ₄ "	30"	45"	27 ¹ / ₂ "	449	554#
150	568	499150	10"	60 ¹ / ₂ "	30 ¹ / ₄ "	30"	57"	27 ¹ / ₂ "	449	665#
200	757	499200	10"	72 ³ / ₄ "	29 ¹³ / ₁₆ "	36"	69"	33 ¹ / ₂ "	449	973#
300	1136	499300	10"	72 ³ / ₄ "	38 ¹¹ / ₁₆ "	36"	69"	33 ¹ / ₂ "	449	1142#
400	1514	499400	10"	84 ³ / ₄ "	43 ³ / ₁₆ "	36"	80 ³ / ₄ "	33 ¹ / ₂ "	449	1495#
500	1892	499500	10"	84 ³ / ₄ "	44 ³ / ₄ "	42"	80 ³ / ₄ "	39 ¹ / ₂ "	449	1701#
422XXX SERIES ARE LIGHT DUTY RESERVOIRS										
20	76	42220	5"	30"	20 ¹ / ₂ "	18"	27"	15 ¹ / ₂ "	324	120#
35	132	42235	5"	35"	21 ¹ / ₄ "	24"	32"	21 ¹ / ₂ "	324	168#
60	227	42260	5"	42"	22 ³ / ₄ "	26"	39"	23 ¹ / ₂ "	324	212#
80	303	42280	5"	48"	24 ³ / ₄ "	27"	45"	24 ¹ / ₂ "	324	252#
100	379	422100	10"	57"	24 ³ / ₄ "	30"	54"	27 ¹ / ₂ "	449	314#
120	454	422120	10"	60"	25 ³ / ₄ "	30"	57"	27 ¹ / ₂ "	449	450#
150	568	422150	10"	60"	29 ³ / ₄ "	30"	57"	27 ¹ / ₂ "	449	481#
200	757	422200	10"	72"	28 ¹ / ₂ "	36"	69"	33 ¹ / ₂ "	449	696#
300	1136	422300	10"	72"	38 ¹ / ₂ "	36"	69"	33 ¹ / ₂ "	449	903#
400	1514	422400	10"	84 ³ / ₄ "	43 ³ / ₁₆ "	36"	81 ³ / ₄ "	33 ¹ / ₂ "	449	1248#
500	1892	422500	10"	84 ³ / ₄ "	44 ³ / ₄ "	42"	81 ³ / ₄ "	39 ¹ / ₂ "	449	1440#



D.I.N. TYPE RESERVOIRS

Style 2



Each D.I.N. Type Reservoir Style 2 includes:

1. (1) Oil Level & Temp. Gauge
2. (1) Riser with Filler Breather
3. (2) DIN Type Endcovers, Gaskets and Mounting Hardware
4. (1) SAE Drain with plug
5. Recessed Top (Drip Tray)
6. (1) Baffle with cutouts for circulation
7. Exterior of reservoir prime painted
8. Interior of reservoir coated with rust preventive oil

Filler Breather: Bayonet Style - 40 micron (5201)

Sight Gauges: 5" (ALG5T), 10" (FMALG10T)

Sight Gauge and Filler Breather shipped loose inside reservoir

Capacity		Vescor Part Number	Sight Gauge (Mtg. Ctrs.)	Tank Dimensions (inches)					Cleanout Cover	Shipping Weight
Gallons	Liters			A Length	B Height	C Width	D1 Mtg. Ctrs.	D2 Mtg. Ctrs.		
599XXX SERIES ARE HEAVY DUTY RESERVOIRS										
20	76	59920	5"	24 ³ / ₈ "	21"	18"	21 ³ / ₄ "	15 ¹ / ₂ "	324	141#
30	114	59930	5"	30 ³ / ₈ "	21 ⁷ / ₁₆ "	20 ³ / ₄ "	27"	18 ¹ / ₄ "	324	185#
40	151	59940	5"	36 ³ / ₈ "	22 ³ / ₄ "	20 ³ / ₄ "	33"	18 ¹ / ₄ "	324	248#
60	227	59960	5"	42 ³ / ₈ "	24 ¹ / ₄ "	24"	39"	21 ¹ / ₂ "	324	321#
80	303	59980	5"	42 ³ / ₈ "	25 ³ / ₈ "	30"	39"	27 ¹ / ₂ "	324	398#
100	379	599100	10"	42 ³ / ₈ "	29 ¹ / ₄ "	30"	39"	27 ¹ / ₂ "	449	430#
120	454	599120	10"	48 ¹ / ₂ "	30 ¹ / ₄ "	30"	45"	27 ¹ / ₂ "	449	584#
150	568	599150	10"	60 ¹ / ₂ "	30 ¹ / ₄ "	30"	57"	27 ¹ / ₂ "	449	695#
200	757	599200	10"	72 ³ / ₄ "	29 ¹³ / ₁₆ "	36"	69"	33 ¹ / ₂ "	449	1029#
300	1136	599300	10"	72 ³ / ₄ "	38 ¹¹ / ₁₆ "	36"	69"	33 ¹ / ₂ "	449	1213#
400	1514	599400	10"	84 ³ / ₄ "	43 ³ / ₁₆ "	36"	80 ³ / ₄ "	33 ¹ / ₂ "	449	1575#
500	1892	599500	10"	84 ³ / ₄ "	44 ³ / ₄ "	42"	80 ³ / ₄ "	39 ¹ / ₂ "	449	1798#
522XXX SERIES ARE LIGHT DUTY RESERVOIRS										
20	76	52220	5"	30"	20 ¹ / ₂ "	18"	27"	15 ¹ / ₂ "	324	136#
35	132	52235	5"	35"	21 ¹ / ₄ "	24"	32"	21 ¹ / ₂ "	324	187#
60	227	52260	5"	42"	22 ³ / ₄ "	26"	39"	23 ¹ / ₂ "	324	235#
80	303	52280	5"	48"	24 ³ / ₄ "	27"	45"	24 ¹ / ₂ "	324	277#
100	379	522100	10"	57"	24 ³ / ₄ "	30"	54"	27 ¹ / ₂ "	449	340#
120	454	522120	10"	60"	25 ³ / ₄ "	30"	57"	27 ¹ / ₂ "	449	480#
150	568	522150	10"	60"	29 ³ / ₄ "	30"	57"	27 ¹ / ₂ "	449	526#
200	757	522200	10"	72"	28 ¹ / ₂ "	36"	69"	33 ¹ / ₂ "	449	748#
300	1136	522300	10"	72"	38 ¹ / ₂ "	36"	69"	33 ¹ / ₂ "	449	974#
400	1514	522400	10"	84 ³ / ₄ "	43 ³ / ₁₆ "	36"	81 ³ / ₄ "	33 ¹ / ₂ "	449	1338#
500	1892	522500	10"	84 ³ / ₄ "	44 ³ / ₄ "	42"	81 ³ / ₄ "	39 ¹ / ₂ "	449	1536#

NOTE: WITH VESCORS' POLICY OF CONSTANTLY IMPROVING ITS PRODUCTS, SPECIFICATIONS ARE SUBJECT TO CHANGE WITHOUT NOTICE.



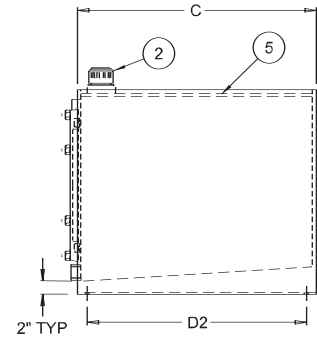
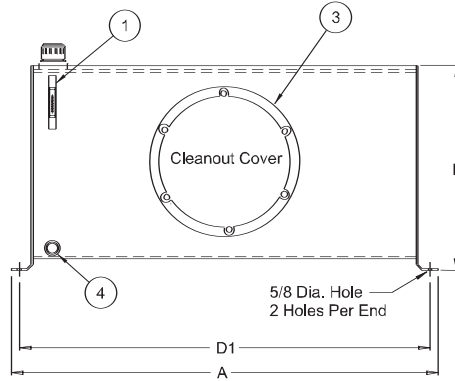
D.I.N. TYPE RESERVOIRS

Style 3



Each D.I.N. Type Reservoir Style 3 Includes:

1. (1) Oil Level & Temp. Gauge
2. (1) Riser with Filler Breather
3. (1) DIN Type Endcover, Gasket and Mounting Hardware
4. (1) SAE Drain with plug
5. Recessed Top (Drip Tray)
6. Exterior of reservoir prime painted
7. Interior of reservoir coated with rust preventive oil



Filler Breather: Bayonet Style - 40 micron (5201)

Sight Gauges: 5" (ALG5T), 10" (FMALG10T)

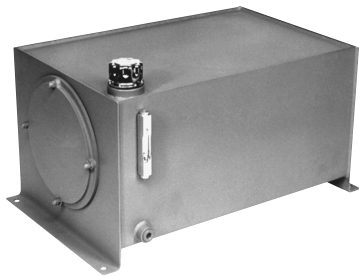
Sight Gauge and Filler Breather shipped loose inside reservoir

Capacity Gallons	Liters	Vescor Part Number	Sight Gauge (Mtg. Ctrs.)	Tank Dimensions (inches)				D2 Mtg. Ctrs.	Cleanout Cover	Ship Weight
				A Length	B Height	C Width	D1 Mtg. Ctrs.			
699XXX SERIES ARE HEAVY DUTY RESERVOIRS										
20	76	69920	5"	28"	17"	18"	26 ¹ / ₂ "	15 ¹ / ₂ "	324	118#
30	114	69930	5"	34"	17 ⁷ / ₁₆ "	20 ³ / ₄ "	32 ¹ / ₂ "	18 ¹ / ₄ "	324	158#
40	151	69940	5"	40"	18 ³ / ₄ "	20 ³ / ₄ "	38 ¹ / ₂ "	18 ¹ / ₄ "	324	190#
60	227	69960	5"	46"	20 ¹ / ₄ "	24"	44 ¹ / ₂ "	21 ¹ / ₂ "	324	219#
80	303	69980	5"	46"	21 ³ / ₈ "	30"	44 ¹ / ₂ "	27 ¹ / ₂ "	324	287#
100	379	699100	10"	46"	25 ¹ / ₄ "	30"	44 ¹ / ₂ "	27 ¹ / ₂ "	449	348#
120	454	699120	10"	52"	26 ¹ / ₄ "	30"	50 ¹ / ₂ "	27 ¹ / ₂ "	449	530#
150	568	699150	10"	64"	26 ¹ / ₄ "	30"	62 ¹ / ₂ "	27 ¹ / ₂ "	449	633#
200	757	699200	10"	77"	25 ¹³ / ₁₆ "	36"	75 ¹ / ₂ "	33 ¹ / ₂ "	449	930#
622XXX SERIES ARE LIGHT DUTY RESERVOIRS										
20	76	62220	5"	33 ⁵ / ₈ "	16"	18"	32 ¹ / ₈ "	15 ¹ / ₂ "	324	91#
35	132	62235	5"	38 ⁵ / ₈ "	16 ³ / ₄ "	24"	37 ¹ / ₈ "	21 ¹ / ₂ "	324	160#
60	227	62260	5"	45 ³ / ₄ "	18 ¹ / ₄ "	26"	44 ¹ / ₄ "	23 ¹ / ₂ "	324	208#
80	303	62280	5"	51 ⁵ / ₈ "	20 ¹ / ₄ "	27"	50 ¹ / ₈ "	24 ¹ / ₂ "	324	254#
100	379	622100	10"	60 ⁵ / ₈ "	20 ¹ / ₄ "	30"	59 ¹ / ₄ "	27 ¹ / ₂ "	324	261#
120	454	622120	10"	63 ¹ / ₂ "	21 ¹ / ₄ "	30"	62 ¹ / ₈ "	27 ¹ / ₂ "	324	416#
150	568	622150	10"	63 ¹ / ₂ "	25 ¹ / ₄ "	30"	62 ¹ / ₈ "	27 ¹ / ₂ "	449	554#
200	757	622200	10"	75 ¹ / ₂ "	24"	36"	74"	33 ¹ / ₂ "	449	850#



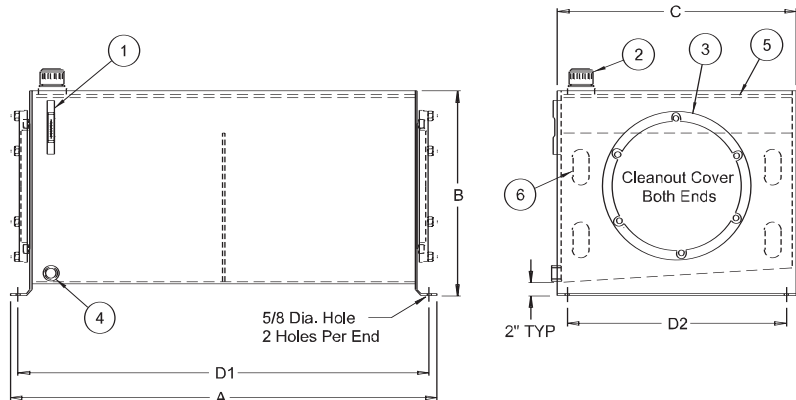
D.I.N. TYPE RESERVOIRS

Style 4



Each D.I.N. Type Reservoir Style 4 includes:

1. (1) Oil Level and Temp. Gauge
2. (1) Riser with Filler Breather
3. (2) DIN Type Endcovers, Gaskets and Mounting Hardware
4. (1) SAE Drain with plug
5. Recessed Top (Drip Tray)
6. (1) Baffle with cutouts for circulation
7. Exterior of reservoir prime painted
8. Interior of reservoir coated with rust preventive oil



Filler Breather: Bayonet Style - 40 micron (5201)

Sight Gauges: 5" (ALG5T), 10" (FMALG10T)

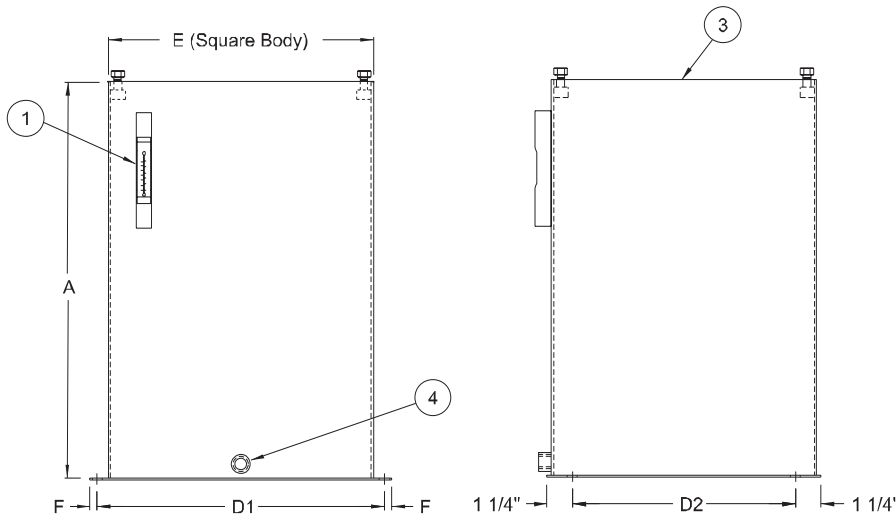
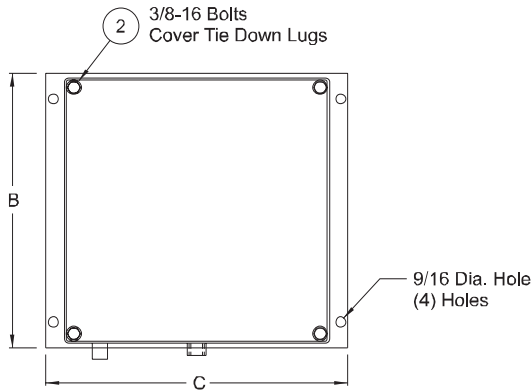
Sight Gauge and Filler Breather shipped loose inside reservoir

Capacity		Vescor Part Number	Sight Gauge (Mtg. Ctrs.)	Tank Dimensions (inches)					Cleanout Cover	Shipping Weight
Gallons	Liters			A Length	B Height	C Width	D1 Mtg. Ctrs.	D2 Mtg. Ctrs.		
799XXX SERIES ARE HEAVY DUTY RESERVOIRS										
20	76	79920	5"	28"	17"	18"	26 1/2"	15 1/2"	324	125#
30	114	79930	5"	34"	17 7/16"	20 3/4"	32 1/2"	18 1/4"	324	166#
40	151	79940	5"	40"	18 3/4"	20 3/4"	38 1/2"	18 1/4"	324	207#
60	227	79960	5"	46"	20 1/4"	24"	44 1/2"	21 1/2"	324	240#
80	303	79980	5"	46"	21 3/8"	30"	44 1/2"	27 1/2"	324	314#
100	379	799100	10"	46"	25 1/4"	30"	44 1/2"	27 1/2"	449	376#
120	454	799120	10"	52"	26 1/4"	30"	50 1/2"	27 1/2"	449	570#
150	568	799150	10"	64"	26 1/4"	30"	62 1/2"	27 1/2"	449	673#
200	757	799200	10"	77"	25 13/16"	36"	75 1/2"	33 1/2"	449	987#
722XXX SERIES ARE LIGHT DUTY RESERVOIRS										
20	76	72220	5"	33 5/8"	16"	18"	32 1/8"	15 1/2"	324	97#
35	132	72235	5"	38 5/8"	16 3/4"	24"	37 1/8"	21 1/2"	324	169#
60	227	72260	5"	45 3/4"	18 1/4"	26"	44 1/4"	23 1/2"	324	219#
80	303	72280	5"	51 5/8"	20 1/4"	27"	50 1/8"	24 1/2"	324	269#
100	379	722100	10"	60 5/8"	20 1/4"	30"	59 1/4"	27 1/2"	324	280#
120	454	722120	10"	63 1/2"	21 1/4"	30"	62 1/8"	27 1/2"	324	437#
150	568	722150	10"	63 1/2"	25 1/4"	30"	62 1/8"	27 1/2"	449	583#
200	757	722200	10"	75 1/2"	24"	36"	74"	33 1/2"	449	907#



NON-J.I.C. RESERVOIRS

Vertical Style



Each Vertical Non-J.I.C.

Reservoir includes:

1. (1) Oil Level & Temp. Gauge
2. (4) Cover Mounting Bolts
3. Channel gasket for cover plate seal
4. (1) 1/2" NPT Drain
5. Steel construction with customer choice of top
6. Exterior of reservoir prime painted
7. Interior of reservoir coated with rust preventive oil

Sight Gauge

5 to 30 gallon - 5" sight gauge (ALG5T)

NOTE: Cover Plate ordered as separate item (see page 20)

*Sight Gauge shipped loose inside reservoir,
Filler Breather included with cover plate*

Capacity Gallons	Vescor Part Number	Tank Dimensions (inches)					E	F	Shipping Weight
		A	B	C	Mounting Centers D1 ±1/8" D2 ±1/8"				
5	215145	10"	12 1/2"	14 1/2"	13 1/2"	10"	12"	1/2"	30#
10	215146	19 11/16"	12 1/2"	14 1/2"	13 1/2"	10"	12"	1/2"	45#
10	215147	11 3/4"	16 1/2"	19"	17 1/2"	14"	16"	3/4"	50#
20	215148	23 11/16"	16 1/2"	19"	17 1/2"	14"	16"	3/4"	66#
30	215149	35 11/16"	16 1/2"	19"	17 1/2"	14"	16"	3/4"	86#

*Weights do not include covers



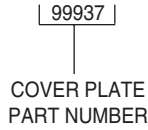
COVER PLATES

ORDERING INFORMATION

VESCOR Vertical Non-JIC Reservoirs allow you to choose the style cover plate for your individual needs.

Reservoir and Cover Plate must be ordered as separate items. Please use Part Number when ordering.

NOTE: Filler Breathers are included with cover plates only

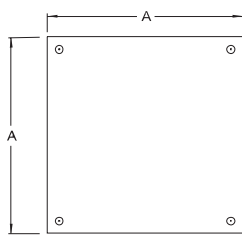


Example:
Cover Plate for 10 Gallon Non-JIC Reservoir
(215147) with 56C/145TC Adapter Cutout (Style 1)

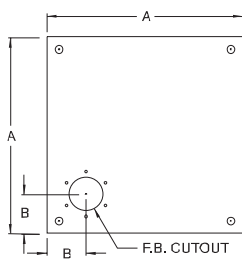
Reservoir Part Number	Standard Dimensions for Vertical Tops				
	A (SQ)	B	C	D	E (Adapter Cutout)
215145	12 ¹ / ₂ "	2 ¹ / ₂ "	6 ¹ / ₄ "	5"	Cutout for 56C/145TC Adapter (Style 1, 1A, 1B)
215146	12 ¹ / ₂ "	2 ¹ / ₂ "	6 ¹ / ₄ "	5"	Cutout for 182TC/256TC Adapter (Style 7)
215147	16 ¹ / ₂ "	2 ¹ / ₂ "	8 ¹ / ₄ "	5 ¹ / ₂ "	Cutout for 56C/145TC Adapter (Style 1, 1A, 1B)
215148	16 ¹ / ₂ "	2 ¹ / ₂ "	8 ¹ / ₄ "	5 ¹ / ₂ "	Cutout for 182TC/256TC Adapter (Style 7)
215149	16 ¹ / ₂ "	2 ¹ / ₂ "	8 ¹ / ₄ "	6 ¹ / ₄ "	Cutout for 182TC/256TC Adapter (Style 6)

*See page 131 to 136 for adapter styles

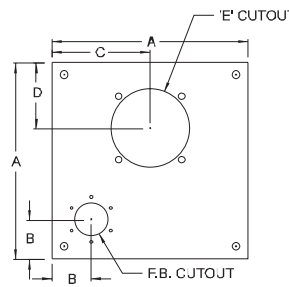
Series 1 Cover Plates (215145, 215146)



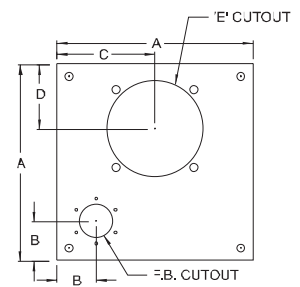
Blank Cover
Part Number 99920



Cover with
Filler Breather Cutout
Part Number 99923

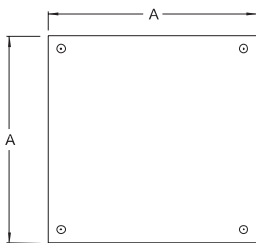


Cover with
Filler Breather Cutout and
56C/145TC Adapter Cutout
(Adapter Style 1, 1A, 1B)
Part Number 99926

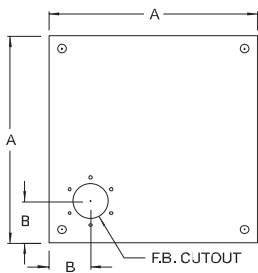


Cover with
Filler Breather Cutout and
182TC/256TC Adapter Cutout
(Adapter Style 7)
Part Number 99929

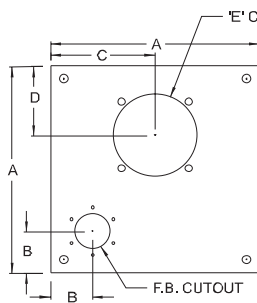
Series 2 Cover Plates (215147, 215148, 215149)



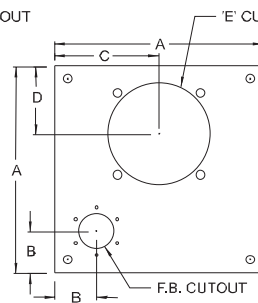
Blank Cover
Part Number 99931



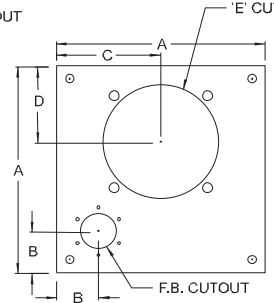
Cover with
Filler Breather Cutout
Part Number 99934



Cover with
Filler Breather Cutout and
56C/145TC Adapter Cutout
(Adapter Style 1, 1A, 1B)
Part Number 99937



Cover with
Filler Breather Cutout and
182TC/256TC Adapter Cutout
(Adapter Style 7)
Part Number 99940



Cover with
Filler Breather Cutout and
182TC/256TC Adapter Cutout
(Adapter Style 6)
Part Number 99943

Cover Plate Part Number	Description	Series
99920	Blank Cover	1
99923	Cover with Filler Breather Cutout	1
99926	Cover with 56C/145TC Adapter Cutout	1
99929	Cover with 182C/256TC Adapter Cutout	1

Cover Plate Part Number	Description	Series
99931	Blank Cover	2
99934	Cover with Filler Breather Cutout	2
99937	Cover with 56C/145TC Adapter Cutout	2
99940	Cover with 182C/256TC Adapter Cutout	2
99943	Cover with 182C/256TC Vert. Adapter Cutout	2

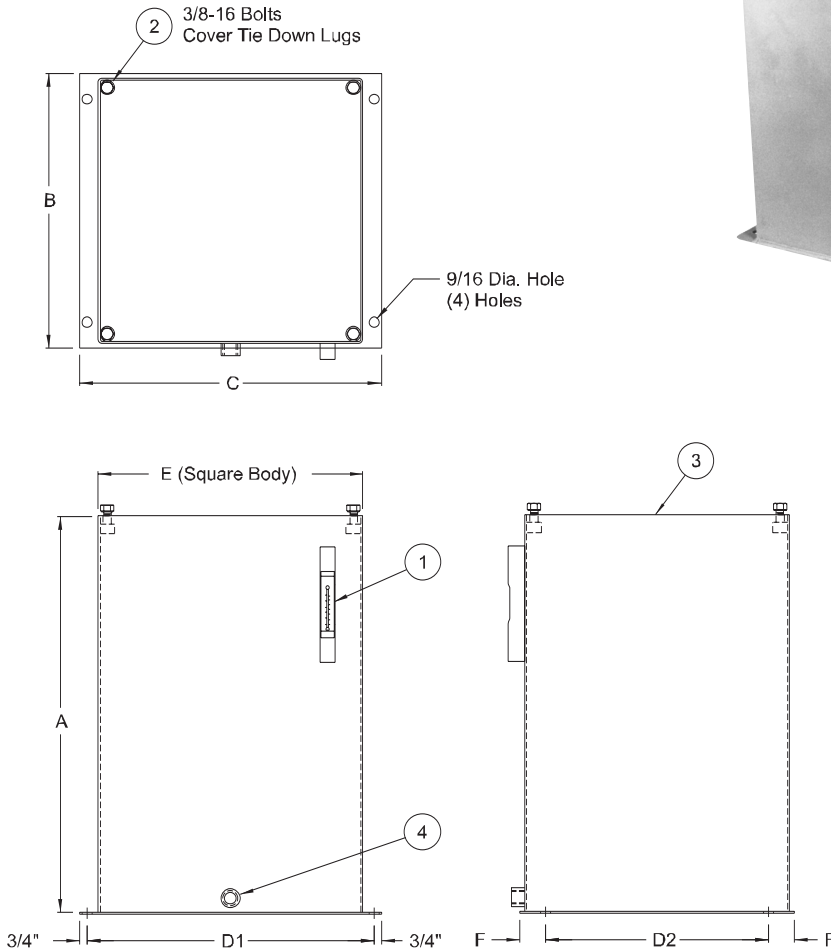
Note: All cover plates include Filler Breather bayonet style 40 micron (5201)

NOTE: WITH VESCORS' POLICY OF CONSTANTLY IMPROVING ITS PRODUCTS, SPECIFICATIONS ARE SUBJECT TO CHANGE WITHOUT NOTICE.



NON-J.I.C. RESERVOIRS

Vertical Style



Each Vertical Non-J.I.C. Type Reservoir Includes:

1. (1) Oil Level & Temp. Gauge
2. (4) Cover Mounting Bolts
3. Channel gasket for cover plate seal
4. (1) 1/2" NPT Drain
5. Steel construction with customer choice of top
6. Outside of reservoir prime painted
7. Interior of reservoir coated with rust preventive oil

Sight Gauge

10 to 40 gallon - 5" sight gauge (ALG5T)

NOTE : Cover Plate ordered as separate item (see page 22)

Sight Gauge shipped loose inside reservoir, filler breather included with cover plate

Capacity Gallons	Vescor Part Number	Tank Dimensions (Inches)							Shipping Weight
		A	B	C	Mounting Centers D1 ±1/8" D2 ±1/8"		E	F	
10	215173	15"	16 1/2"	19"	17 1/2"	14"	16"	1 1/4"	65#
20	215174	18"	18"	20 1/2"	19"	15"	17 1/2"	1 1/2"	80#
30	215175	26"	18"	20 1/2"	19"	15"	17 1/2"	1 1/2"	100#
40	215176	34"	18"	20 1/2"	19"	15"	17 1/2"	1 1/2"	120#

*Weights do not include covers



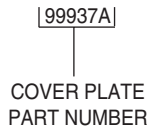
COVER PLATES

ORDERING INFORMATION

VESCOR Vertical Non-JIC Reservoirs allow you to choose the style cover plate for your individual needs.

Reservoir and Cover Plate must be ordered as separate items. Please use Part Number when ordering.

NOTE: Filler Breathers are included with cover plates only

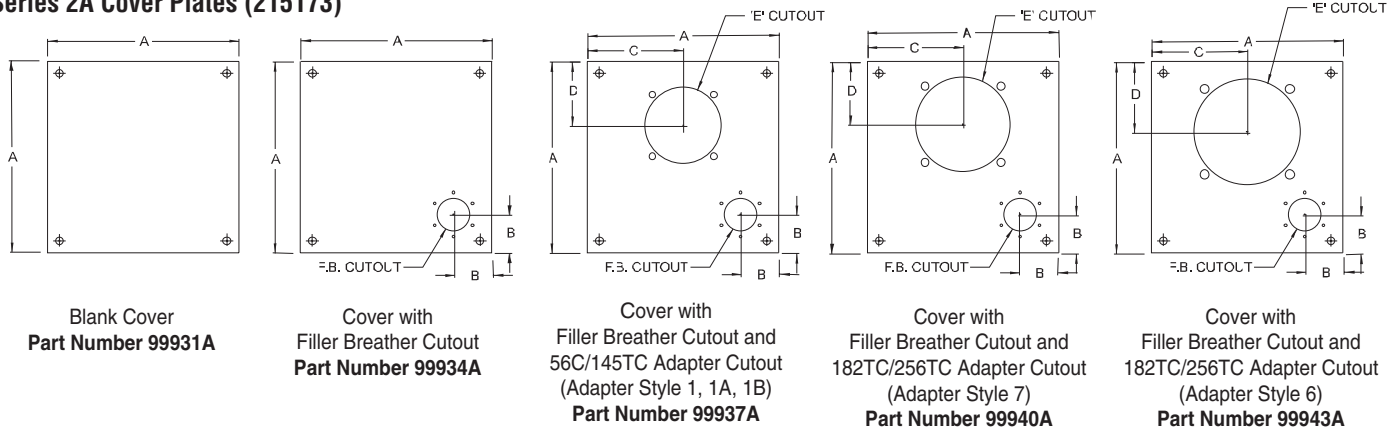


Example:
Cover Plate for 10 Gallon Non-JIC Reservoir
(215173) with 56C/145TC Adapter Cutout (Style 1)

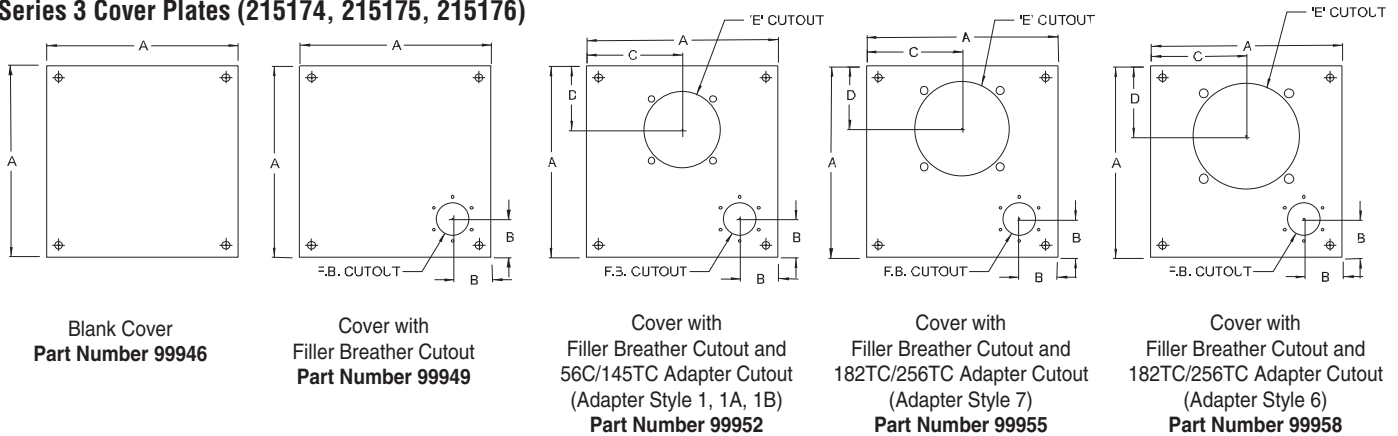
Reservoir Part Number	Standard Dimensions for Vertical Tops				
	A (SQ)	B	C	D	E (Adapter Cutout)
215173	16 1/2"	2 1/2"	8 1/4"	5 1/2"	Cutout for 56C/145TC Adapter (Style 1, 1A, 1B)
215173	16 1/2"	2 1/2"	8 1/4"	5 1/2"	Cutout for 182TC/256TC Adapter (Style 7)
215174	18"	2 1/2"	9"	5 1/2"	Cutout for 56C/145TC Adapter (Style 1, 1A, 1B)
215175	18"	2 1/2"	9"	5 1/2"	Cutout for 182TC/256TC Adapter (Style 7)
215176	18"	2 1/2"	9"	6 1/4"	Cutout for 182TC/256TC Adapter (Style 6)

*See pages 131to 136 for adapter styles

Series 2A Cover Plates (215173)



Series 3 Cover Plates (215174, 215175, 215176)



Cover Plate Part Number	Description	Series
99931A	Blank Cover	2A
99934A	Cover with Filler Breather Cutout	2A
99237A	Cover with 56C/145TC Adapter Cutout	2A
99940A	Cover with 182C/256TC Adapter Cutout	2A
99943A	Cover with 182C/256TC Adapter Cutout	2A

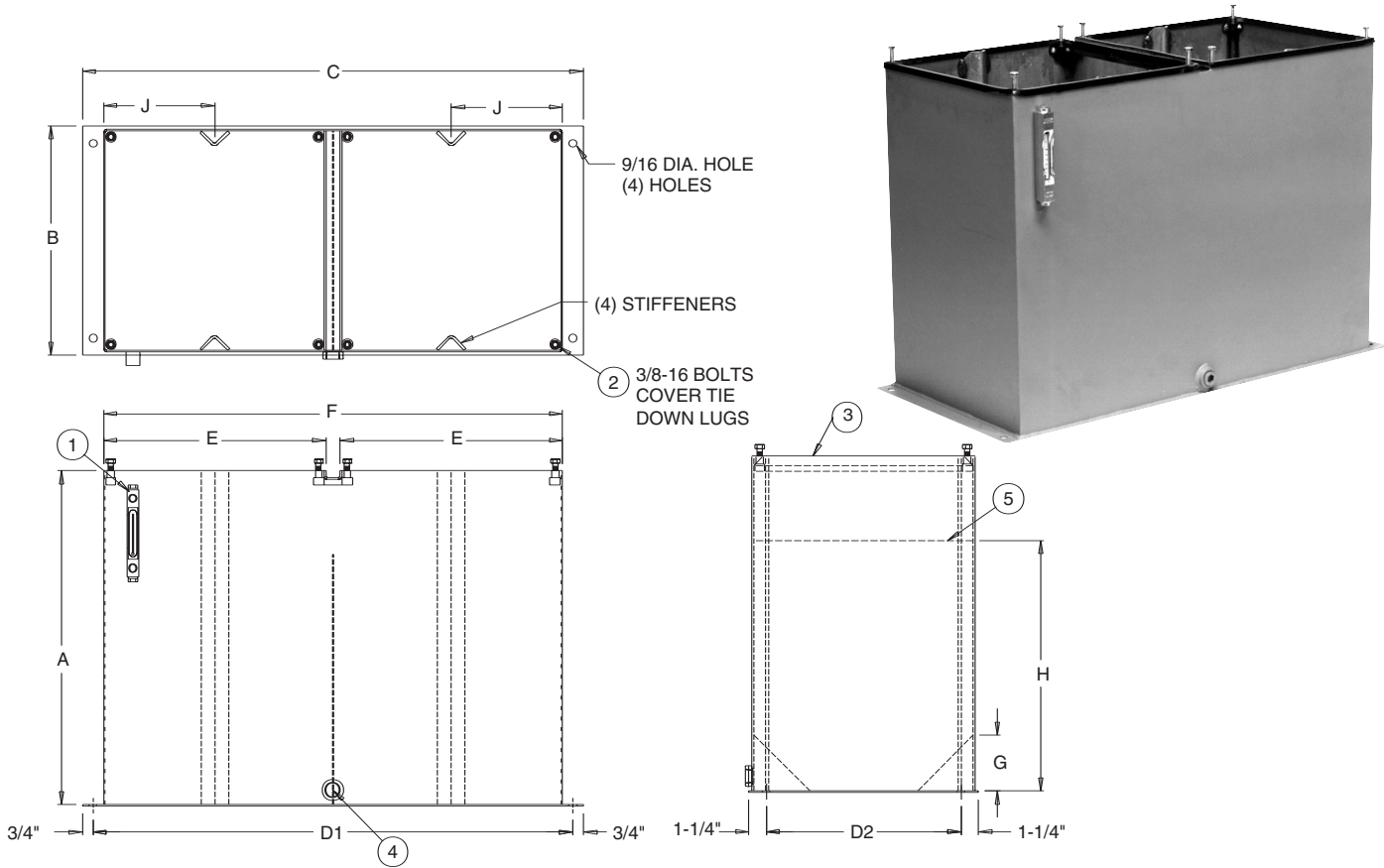
Cover Plate Part Number	Description	Series
99946	Blank Cover	3
99949	Cover with Filler Breather Cutout	3
99952	Cover with 56C/145TC Adapter Cutout	3
99955	Cover with 182C/256TC Adapter Cutout	3
99958	Cover with 182C/256TC Vert. Adapter Cutout	3

Note: All cover plates include Filler Breather bayonet style 40 micron (5201)

NOTE: WITH VESCORS' POLICY OF CONSTANTLY IMPROVING ITS PRODUCTS, SPECIFICATIONS ARE SUBJECT TO CHANGE WITHOUT NOTICE.



DUAL VERTICAL RESERVOIRS



Each Dual Vertical Non-JIC Reservoir Includes

1. (1) Oil Level and Temperature Gauge
2. (8) Cover Mounting Bolts
3. (2) Channel Gaskets for Cover Plate Seals
4. (1) 3/4" NPT Drain.
5. (1) Baffle with Cutouts for Circulation
6. Steel Construction with Customer Choice of Top
7. Exterior of Reservoir Prime Painted
8. Interior of Reservoir Coated with Rust Preventive oil.

Note: Cover Plates ordered as separate items. See pages 20 and 22

Dual Vertical Reservoirs - Series 2

Capacity Gallons	Vescor Part Number	Tank Dimensions (inches)										Shipping Weight
		A	B	C	Mounting Centers		E	F	G	H	J	
40	215188	24"	16 1/2"	36"	D1 ±1/8"	D2 ±1/8"	16"	33"	4"	18"	8"	128#
60	215189	36"	16 1/2"	36"	34 1/2"	14"	16"	33"	4"	24"	8"	179#

All Series 2 Vertical Reservoirs use standard Vescor Series 2 cover plates. See page 20 for cover plate availability. (2) cover plates required per reservoir.

Dual Vertical Reservoirs - Series 3

Capacity Gallons	Vescor Part Number	Tank Dimensions (inches)										Shipping Weight
		A	B	C	Mounting Centers		E	F	G	H	J	
50	215195	22 1/2"	18"	39"	37 1/2"	15 1/2"	17 1/2"	36"	5"	19"	8 3/4"	135#
60	215196	26 1/2"	18"	39"	37 1/2"	15 1/2"	17 1/2"	36"	5"	22 1/2"	8 3/4"	154#

All Series 3 Vertical Reservoirs use standard Vescor Series 3 cover plates. See page 22 for cover plate availability. (2) cover plates required per reservoir.



NON-J.I.C. RESERVOIRS

Horizontal Removable Top



Each Removable Top Horizontal Non-J.I.C. Reservoir Includes:

1. (1) Oil Level & Temp. Gauge
2. (1) Filler Breather (no hole provided)
3. (1) 3/4" NPT Drain
4. Neoprene foam gasket for top plate seal
5. Steel construction with removable top
6. Exterior of reservoir prime painted
7. Interior of reservoir coated with a rust preventive oil

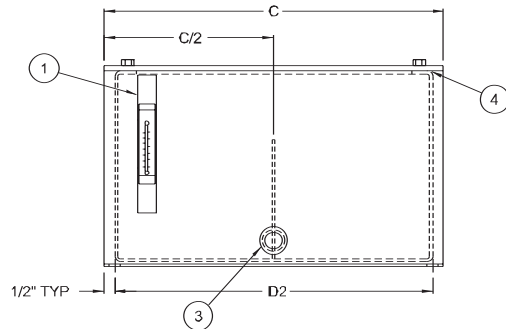
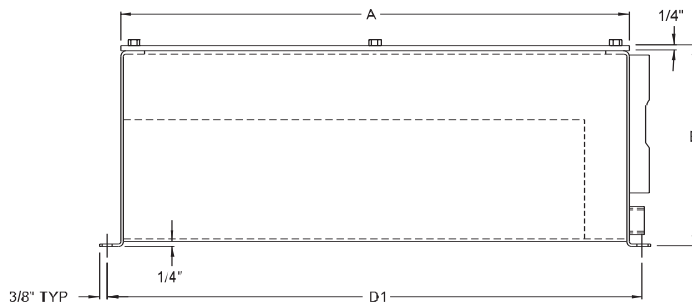
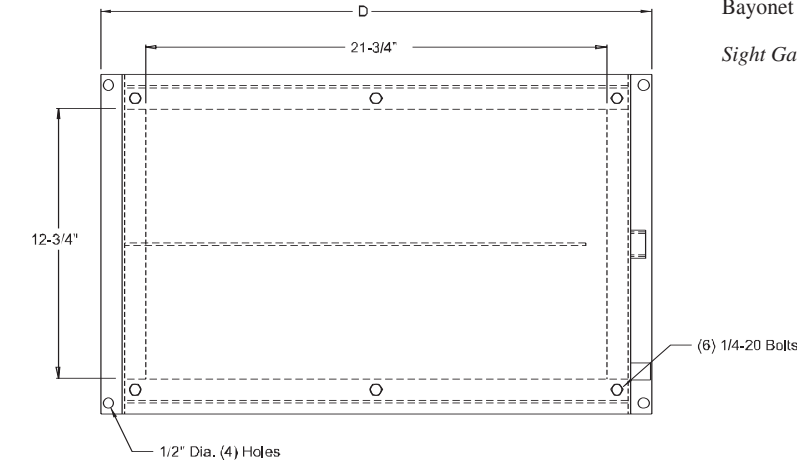
Sight Gauge

10 to 40 gallon - 5" sight gauge (ALG5T)

Filler Breather

Bayonet Style - 40 micron (5201)

Sight Gauge and Filler Breather shipped loose inside reservoir



Capacity Gallons	Vescor Part Number	Tank Dimensions (Inches)				Mounting Centers		Shipping Weight	Vescor Part Number No Baffle
		A	B	C	D	D1 ±1/8"	D2 ±1/8"		
10	5300	24"	9 1/2"	16"	26"	25 1/4"	15"	70#	215310
20	5301	24"	15 1/2"	16"	26"	25 1/4"	15"	80#	215320
30	5302	24"	21 1/2"	16"	26"	25 1/4"	15"	110#	215330
40	5303	24"	27 1/2"	16"	26"	25 1/4"	15"	135#	215340



NON-J.I.C. RESERVOIRS

Horizontal Welded Top

ORDERING INFORMATION

VESCOR Horizontal Non-JIC Reservoirs can be ordered with mounting for In-Tank Water Cooler (TMWC001-*)
Please use Part Number when ordering.

5140	-	TMWC
RESERVOIR PART NUMBER		OMIT - Standard Reservoir TMWC - Cutout for in-tank cooler

Note: In-tank cooler purchased as separate item
Sight Gauge and Filler Breather shipped loose inside reservoir



Each Horizontal Non-J.I.C. Reservoirs includes:

- 1 (1) Oil Level & Temp. Gauge
2. (1) Filler Breather (hole not provided)
- * 3. (2) 6" Cleanout Covers or In-Tank Oil Cooler Mounting
4. Baffle with cutout for circulation
5. (1) 3/4" NPT Drain
6. Steel construction with welded top
7. Exterior of reservoir prime painted
8. Interior of reservoir coated with rust preventive oil

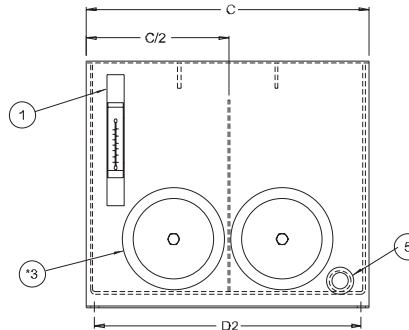
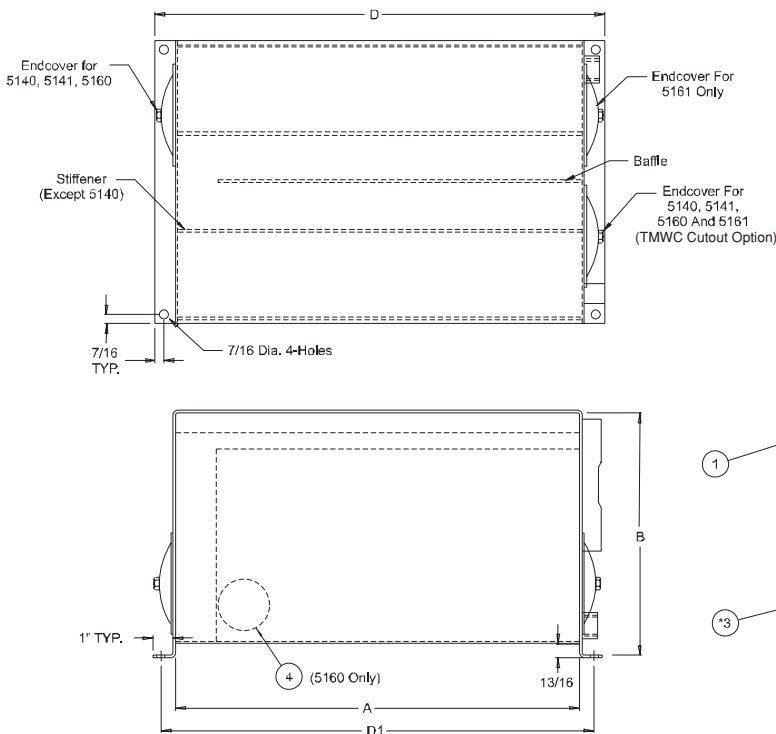
Sight Gauge

10 to 40 gallon - 5" sight gauge (ALG5T)

Filler Breather

Bayonet Style - 40 micron (5201)

* NOTE: In-Tank Oil Cooler is installed in place of (1) 6" cleanout cover

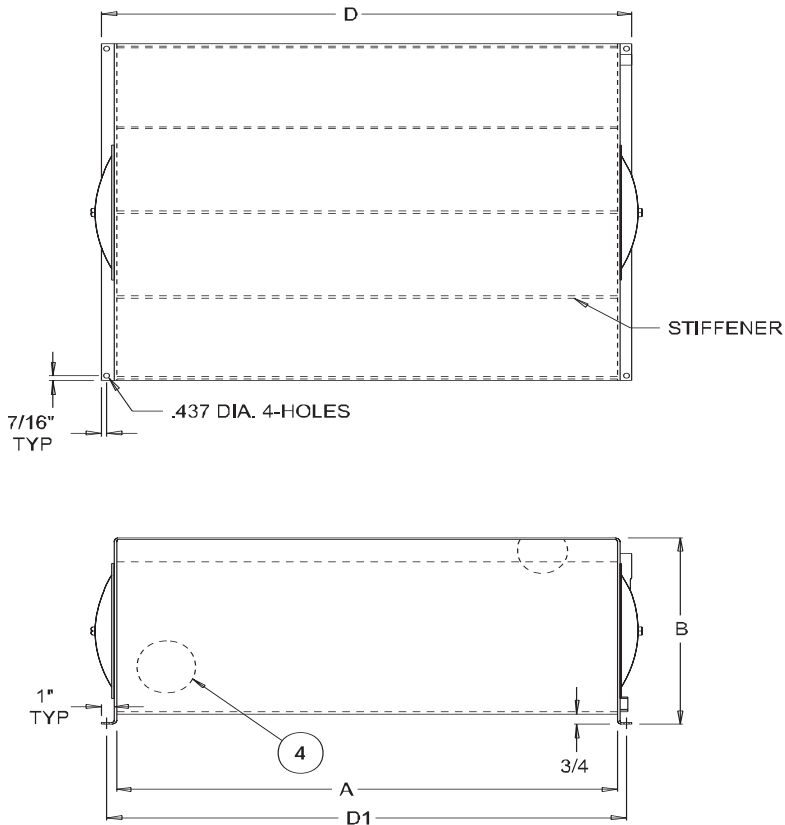


Capacity Gallons	Vescor Part Number	Tank Dimensions (inches)				Mounting Centers		Shipping Weight
		A	B	C	D	D ₁ ±1/8"	D ₂ ±1/8"	
10	5140	20"	12"	14"	22 1/4"	21 3/8"	13 1/8"	50#
20	5141	24"	14"	18"	26 1/4"	25 3/8"	17 1/8"	80#
30	5160	36"	14"	18"	38 1/4"	37 3/8"	17 1/8"	100#
40	5161	36"	14"	24"	38 1/4"	37 3/8"	23 1/8"	130#



NON-J.I.C. RESERVOIRS

Horizontal Welded Top



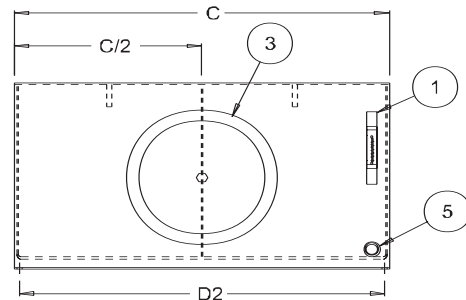
Each Horizontal Non-J.I.C. Reservoir includes:

1. (1) Oil Level & Temp. Gauge
2. (1) Filler Breather (hole not provided)
3. (2) 12" Cleanout Covers
4. Baffle with cutouts for circulation
5. (1) 3/4" NPT Drain
6. Steel construction with welded top
7. Exterior of reservoir prime painted
8. Interior of reservoir coated with rust preventive oil

Sight Gauge

60 to 100 gallon - 5" sight gauge (ALG5T)

Sight Gauge and Filler Breather shipped loose inside reservoir

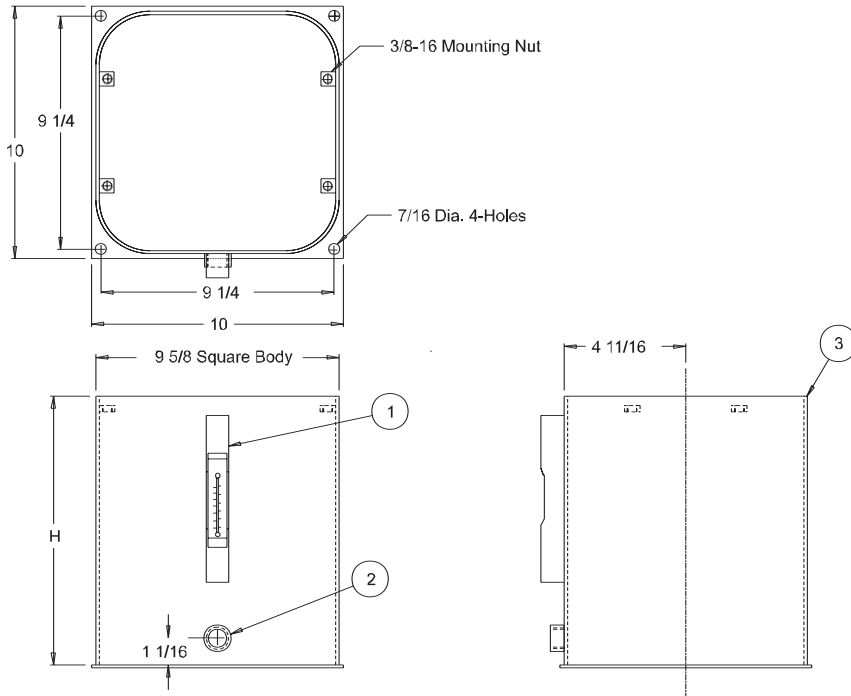


Capacity Gallons	Vescor Part Number	Tank Dimensions (inches)				Mounting Centers		Shipping Weight
		A	B	C	D	D ₁ ±1/8"	D ₂ ±1/8"	
60	5162	40"	16 ⁵ / ₈ "	30"	42 ³ / ₈ "	41 ¹ / ₂ "	29 ¹ / ₈ "	270#
80	5163	48"	16 ⁵ / ₈ "	30"	50 ³ / ₈ "	49 ¹ / ₂ "	29 ¹ / ₈ "	320#
100	5164	52"	16 ⁵ / ₈ "	36"	54 ³ / ₈ "	53 ¹ / ₂ "	35 ¹ / ₈ "	410#
100	5165	48"	19"	30"	50 ³ / ₈ "	49 ¹ / ₂ "	29 ¹ / ₈ "	410#



VARI-PAK RESERVOIRS

2, 3 and 5 Gallon Capacity



Each Vari-Pak Reservoir Includes:

1. (1) Oil Level & Temp. Gauge
2. (1) 1/2" NPT Drain
3. Channel Gasket for Top Plate Seal
4. Steel Construction with Customer Choice of Top Plate
5. Exterior of reservoir prime painted
6. Interior of reservoir coated with rust preventive oil

Sight Gauge

2, 3 to 5 gallon - 5" sight gauge (ALG5T)

NOTE: Cover Plate ordered as separate item (see below)

Sight Gauge shipped loose inside reservoir, Filler Breather included with cover plate

Vescor Part Number	H (height)	Capacity	Shipping Weight
29902	8"	2 Gallons	18#
29903	12"	3 Gallons	23#
29905	16"	5 Gallons	28#

*Weight does not include covers

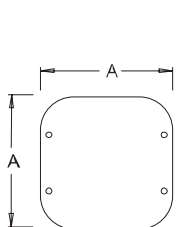
COVER PLATES

Vescor Vari-Pak Reservoirs allow you to choose the style cover plate for your individual needs.

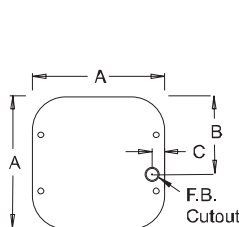
Reservoir and Cover Plate must be ordered as separate items. Please use part number when ordering.

Cover Part Number	A (SQ)	B	C	D	E	F (ADAPTER CUTOUT)
99908 99909 99910 99911	10 1/8"	5 15/16"	1 3/16"	5 1/16"	3 21/32"	cutout for 56/145TC adapter (style 1, 1A, 1B)
99907	10 1/8"	N/A	N/A	5 1/16"	5 1/16"	cutout for 182/256TC adapter only (style 7)

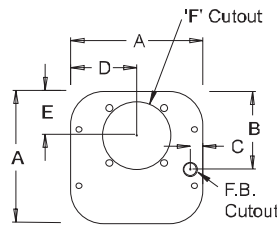
All covers include (1) PMB07-10 Mini Breather



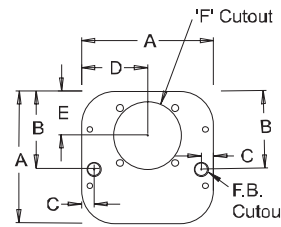
Style A Cover Plate
Blank Cover
Part Number 99908



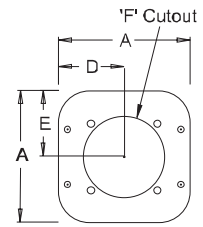
Style B Cover Plate
with Breather Cutout
Part Number 99909



Style C Cover Plate
with Breather Cutout and
56C/145TC Adapter Cutout
Part Number 99910



Style D Cover Plate
with Breather Cutout and
56C/145TC Adapter Cutout
1/2" NPT Connection
Part Number 99911

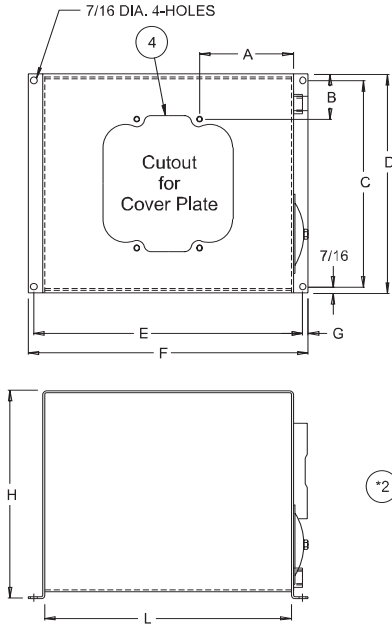


Style E Cover Plate
182/256TC Adapter Cutout
Part Number 99907



VARI-PAK RESERVOIRS

8, 10 and 14 Gallon Capacity



Each Vari-Pak Reservoir Includes:

1. (1) Oil Level & Temp. Gauge
- * 2. 6" Cleanout Cover or In-Tank Oil Cooler mounting *(NOTE: In-Tank Oil cooler is installed in place of 6" cleanout cover)
3. (1) 3/4" NPT Drain
4. Buna-N Gasket for Top Plate Seal
5. Steel Construction with Customer Choice of Top Plate
6. Exterior of reservoir prime painted
7. Interior of reservoir coated with rust preventive oil

Sight Gauge

8 to 14 gallon - 5" sight gauge (ALG5T)

NOTE: Cover Plate ordered as separate item (see below)

Sight Gauge shipped loose inside reservoir, Filler Breather included with cover plate

Capacity Gallons	Vescor Part Number	Tank Dimensions (inches)									Shipping Weight
		A	B	C	D	E	F	G	H	L	
8	29908	5"	1 ⁵ / ₈ "	11 ¹ / ₈ "	12"	13 ³ / ₈ "	14 ¹ / ₄ "	7/16"	18 ¹ / ₈ "	12"	45#
10	29910	6 ³ / ₈ "	3 ¹ / ₁₆ "	14"	14 ⁷ / ₈ "	18 ¹ / ₈ "	19"	7/16"	14 ¹ / ₈ "	16 ³ / ₄ "	57#
14	29914	7"	1 ⁵ / ₈ "	11 ¹ / ₈ "	12"	19 ³ / ₈ "	20 ¹ / ₄ "	7/16"	20 ¹ / ₈ "	18"	65#

ORDERING INFORMATION

VESCOR Vari-Pak Reservoirs can be ordered with mounting for In-Tank Water Cooler (TMWC001-*)
Please use Part Number when ordering.

*In-Tank cooler purchased as separate item

[29908] - [TMWC]
RESERVOIR OMIT - Standard Reservoir
PART NUMBER TMWC - cutout for in-tank cooler

COVER PLATES

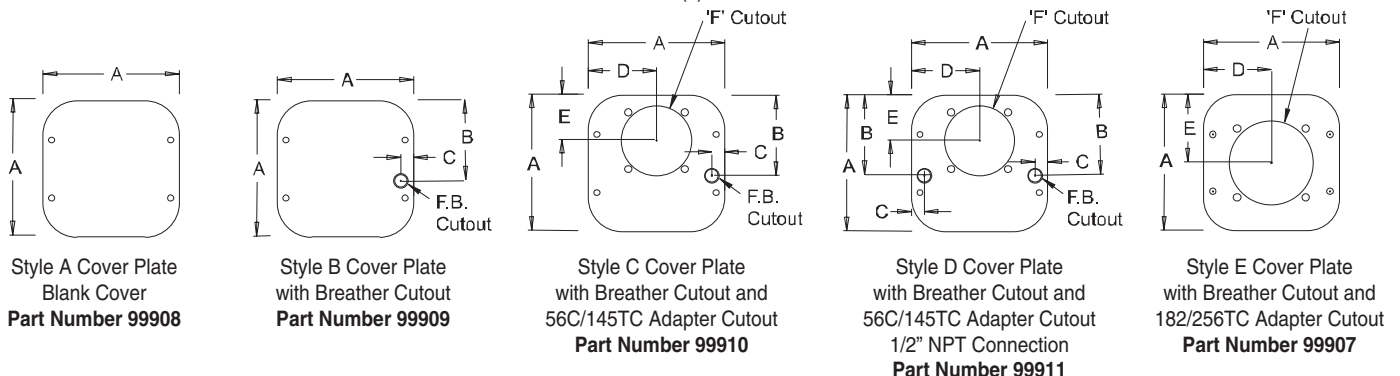
Vescor Vari-Pak Reservoirs allow you to choose the style cover plate for your individual needs.

Reservoir and Cover Plate must be ordered as separate items.

Please use part number when ordering

Cover Part Number	A (SQ)	B	C	D	E	F (ADAPTER CUTOUT)
99908 99909 99910 99911	10 ¹ / ₈ "	5 ¹⁵ / ₁₆ "	1 ³ / ₁₆ "	5 ¹ / ₁₆ "	3 ²¹ / ₃₂ "	cutout for 56/145TC adapter (style 1, 1A, 1B)
99907	10 ¹ / ₈ "	N/A	N/A	5 ¹ / ₁₆ "	5 ¹ / ₁₆ "	cutout for 182/256TC adapter only (style 7)

All covers include (1) PMB07-10 Mini Breather

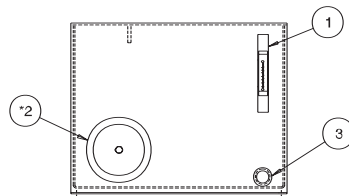
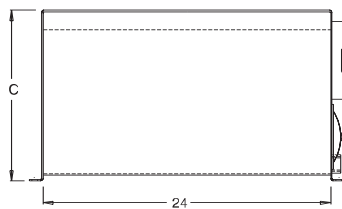
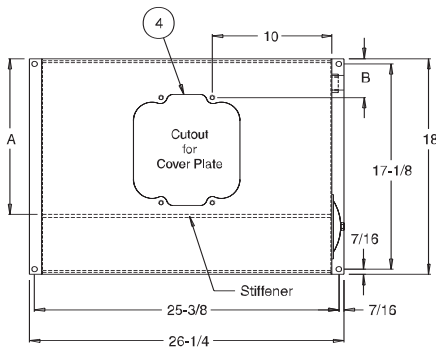


NOTE: WITH VESCORS' POLICY OF CONSTANTLY IMPROVING ITS PRODUCTS, SPECIFICATIONS ARE SUBJECT TO CHANGE WITHOUT NOTICE.



VARI-PAK RESERVOIRS

20 and 25 Gallon Capacity



Each Vari-Pak Reservoir Includes:

1. (1) Oil Level & Temp. Gauge
- * 2. 6" Cleanout Cover or In-Tank Oil Cooler mounting
*(NOTE: In-Tank Oil cooler is installed in place of 6" cleanout cover)
3. (1) 3/4" NPT Drain
4. Buna-N Gasket for Top Plate Seal
5. Steel Construction with Customer Choice of Top Plate
6. Exterior of reservoir prime painted
7. Interior of reservoir coated with rust preventive oil

Sight Gauge

20 to 25 gallon - 5" sight gauge (ALG5T)

NOTE: Cover Plate ordered as separate item (see below)

Sight Gauge shipped loose inside reservoir, Filler Breather included with cover plate

Capacity Gallons	Vescor Part Number	Tank Dimensions (inches)			Shipping Weight
		A	B	C	
20	29920	13"	3 1/4"	14 1/4"	80
25	29925	12 1/4"	3"	18 1/8"	94

ORDERING INFORMATION

VESCOR Vari-Pak Reservoirs can be ordered with mounting for In-Tank Water Cooler (TMWC001-*)
Please use Part Number when ordering.
*In-Tank cooler purchased as separate item

29920	-	TMWC
RESERVOIR PART NUMBER		OMIT - Standard Reservoir TMWC - cutout for in-tank cooler

COVER PLATES

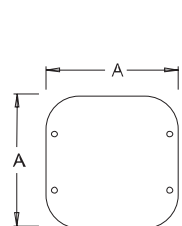
Vescor Vari-Pak Reservoirs allow you to choose the style cover plate for your individual needs.

Reservoir and Cover Plate must be ordered as separate items.

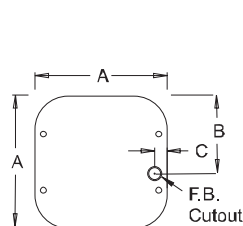
Please use part number when ordering

COVER PART NUMBER	A (SQ)	B	C	D	E	F (ADAPTER CUTOUT)
99908	10 1/8"	5 15/16"	1 3/16"	5 1/16"	3 2 1/32"	cutout for 56/145TC adapter (style 1, 1A, 1B)
99909						
99910						
99911						
99907		N/A	N/A		5 1/16"	cutout for 182/256TC adapter only (style 7)

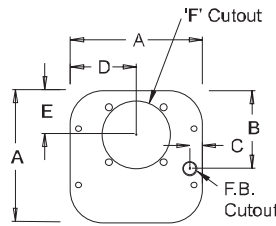
All covers includes (1) PMB07-10 Mini Breather



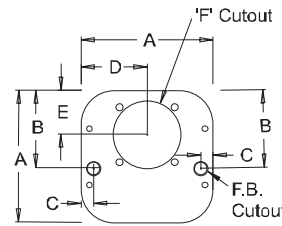
Style A Cover Plate
Blank Cover
Part Number 99908



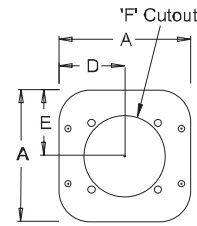
Style B Cover Plate
with Breather Cutout
Part Number 99909



Style C Cover Plate
with Breather Cutout and
56C/145TC Adapter Cutout
Part Number 99910



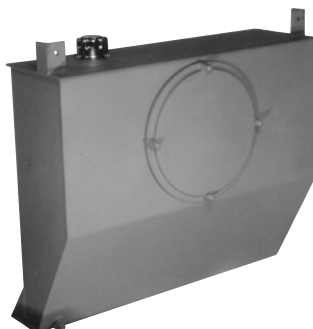
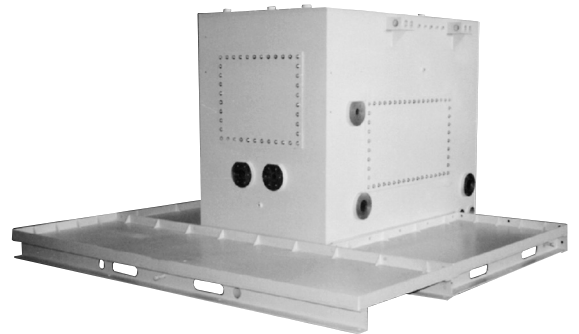
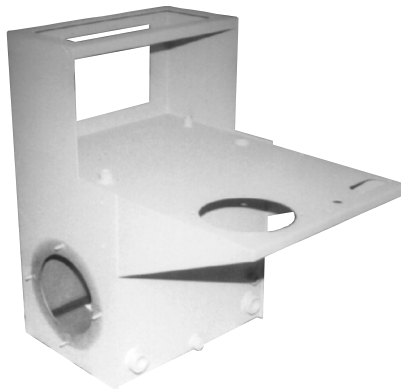
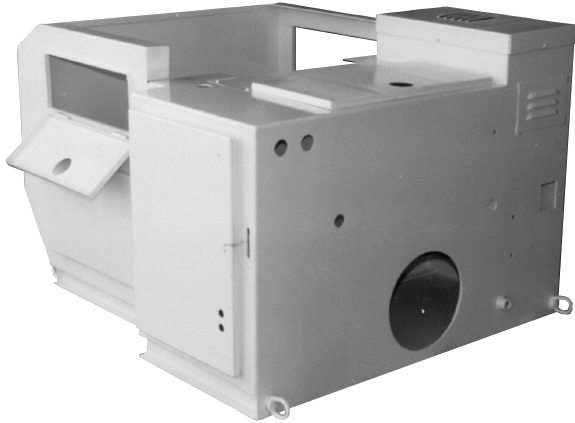
Style D Cover Plate
with Breather Cutout and
56C/145TC Adapter Cutout
1/2" NPT Connection
Part Number 99911



Style E Cover Plate
with Breather Cutout and
182/256TC Adapter Cutout
Part Number 99907



CUSTOM RESERVOIRS



Custom Reservoirs Are Standard

For over 30 years, VESCOR has signified excellence in hydraulic reservoirs and accessories. VESCOR has always offered exceptional quality and service in the manufacturing of hydraulic reservoirs for a wide variety of applications.

While offering a complete line of standard reservoirs, VESCOR is one of the largest manufacturer of customized tanks and reservoirs. VESCOR can manufacture your customized reservoir in quantities of one to one hundred. A complete, totally updated engineering department assists customers in developing the most cost effective and practical design for every application.

VESCOR is proud of its earned reputation for quality and on-time performance, this is due in part to refined engineering specifications and quality control efforts. VESCOR offers a depth of experience few competitors can match. VESCORS' personnel are continually trained in the use of new technology. New advanced equipment maintains the highest possible manufacturing standards.

VESCORS' *off the shelf* reservoirs are always available. Customers are often able to utilize *modified standards* in their design, thus saving in manufacturing costs.

When you need a quality tank or reservoir, call or e-mail VESCOR for assistance and a quote.

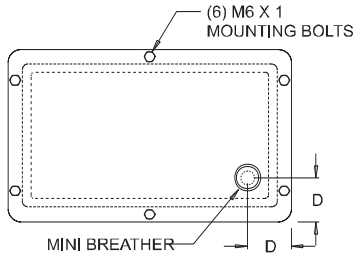
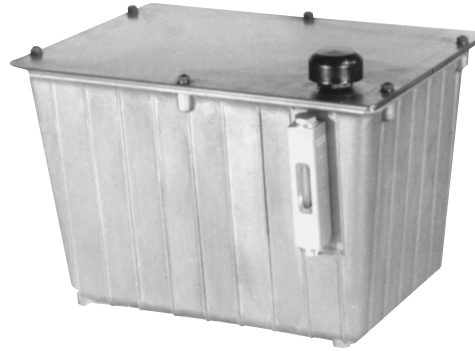
At VESCOR *Custom Reservoirs Are Standard.*



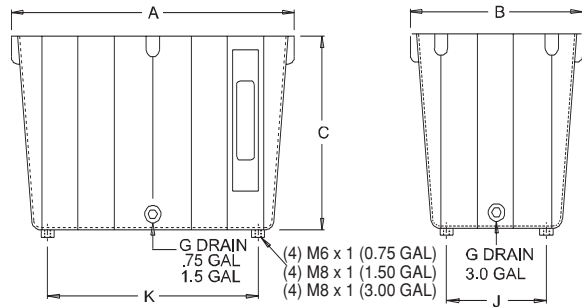
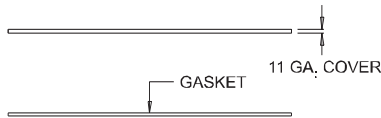
ALUMINUM RESERVOIRS

VESCOR® Aluminum Reservoirs

- Suitable for General Hydraulic Applications
- Drain Plug included on all sizes
- Vescor Guarantees 100% Leak Free
- Readily Available from Stock
- Tank Material – Cast Aluminum
- Cover Material – Steel



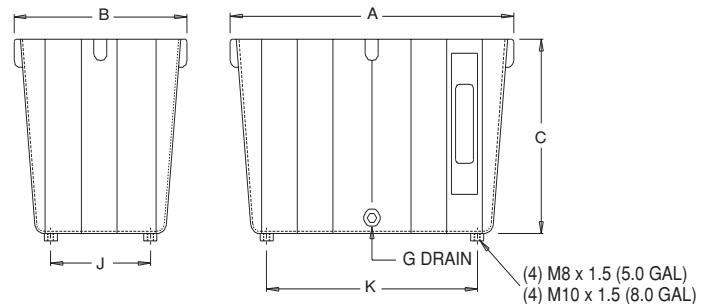
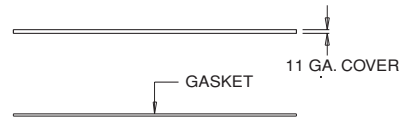
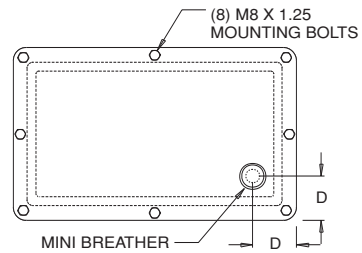
Vescor Part Number	Capacity		Dimensions						
	Gallons	Liters	A	B	C	D	G BSPP	J	K
63700	.75	3.00	8.66	6.29	5.91	1.25	1/4"	4.13	6.50
63705	1.5	6.50	11.02	7.82	6.93	1.25	1/4"	5.12	8.27
63706	3	12.00	13.39	9.72	8.66	1.25	3/8"	6.69	9.84



Each Aluminum Reservoir Includes:

- (1) Steel Cover Plate
- (1) Mini Breather (3/4" NPT)
- (1) Cover Gasket
- (1) Set Cover Mounting Hardware
- (1) Oil Level & Temp. Gauge
- (1) Drain Plug

Sight Gauge and Filler Breather shipped loose inside reservoir



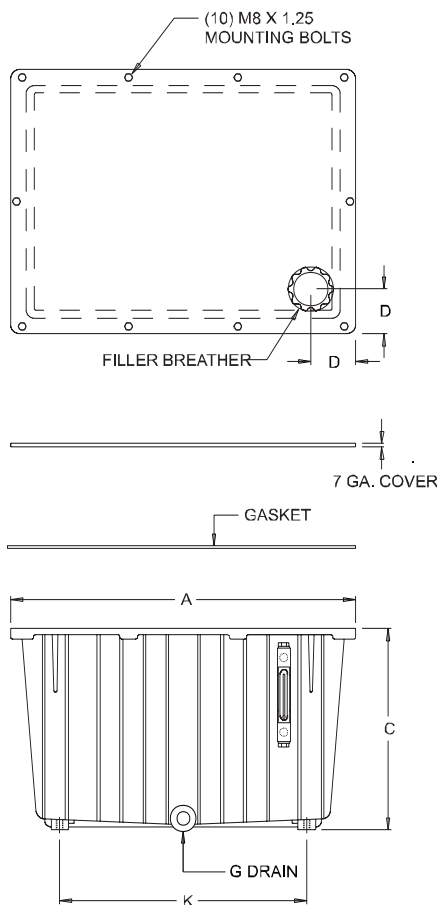
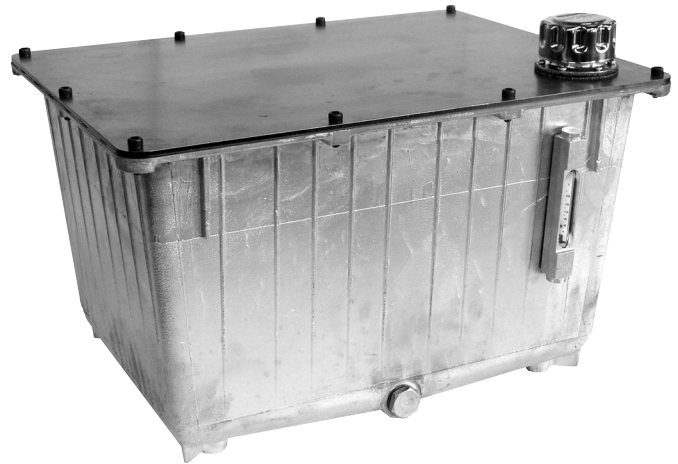
Vescor Part Number	Capacity		Dimensions						
	Gallons	Liter	A	B	C	D	G BSPP	J	K
63707	5.0	20.00	14.49	11.42	9.57	1.25	1/2"	7.56	10.63
63708	8.0	30.00	19.29	13.39	11.22	1.25	1/2"	6.93	12.84



ALUMINUM RESERVOIRS

VESCOR® Aluminum Reservoirs

- Suitable for General Hydraulic Applications
- Drain Plug included on all sizes
- Vescor Guarantees 100% Leak Free
- Readily Available from Stock
- Tank Material – Cast Aluminum
- Cover Material – Steel



Each Aluminum Reservoir Includes:

- (1) Steel Cover Plate
- (1) Filler Breather
- (1) Cover Gasket
- (1) Set Cover Mounting Hardware
- (1) Oil Level & Temp. Gauge
- (1) Drain Plug

Sight Gauge and Filler Breather shipped loose inside reservoir

Vescor Part Number	Capacity		Dimensions						
	Gallons	Liters	A	B	C	D	G BSPP	J	K
63709	14.50	55.00	14.49	17.72	13.58	3.00	3/4"	10.87	15.75
63710	20.00	76.00	23.43	17.72	18.31	3.00	3/4"	10.87	15.75