



# PRODUCT LISTING

## Reservoir Section

Reservoir Information	1-2
Installed Couplings and Return Lines	3
J.I.C. Type Reservoirs Style A	4-5
J.I.C. Jumbo Reservoirs	6
J.I.C. Type Reservoirs Style B	7
J.I.C. Type Reservoirs Style RB (Removable Baffle)	8
J.I.C. Type Reservoirs Style RT (Removable Top)	9
J.I.C. Type Reservoirs Style RT (Cover Plates)	10
“L” Shaped Reservoirs Style C	11
“L” Shaped Reservoirs Style D	12
“L” Shaped Reservoirs Style F	13
“T” Shaped Reservoirs	14
D.I.N. Type Reservoirs	15-18
Vertical Non-J.I.C. Type Reservoirs	19, 21
Cover Plates	20, 22
Dual Vertical Non-J.I.C. Type Reservoirs	23
Horizontal Non-J.I.C. Type Reservoirs	24-26
Vari-Pak Reservoirs	27-29
Custom Reservoirs	30
Aluminum Reservoirs	31-32
Containment Trays and Stands	33-34
Overhead Reservoir Bases	35-39

## Hydraulic Accessories Section

Motor Base Plates	40
Mounting Plates and Coupling Guards	41
Sight Gauges	42
Tank Magnets	43-44
Suction/Return Flanges, Grommets & Risers	45-47
Filler/Air Breathers	48-56

## Hydraulic Accessories Section (continued)

Accumulator Brackets & Clamps	57-58
End Covers	59-61
Heaters/Coolers	62-64
SAE Couplings	65-67
SAE Flanges	68-76
Cushion Clamps	77-80
Gear Pumps	81-84
Strainers/Diffusers	85-88
Pressure Gauges	89-90
Ball Valves	91-93
Hydraulic Filters	94-120
Clogging Indicators	121-122
Replacements Parts	123-124

## Pump Motor Adapter / Dampening Flange Section

Adapters for Electric Motors	125-141
Motor Spacers	142
Vertical Mounting Rings	143
Vertical Dampening Rings	144
Vertical Info/Selection Guide	145-146
Foot Mount Brackets	147-148
Dampening Flanges	149-155
Adapter Program	156
Dampening Bars	157-160
Gas Engine Adapters	161-166
Flexible Jaw Couplings	167-179
Flexible Drive Couplings	180-184

## New Product Section

Needle Valves/Flow Controls	185-187
-----------------------------	---------



## FACTS TO CONSIDER ON HYDRAULIC RESERVOIRS

### SIZING

Folklore rules of thumb proclaim that the reservoir should be from 2 to 5 times the size of the pump GPM. For example: a 20 GPM pump should have a reservoir of 40 to 100 gallon capacity. However, this rule of thumb may not necessarily be true, especially if heat exchangers are used. With a heat exchanger the reservoir could be as small as one times the size of the pump GPM. Some closed loop systems require virtually no reservoir at all.

The accurate method for sizing a reservoir is to determine the heat balance for your hydraulic system. Try to accurately determine the amount of heat that will be generated through lost work, then determine the reservoir space available and how much heat can be dissipated in that space. From these calculations the necessity and size of the heat exchanger and the proper size of the reservoir can be determined.

### INDOOR or OUTDOOR

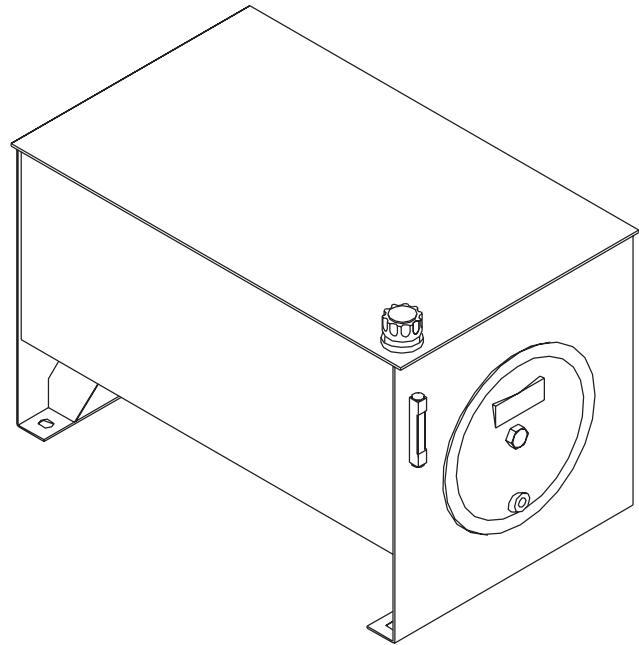
Reservoirs for indoor service usually have rubber grommets in the top plates for sealing suction and return lines. These grommets are not water tight. For outdoor reservoirs, welded couplings are used to seal the suction and return lines from weather and foreign fluids. For reservoirs requiring wash downs, welded couplings should also be used to prevent wash fluids from entering the tank.

Tank heaters are essential in cold climates. The most common heaters used are electrical immersion heaters. Most of them require a welded coupling in the tank side for installation. Sizing of the immersion heaters falls into two categories.

1. Sizing the immersion heater for maintaining the oil temperature when the pump is not running.

*For sizing the immersion heater to maintain the oil temperature, calculate the total surface area of the tank (include all four sides plus top and bottom) in square feet. Then use the following approximate formula for heat transfer between a steel surface and surrounding air:*

$$WATTS = 0.01 \times \text{AREA OF TANK (SQUARE FEET)} \times \text{TEMPERATURE DIFFERENCE(°F)}$$



2. Sizing the immersion heater to heat the hydraulic oil to pump suction temperature requirements in a given time.

*For sizing the immersion heater to heat the hydraulic oil. Use the following rule of thumb:*

*ONE WATT WILL HEAT ONE GALLON ONE °F IN ONE HOUR*

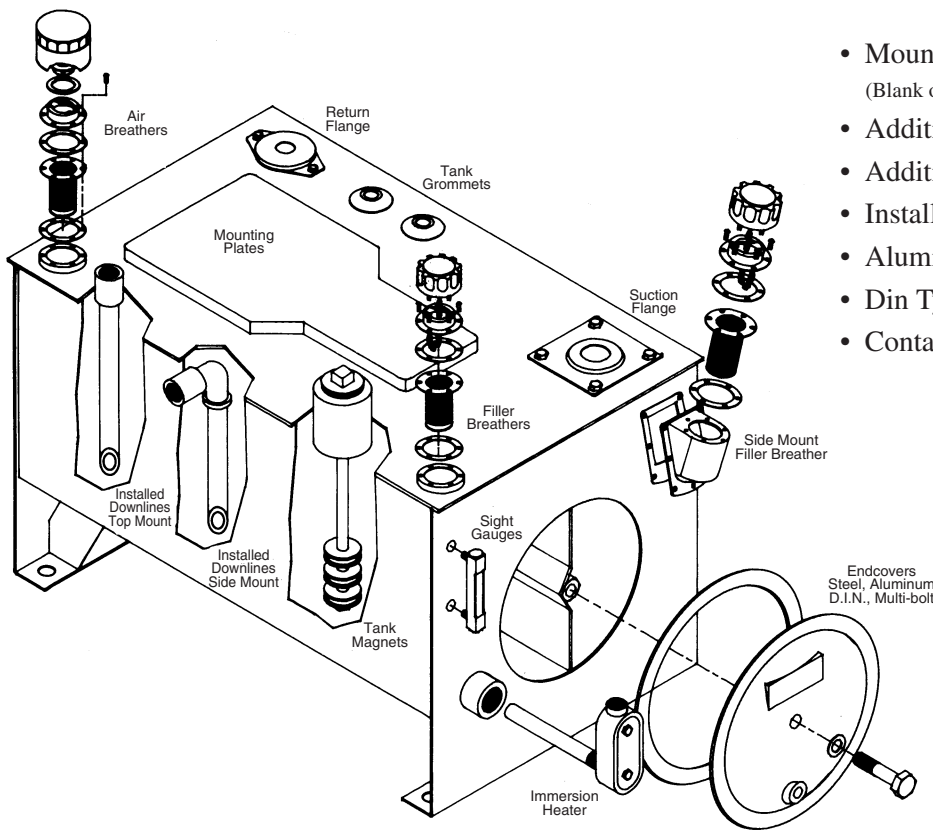
Location of the reservoir is important. Adequate air circulation should be provided. For outdoor location, shield the tank from direct sun radiation and protect it from weather, if possible. For indoor location shield the tank from furnace and steam lines and other radiation. The reservoir can be painted white to help reflect radiant heat or painted black to help radiate heat from tank to atmosphere.

You will note that no discussion of the sizing of cooling heat exchangers is given here. Most full line hydraulic manufacturers and distributors have complete data for sizing. If you require information for your specific needs and cannot obtain assistance, contact us and we will help you.



# VESCOR RESERVOIRS

## AVAILABLE OPTIONS FROM VESCOR®



- Mounting Plates  
(Blank or Drilled and Tapped to your specifications)
- Additional Sight Gauges
- Additional Filler Breathers
- Installed Couplings
- Aluminum Endcovers
- Din Type Endcovers
- Containment Trays/Stand

## IMPORTANT FEATURES / STANDARD EQUIPMENT

- All VESCOR J.I.C. Reservoirs meet all J.I.C., N.F.P.A., and A.S.L.E. standards
- All VESCOR Reservoirs are skillfully fabricated from hot rolled steel plate and sheet. All steel is pickled and oiled which eliminates the need for sandblasting.
- Stationery baffles are properly slotted providing correct oil circulation.
- Single bolt endcovers provide the maximum opening for cleanout of reservoir.
- All VESCOR Reservoirs include sight gauge with thermometer and filler breather as standard equipment.
- Endcovers include bayonet gasket for positive seal.
- Reservoir exterior prime painted.

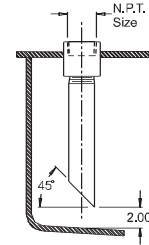
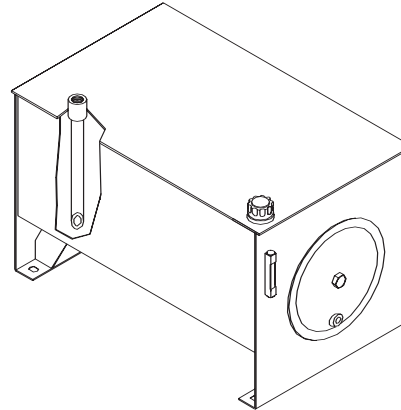


# INSTALLED COUPLINGS and RETURN LINES

## Basic Top Mount

**Benefits:**

- Customer specified locations
- Customer specified sizes
- No cutting of holes to install couplings
- Low cost
- Rapid assembly of power unit

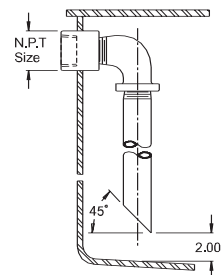
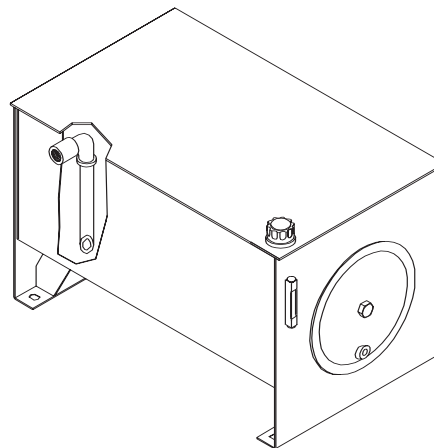


Reservoir Size (gals)	Return Lines Available with Schedule 40 Pipe							
	1/2" NPT #8 SAE	3/4" NPT #10 SAE	1" NPT #12 SAE	1-1/4" NPT #14 SAE	1-1/2" NPT #16 SAE	2" NPT #20 SAE	2-1/2" NPT #24 SAE	3" NPT #32 SAE
10 to 20	•	•	•					
30 to 40	•	•	•	•				
50 to 60	•	•	•	•	•			
80 to 100		•	•	•	•	•		
120 to 150			•	•	•	•	•	
200 and up			•	•	•	•	•	•

## Basic Side Mount

**Benefits:**

- Customer specified locations
- Customer specified sizes
- No cutting of holes to install couplings
- Low cost
- Rapid assembly of power unit

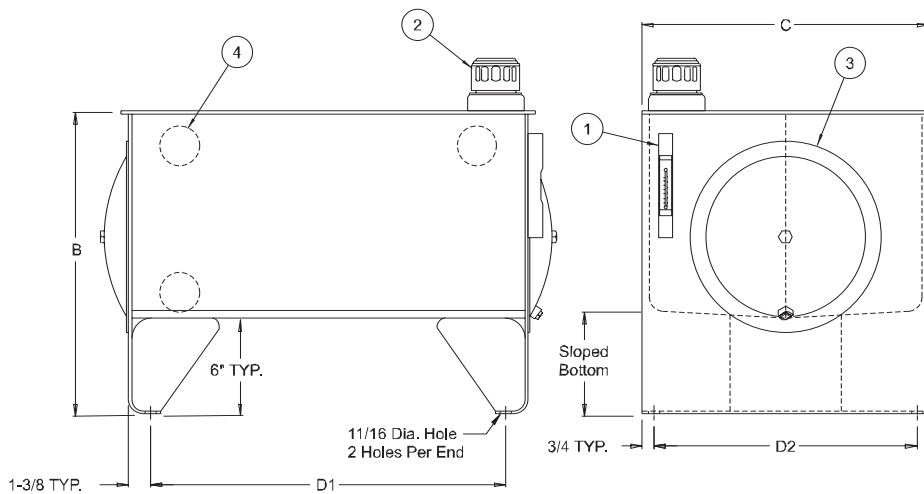
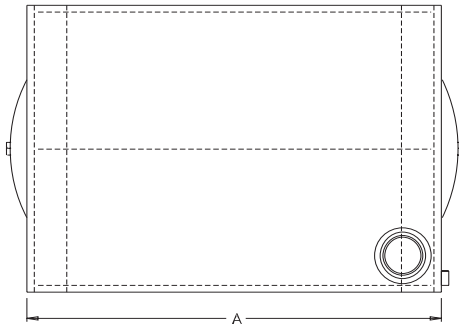
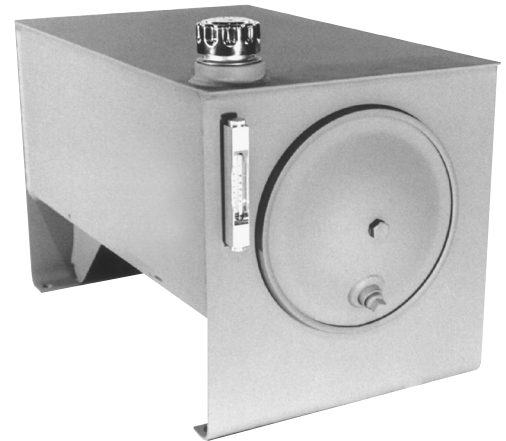


Reservoir Size (gals)	Return Lines Available with Schedule 40 Pipe							
	1/2" NPT #8 SAE	3/4" NPT #10 SAE	1" NPT #12 SAE	1-1/4" NPT #14 SAE	1-1/2" NPT #16 SAE	2" NPT #20 SAE	2-1/2" NPT #24 SAE	3" NPT #32 SAE
10 to 20	•	•	•					
30 to 40	•	•	•	•				
50 to 60	•	•	•	•	•			
80 to 100		•	•	•	•	•		
120 to 150			•	•	•	•	•	
200 and up			•	•	•	•	•	•



# J.I.C. TYPE RESERVOIRS

## Style A



### Each Style A Reservoir Includes:

1. (1) Oil Level & Temp. Gauge
2. (1) Riser with Filler Breather
3. (2) Steel Endcovers with Gaskets  
\*(1) Endcover includes 3/4" NPT Drain
4. Baffle with cutouts for circulation
5. Exterior of reservoir prime painted
6. Interior of reservoir coated with rust preventive oil

### Sight Gauge

10 to 200 gallon - 5" sight gauge (ALG5T)  
300 gallon and up - 10" sight gauge (FMALG10T)

### Filler Breather

Bayonet Style - 40 micron (5201)

*Sight Gauge and Filler Breather shipped loose inside reservoir*

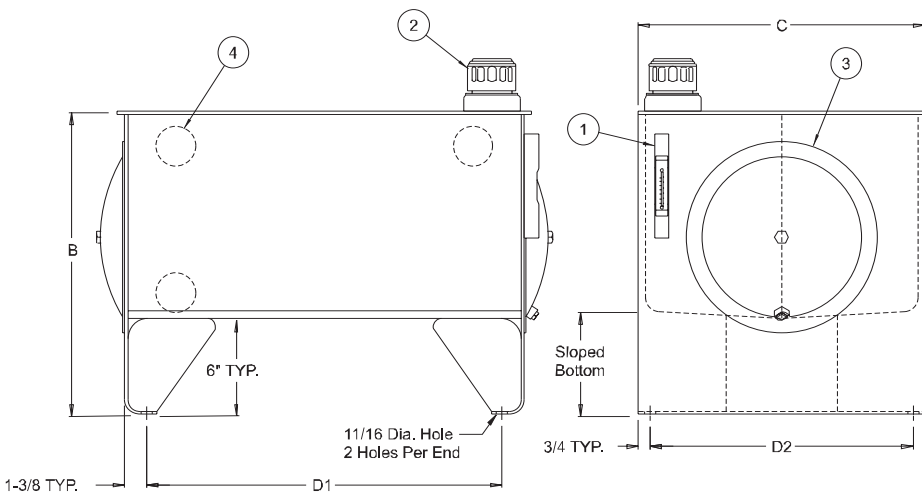
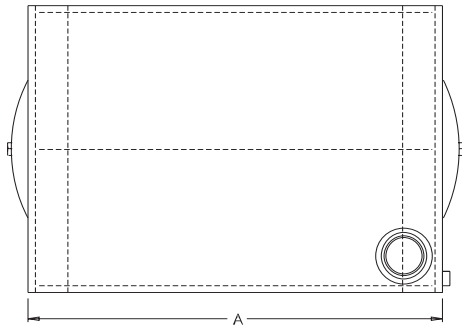
Capacity Gallons	Vescor Part Number	Tank Dimensions (inches)					End Cover	Material Thickness		Shipping Weight
		A Length	B Height	C Width	Mounting Centers D1 ±1/8"	Mounting Centers D2 ±1/8"		End	Top	
10	10010	22"	19"	18"	18 1/4"	16 1/2"	12"	7 GA.	7 GA.	105#
15	10015	26"	19"	18"	22 1/4"	16 1/2"	12"	7 GA.	7 GA.	105#
20	10020	30"	19"	18"	26 1/4"	16 1/2"	12"	7 GA.	7 GA.	124#
30	10030	36"	19 3/8"	24"	32 1/4"	22 1/2"	12"	7 GA.	7 GA.	178#
40	10040	36"	21"	24"	32 1/4"	22 1/2"	12"	7 GA.	7 GA.	190#
50	10050	36"	23"	24"	32 1/4"	22 1/2"	16"	7 GA.	7 GA.	200#
60	10060	48"	20 9/16"	27"	44 1/4"	25 1/2"	16"	7 GA.	1/4"	266#
80	10080	60"	21 1/2"	27"	56 1/4"	25 1/2"	16"	7 GA.	3/8"	398#
100	100100	60"	23 1/2"	27"	56 1/4"	25 1/2"	16"	7 GA.	3/8"	418#
120	100120	60"	27"	30"	56 1/4"	28 1/2"	16"	3/8"	3/8"	616#
150	100150	60"	31"	30"	56 1/4"	28 1/2"	16"	3/8"	3/8"	681#
200	100200	72"	29 3/8"	36"	68 1/4"	34 1/2"	18"	3/8"	3/8"	908#
300	100300	72"	38 1/2"	36"	68 1/4"	34 1/2"	18"	3/8"	3/8"	999#
400	100400	72"	38 1/2"	48"	68 1/4"	46 1/2"	18"	3/8"	1/2"	1578#
500	100500	72"	43"	48"	68 1/4"	46 1/2"	18"	3/8"	1/2"	1733#
600	100600	96"	43"	48"	92 1/4"	46 1/2"	18"	3/8"	1/2"	1838#
700	100700	96"	49"	48"	92 1/4"	46 1/2"	18"	3/8"	1/2"	1996#

NOTE: WITH VESCORS' POLICY OF CONSTANTLY IMPROVING ITS PRODUCTS, SPECIFICATIONS ARE SUBJECT TO CHANGE WITHOUT NOTICE.



# J.I.C. TYPE RESERVOIRS

## Style A Stainless Steel



### Each Stainless Steel Style A

#### Reservoir Includes:

1. (1) Oil Level & Temp. Gauge
2. (1) Riser with Filler Breather
3. (2) Stainless Steel Endcovers with Gaskets  
\*(1) Endcover includes 3/4" NPT Drain
4. Baffle with cutouts for circulation
5. Material - 304 Stainless Steel

#### Sight Gauge

10 to 200 gallon - 5" sight gauge (ALG5T)  
300 gallon and up - 10" sight gauge (FMALG10T)

#### Filler Breather

Bayonet Style - 40 micron (5201)

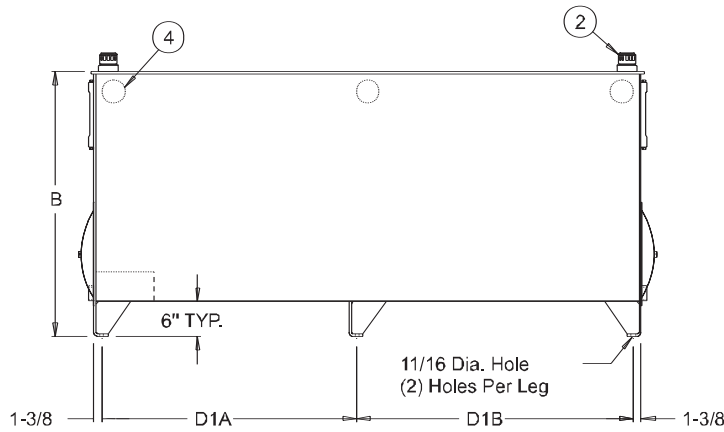
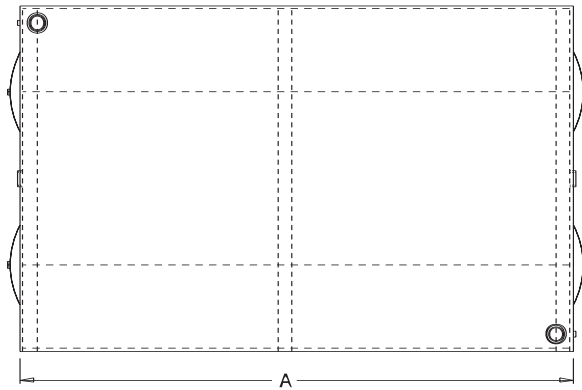
**Note:** Sight Gauge and Filler Breather  
are not stainless steel

*Sight Gauge and Filler Breather shipped loose  
inside reservoir*

Capacity Gallons	Vescor Part Number	Tank Dimensions (inches)					End Cover	Material Thickness		Shipping Weight
		A Length	B Height	C Width	Mounting Centers D1 ±1/8	Mounting Centers D2 ±1/8		End	Top	
10	23610	22"	19"	18"	18 1/4"	16 1/2"	12"	7 GA.	7 GA.	105#
15	23615	26"	19"	18"	22 1/4"	16 1/2"	12"	7 GA.	7 GA.	105#
20	23620	30"	19"	18"	26 1/4"	16 1/2"	12"	7 GA.	7 GA.	124#
30	23630	36"	19 3/8"	24"	32 1/4"	22 1/2"	12"	7 GA.	7 GA.	178#
40	23640	36"	21"	24"	32 1/4"	22 1/2"	12"	7 GA.	7 GA.	190#
50	23650	36"	23"	24"	32 1/4"	22 1/2"	16"	7 GA.	7 GA.	200#
60	23660	48"	20 9/16"	27"	44 1/4"	25 1/2"	16"	7 GA.	1/4"	266#
80	23680	60"	21 1/2"	27"	56 1/4"	25 1/2"	16"	7 GA.	3/8"	398#
100	236100	60"	23 1/2"	27"	56 1/4"	25 1/2"	16"	7 GA.	3/8"	418#
120	236120	60"	27"	30"	56 1/4"	28 1/2"	16"	3/8"	3/8"	616#
150	236150	60"	31"	30"	56 1/4"	28 1/2"	16"	3/8"	3/8"	681#
200	236200	72"	29 3/8"	36"	68 1/4"	34 1/2"	16"	3/8"	3/8"	908#
300	236300	72"	38 1/2"	36"	68 1/4"	34 1/2"	16"	3/8"	3/8"	999#
400	236400	72"	38 1/2"	48"	68 1/4"	46 1/2"	16"	3/8"	3/8"	1460#
500	236500	72"	43"	48"	68 1/4"	46 1/2"	16"	3/8"	3/8"	1618#
600	236600	96"	43"	48"	92 1/4"	46 1/2"	16"	3/8"	3/8"	1685#
700	236700	96"	49"	48"	92 1/4"	46 1/2"	16"	3/8"	3/8"	1843#



# JUMBO J.I.C. TYPE RESERVOIRS



### Each Jumbo JIC Reservoir Includes:

1. (2) Oil Level and Temperature Gauges
2. (2) Risers with Filler Breathers
3. (4) Steel Endcovers with Gaskets
4. (2) Baffles with cutouts for circulation
5. (2) 2" NPT Drains
6. Exterior of reservoir prime painted
7. Interior of reservoir coated with rust preventive oil.

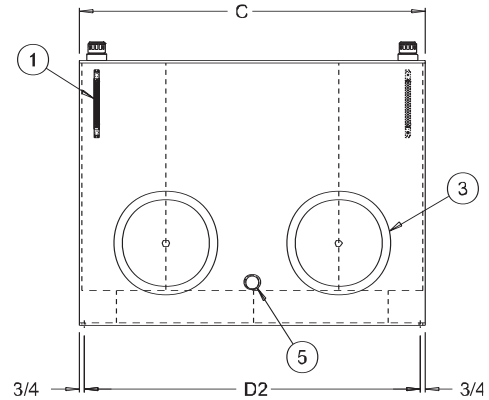
### Sight Gauge

800 to 1000 gallon -10" Sight Gauge (FMALG10T)

### Filler Breather

Bayonet Style - 40 micron (5201)

*Sight Gauge and Filler Breather shipped loose inside reservoir*



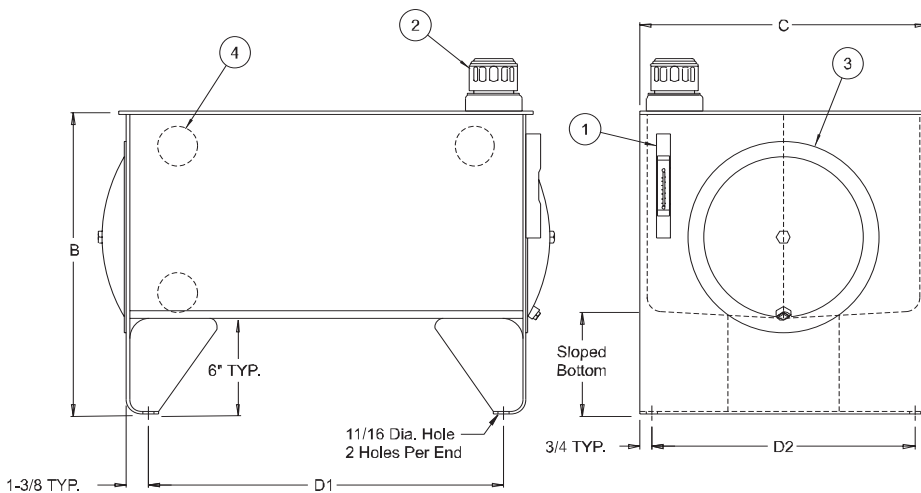
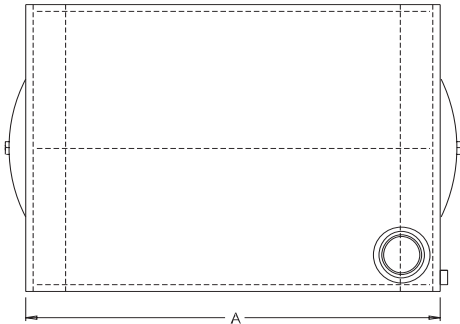
Capacity Gallons	Vescor Part Number	Tank Dimensions (inches)							Material Thickness		Shipping Weight (lbs.)
		A Length	B Height	C Width	Mounting Centers			End Cover	Top	Ends	
800	<b>100800</b>	96"	46"	60"	D1A±1/8"	D1B±1/8"	D2±1/8"	18"	1/2"	3/8"	2696#
900	<b>100900</b>	96"	51"	60"	44 1/4"	48"	58 1/2"	18"	1/2"	3/8"	2860#
1000	<b>1001000</b>	96"	56"	60"	44 1/4"	48"	58 1/2"	18"	1/2"	3/8"	3025#

Note: Jumbo JIC Reservoirs are standard non-stock reservoirs. Consult factory for lead times.



# J.I.C. TYPE RESERVOIRS

## Style B



### Each Style B Reservoir Includes:

1. (1) Oil Level & Temp Gauge
2. (1) Riser with Filler Breather
3. (2) Steel Endcovers with Gaskets  
\*(1) Endcover includes 3/4" NPT Drain
4. Baffle with cutouts for circulation
5. Exterior of reservoir prime painted
6. Interior of reservoir coated with rust preventive oil

### Sight Gauge

10 to 400 gallon - 5" sight gauge (ALG5T)

### Filler Breather

Bayonet Style - 40 micron (5201)

*Sight Gauge and Filler Breather shipped loose inside reservoir*

Capacity Gallons	Vescor Part Number	Tank Dimensions (inches)			Mounting Centers		End Cover	Material Thickness		Shipping Weight
		A Length	B Height	C Width	D1 ±1/8"	D2 ±1/8"		Ends	Top	
10	37510	24"	18"	16"	20 1/4"	14 1/2"	12"	11 GA.	7 GA.	80#
20	37520	32"	18"	21"	28 1/4"	19 1/2"	12"	11 GA.	7 GA.	94#
60	37560	38"	25"	25"	34 1/4"	23 1/2"	16"	7 GA.	1/4"	242#
80	37580	47"	27"	30"	43 1/4"	28 1/2"	16"	7 GA.	1/4"	365#
100	375100	47"	29"	30"	43 1/4"	28 1/2"	16"	7 GA.	1/4"	375#
120	375120	60"	27"	30"	56 1/4"	28 1/2"	16"	7 GA.	3/8"	512#
150	375150	60"	31"	30"	56 1/4"	28 1/2"	16"	7 GA.	3/8"	523#
200	375200	72"	29"	36"	68 1/4"	34 1/2"	18"	1/4"	3/8"	769#
*250	375250	72"	35"	36"	68 1/4"	34 1/2"	18"	1/4"	3/8"	900#
300	375300	82"	29"	48"	77"	45"	18"	1/4"	1/2"	1306#
+400	375400	96"	23 3/4"	72"	92 1/4"	70 1/2"	18"	3/8"	1/2"	2066#

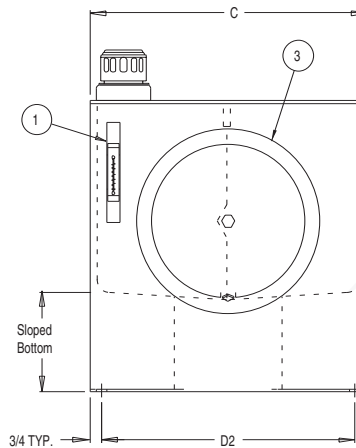
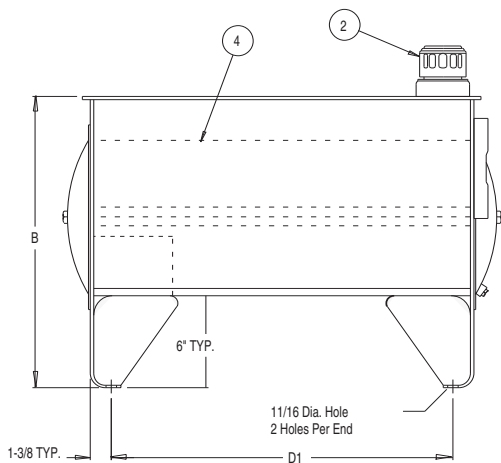
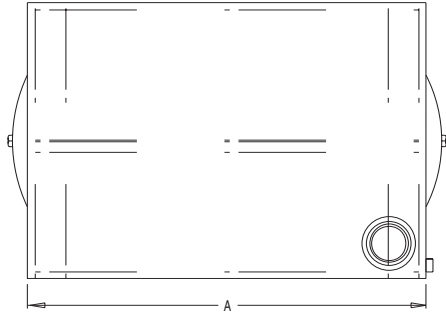
\* Non-stock special order item. +(2) baffles (4) endcovers (2) with 3/4" NPT drains provided





# J.I.C. TYPE RESERVOIRS

## Style RB Removable Baffle



### Each Style RB Reservoir Includes:

- (1) Oil Level & Temp. Gauge
- (1) Riser with Filler Breather
- (2) Steel Endcovers with Gaskets  
\*(1) endcover includes 3/4" NPT Drain
- Removable Baffle
- Exterior of reservoir prime painted
- Interior of reservoir coated with rust preventive oil

### Sight Gauge

10 to 300 gallon - 5" sight gauge (ALG5T)

### Filler Breather

Bayonet Style - 40 micron (5201)

*Sight Gauge and Filler Breather shipped loose inside reservoir*

Capacity Gallons	Vescor Part Number	Tank Dimensions (inches)					Material Thickness		Shipping Weight	
		A Length	B Height	C Width	Mounting Centers		Ends	Top		
					D1 ±1/8	D2 ±1/8	End Cover			
10	19910	24"	18"	16"	20 1/4"	14 1/2"	12"	10 GA.	7 GA.	80#
15	19915	26"	19"	18"	22 1/4"	16 1/2"	12"	7 GA.	7 GA.	105#
20	19920	32"	18"	21"	28 1/4"	19 1/2"	12"	7 GA.	7 GA.	124#
30	19930	36"	19 3/8"	24"	32 1/4"	22 1/2"	12"	7 GA.	7 GA.	178#
40	19940	36"	21"	24"	32 1/4"	22 1/2"	12"	7 GA.	7 GA.	190#
50	19950	36"	23"	24"	32 1/4"	22 1/2"	12"	7 GA.	7 GA.	200#
60	19960	38"	25"	25"	34 1/4"	23 1/2"	18"	7 GA.	1/4"	242#
80	19980	47"	27"	30"	43 1/4"	28 1/2"	18"	7 GA.	1/4"	365#
100	199100	47"	29"	30"	43 1/4"	28 1/2"	18"	7 GA.	1/4"	375#
120	199120	60"	27"	30"	56 1/4"	28 1/2"	18"	7 GA.	3/8"	512#
150	199150	60"	31"	30"	56 1/4"	28 1/2"	18"	7 GA.	3/8"	523#
200	199200	72"	29"	36"	68 1/4"	34 1/2"	18"	1/4"	3/8"	769#
300	199300	82"	29"	48"	77"	45"	18"	1/4"	1/2"	1306#



# J.I.C. TYPE RESERVOIRS

## Style RT

### Each Style RT Reservoir Includes:

1. (1) Oil Level & Temp Gauge
2. Endcover(s) with Gasket(s)
3. Baffle with cutout for circulation
4. (1) 3/4" NPT Drain
5. (1) Return Connection
6. Channel Gasket for Removable Top (see note)
7. Exterior of reservoir prime painted
8. Interior of reservoir coated with rust preventive oil

**NOTE: Removable Top Plates are ordered as separate items (see page 12)**

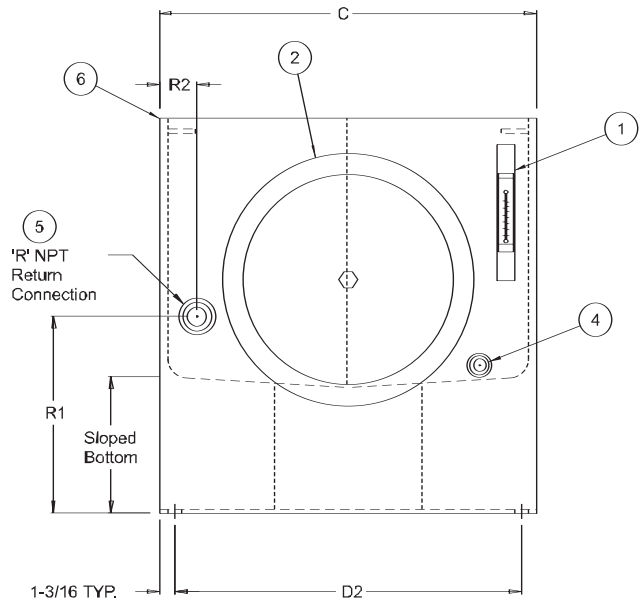
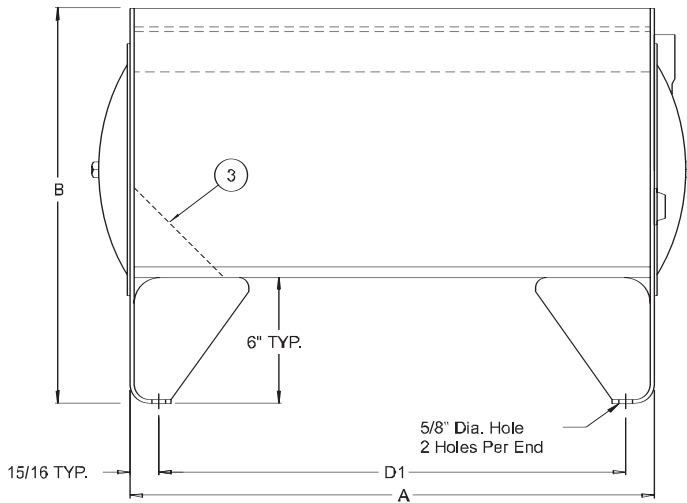
### Cleanout Covers

10 and 20 Gallon	35 Gallon	50 to 210 Gallon
(1) 10" Dia. cleanout (sight gauge end only)	(1) 10" Dia. cleanout/both ends	(1) 14" Dia. cleanout/both ends

### Sight Gauge

10 to 210 gallon - 5" sight gauge (ALG5T)

*Sight Gauge shipped loose inside reservoir, Filler Breather included with cover plate*



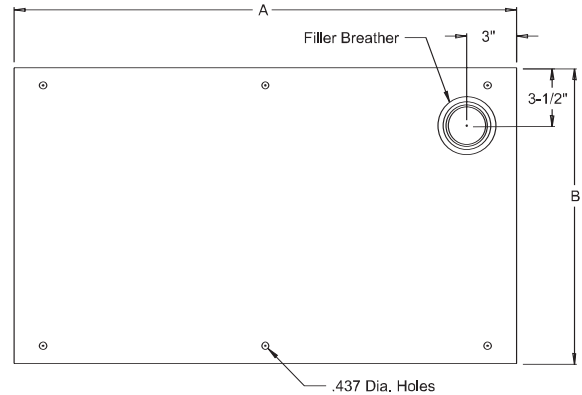
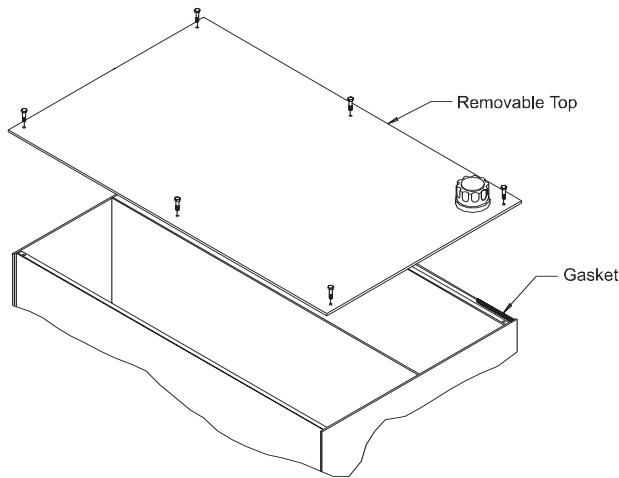
Capacity Gallons	Vescor Part Number	Tank Dimensions (inches)			Mounting Centers		Return Connections			Shipping Weight
		A Length	B Height	C Width	D1 ±1/8"	D2 ±1/8"	R1	R2	R	
10	12210	18 1/4"	18"	17 7/8"	16 3/8"	15 1/2"	8 1/2"	1 1/2"	1/2" NPT	90#
20	12220	29 3/8"	18"	17 7/8"	27 1/2"	15 1/2"	8 1/2"	1 1/2"	1" NPT	120#
35	12235	35 3/8"	18 1/4"	23 7/8"	33 1/2"	21 1/2"	9 1/2"	3"	1 1/2" NPT	160#
50	12250	35 3/8"	23"	23 7/8"	33 1/2"	21 1/2"	9 1/2"	3"	1 1/2" NPT	197#
70	12270	47 3/8"	21"	26 7/8"	45 1/2"	24 1/2"	9 1/2"	3"	1 1/2" NPT	235#
90	12209	59 3/8"	21 1/2"	26 7/8"	57 1/2"	24 1/2"	9 1/2"	3"	2" NPT	281#
130	122130	59 3/8"	26"	29 7/8"	57 1/2"	27 1/2"	9 1/2"	3"	2" NPT	345#
160	122160	59 3/8"	31"	29 7/8"	57 1/2"	27 1/2"	9 1/2"	3"	2" NPT	398#
210	122210	71 3/8"	28 1/4"	35 7/8"	69"	33 1/2"	9 1/2"	3"	2" NPT	484#

NOTE: Removable Top Plates are ordered as separate items (see page 12). Weights do not include covers.



# REMOVABLE TOPS

## Style RT Removable Top



### Each Style RT Removable Top Includes:

1. (1) Riser with Filler Breather
2. (1) Set of Mounting Hardware
3. Exterior surface of removable top prime painted

**Filler Breather:** Bayonet Style - 40 micron (5201)

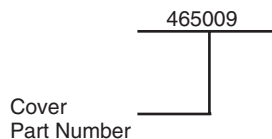
Vescor Part Number	Description Gallons	Cover	Dimensions		Shipping Weight
			A	B	
465001	10	1/4"	19"	18"	25#
465002	10	3/8"	19"	18"	37#
465003	10	1/2"	19"	18"	50#
465004	20	1/4"	30"	18"	39#
465005	20	3/8"	30"	18"	59#
465006	20	1/2"	30"	18"	78#
465007	35/50	1/4"	36"	24"	62#
465008	35/50	3/8"	36"	24"	94#
465009	35/50	1/2"	36"	24"	123#
*465010	35/50	3/4"	36"	24"	184#
465015	70	1/4"	48"	27"	93#
465016	70	3/8"	48"	27"	140#
465017	70	1/2"	48"	27"	186#
*465018	70	3/4"	48"	27"	279#

Vescor Part Number	Description Gallons	Cover	Dimensions		Shipping Weight
			A	B	
465019	90	1/4"	60"	27"	116#
465020	90	3/8"	60"	27"	175#
465021	90	1/2"	60"	27"	232#
*465022	90	3/4"	60"	27"	348#
465023	130/160	1/4"	60"	30"	129#
465024	130/160	3/8"	60"	30"	194#
465026	130/160	1/2"	60"	30"	258#
*465027	130/160	3/4"	60"	30"	387#
*465028	130/160	1"	60"	30"	516#
465034	210	1/4"	72"	36"	186#
465035	210	3/8"	72"	36"	278#
465036	210	1/2"	72"	36"	371#
*465037	210	3/4"	72"	36"	566#
*465038	210	1"	72"	36"	736#

\*Standard non stock top - consult factory for lead times

### ORDERING INFORMATION:

Reservoirs do not include Removable Tops.  
**Removable Tops are ordered as separate items.**  
 Please use VESCOR part number when ordering.

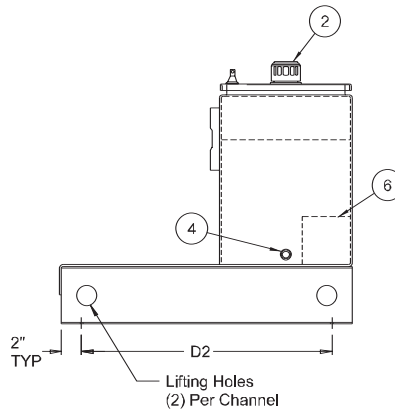
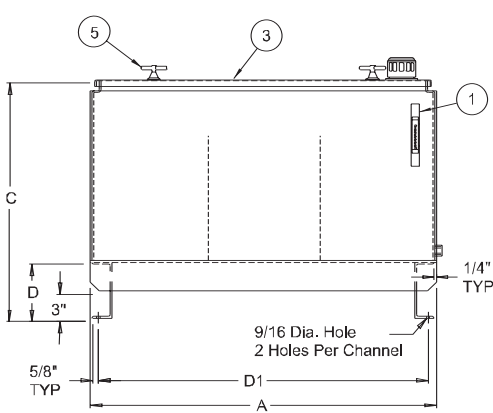
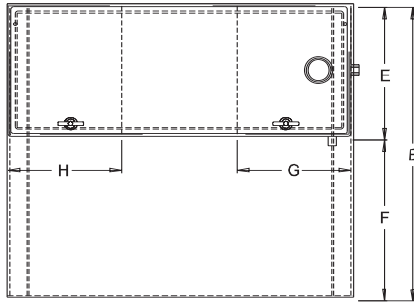


NOTE:  
 Removable Top in example is a 1/2" thick top for a 35 gallon RT Reservoir.



# "L" SHAPED RESERVOIRS

## Style C



### Each "L" Shaped Style C Reservoir Includes:

1. (1) Oil Level & Temp. Gauge
2. (1) Filler Breather
3. (1) Hinged Cover with gasket
4. (1) 3/4" NPT Drain
5. (2) T-Handles (3) for 200 gallon and up
6. Baffle(s) with cutout for circulation
7. Exterior of reservoir prime painted
8. Interior of reservoir coated with rust preventive oil.
9. 100 gallon to 600 gallon include (1) door chain (not shown)

### Sight Gauge

10 to 200 gallon - 5" sight gauge (ALG5T)  
 300 gallon and up - 10" sight gauge (FMALG10T)

### Filler Breather

Bayonet Style - 40 micron (5201)

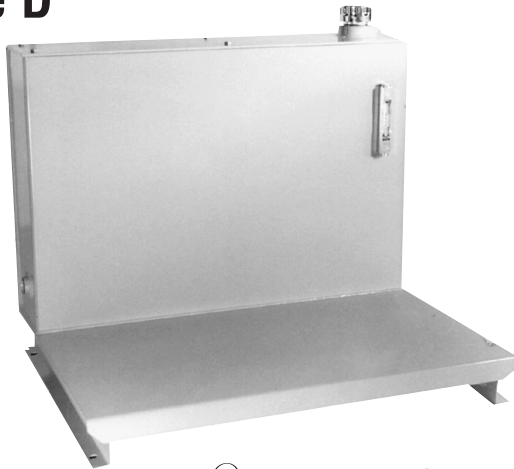
*Sight Gauge and Filler Breather shipped loose inside reservoir*

Capacity Gallons	Vescor Part Number	Tank Dimensions (inches)								Mounting Centers		Shipping Weight
		A	B	C	D	E	F	G	H	D <sub>1</sub> ±1/8"	D <sub>2</sub> ±1/8"	
10	VL-10	24"	23 <sup>3</sup> / <sub>8</sub> "	23 <sup>7</sup> / <sub>8</sub> "	6 <sup>3</sup> / <sub>16</sub> "	11 <sup>1</sup> / <sub>8</sub> "	12 <sup>1</sup> / <sub>4</sub> "	11"	N/A	22 <sup>1</sup> / <sub>4</sub> "	19"	135#
20	VL-20	30"	27 <sup>3</sup> / <sub>8</sub> "	25 <sup>7</sup> / <sub>8</sub> "	6 <sup>3</sup> / <sub>16</sub> "	13 <sup>1</sup> / <sub>2</sub> "	13 <sup>7</sup> / <sub>8</sub> "	12"	N/A	28 <sup>1</sup> / <sub>4</sub> "	23"	183#
30	VL-30	36"	30 <sup>3</sup> / <sub>8</sub> "	29 <sup>7</sup> / <sub>8</sub> "	6 <sup>3</sup> / <sub>16</sub> "	13 <sup>3</sup> / <sub>4</sub> "	16 <sup>5</sup> / <sub>8</sub> "	12"	N/A	34 <sup>1</sup> / <sub>4</sub> "	26"	240#
45	VL-45	54"	31 <sup>3</sup> / <sub>8</sub> "	29 <sup>7</sup> / <sub>8</sub> "	6 <sup>3</sup> / <sub>16</sub> "	13 <sup>3</sup> / <sub>4</sub> "	17 <sup>5</sup> / <sub>8</sub> "	12"	12"	52 <sup>1</sup> / <sub>4</sub> "	27"	335#
60	VL-60	48"	37 <sup>3</sup> / <sub>8</sub> "	35 <sup>7</sup> / <sub>8</sub> "	6 <sup>3</sup> / <sub>16</sub> "	16 <sup>3</sup> / <sub>4</sub> "	20 <sup>5</sup> / <sub>8</sub> "	16"	N/A	46 <sup>1</sup> / <sub>4</sub> "	33"	376#
80	VL-80	66"	38 <sup>9</sup> / <sub>16</sub> "	36 <sup>1</sup> / <sub>16</sub> "	6 <sup>3</sup> / <sub>8</sub> "	16 <sup>3</sup> / <sub>8</sub> "	22"	16"	16"	64 <sup>1</sup> / <sub>4</sub> "	34"	670#
100	VL-100	60"	42 <sup>9</sup> / <sub>16</sub> "	39 <sup>1</sup> / <sub>16</sub> "	6 <sup>3</sup> / <sub>8</sub> "	19 <sup>3</sup> / <sub>8</sub> "	23"	16"	N/A	58 <sup>1</sup> / <sub>4</sub> "	38"	715#
120	VL-120	72"	42 <sup>9</sup> / <sub>16</sub> "	39 <sup>1</sup> / <sub>16</sub> "	6 <sup>3</sup> / <sub>8</sub> "	19 <sup>3</sup> / <sub>8</sub> "	23"	16"	16"	70 <sup>1</sup> / <sub>4</sub> "	38"	836#
150	VL-150	72"	50 <sup>9</sup> / <sub>16</sub> "	39 <sup>1</sup> / <sub>16</sub> "	6 <sup>3</sup> / <sub>8</sub> "	25 <sup>3</sup> / <sub>8</sub> "	25"	16"	N/A	70 <sup>1</sup> / <sub>4</sub> "	46"	939#
200	VL-200	84"	51 <sup>9</sup> / <sub>16</sub> "	42 <sup>1</sup> / <sub>16</sub> "	6 <sup>3</sup> / <sub>8</sub> "	25 <sup>3</sup> / <sub>8</sub> "	26"	16"	16"	82 <sup>1</sup> / <sub>4</sub> "	47"	1128#
300	VL-300	84"	60"	54 <sup>3</sup> / <sub>16</sub> "	6 <sup>1</sup> / <sub>2</sub> "	25 <sup>3</sup> / <sub>8</sub> "	34 <sup>7</sup> / <sub>16</sub> "	16"	16"	82 <sup>1</sup> / <sub>4</sub> "	55 <sup>1</sup> / <sub>2</sub> "	1400#
400	VL-400	84"	60"	54 <sup>3</sup> / <sub>16</sub> "	6 <sup>1</sup> / <sub>2</sub> "	28 <sup>3</sup> / <sub>8</sub> "	31 <sup>7</sup> / <sub>16</sub> "	16"	16"	82 <sup>1</sup> / <sub>4</sub> "	55 <sup>1</sup> / <sub>2</sub> "	1610#
500	VL-500	84"	60"	60 <sup>3</sup> / <sub>16</sub> "	6 <sup>1</sup> / <sub>2</sub> "	32 <sup>3</sup> / <sub>8</sub> "	27 <sup>7</sup> / <sub>16</sub> "	18"	18"	82 <sup>1</sup> / <sub>4</sub> "	55 <sup>1</sup> / <sub>2</sub> "	1782#
600	VL-600	90"	62"	66 <sup>3</sup> / <sub>16</sub> "	6 <sup>1</sup> / <sub>2</sub> "	30 <sup>3</sup> / <sub>8</sub> "	31 <sup>7</sup> / <sub>16</sub> "	22"	22"	88 <sup>1</sup> / <sub>4</sub> "	57 <sup>1</sup> / <sub>2</sub> "	1838#



# "L" SHAPED RESERVOIRS

## Style D



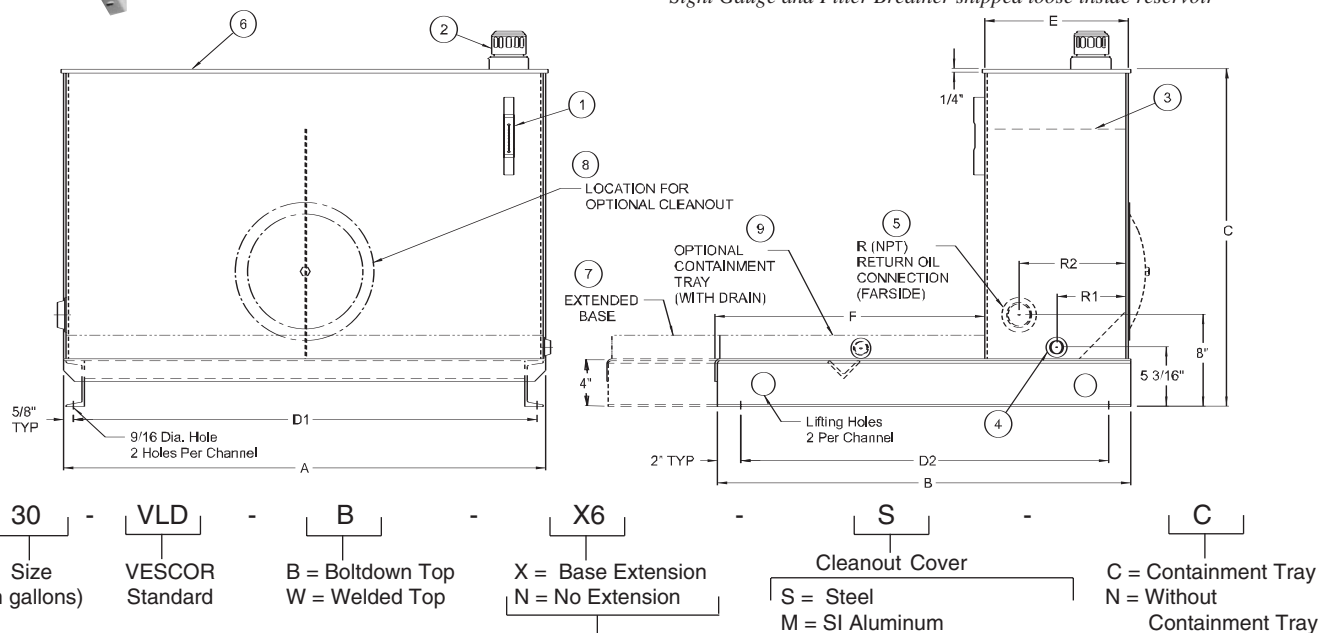
### Each "L" Shaped Style D Reservoir Includes:

1. (1) Oil Level & Temp. Gauge
2. (1) Riser with Filler Breather
3. Baffle with cutout for circulation
4. (1) 3/4" NPT Drain
5. (1) Return connection
6. Customer Choice of Removable or Welded Top
7. Customer Choice of Extended Base
8. Optional Endcover (Steel, SI or DIN)
9. Optional Containment Tray with Drain
10. Exterior of reservoir prime painted
11. Interior of reservoir coated with rust preventive oil

**Sight Gauge:** 10 to 200 gallon - 5" sight gauge (ALG5T)

**Filler Breather:** Bayonet Style - 40 micron (5201)

*Sight Gauge and Filler Breather shipped loose inside reservoir*



### How To Order:

VESCOR "L" Shaped Style "D" Reservoir allows you to design the required reservoir for your individual needs.

*Please use Vescor Part Number when ordering.*

*Fill in all items LEAVE NO BLANKS*

X6 = 6" Base Extension  
 X12 = 12" Base Extension  
 X18 = 18" Base Extension  
 X24 = 24" Base Extension  
 X\*\*\* = Customer Specified Extension

RESERVOIR SIZE	STEEL	SI	DIN
10 to 60	12"	275	324
80 to 200	16"	400	449

Capacity Gallons	Vescor Model Code	Tank Dimensions (inches)					Mounting Centers		Return Connections			Shipping Weight
		A	B	C	E	F	D1	D2	R1	R2	R	
10	VLD	24"	22"	26 <sup>9</sup> / <sub>16</sub> "	6 <sup>1</sup> / <sub>2</sub> "	15 <sup>7</sup> / <sub>16</sub> "	22 <sup>1</sup> / <sub>4</sub> "	18"	3 <sup>1</sup> / <sub>4</sub> "	4 <sup>1</sup> / <sub>2</sub> "	1/2"	151#
20	VLD	36"	27"	26 <sup>9</sup> / <sub>16</sub> "	7 <sup>1</sup> / <sub>2</sub> "	19 <sup>7</sup> / <sub>16</sub> "	34 <sup>1</sup> / <sub>4</sub> "	23"	3 <sup>3</sup> / <sub>4</sub> "	5 <sup>1</sup> / <sub>2</sub> "	1"	238#
30	VLD	36"	30"	28 <sup>9</sup> / <sub>16</sub> "	10 <sup>1</sup> / <sub>2</sub> "	19 <sup>7</sup> / <sub>16</sub> "	34 <sup>1</sup> / <sub>4</sub> "	26"	5 <sup>1</sup> / <sub>4</sub> "	7 <sup>1</sup> / <sub>2</sub> "	1 <sup>1</sup> / <sub>2</sub> "	258#
45	VLD	42"	36"	29 <sup>9</sup> / <sub>16</sub> "	12 <sup>1</sup> / <sub>2</sub> "	23 <sup>7</sup> / <sub>16</sub> "	40 <sup>1</sup> / <sub>4</sub> "	32"	6 <sup>1</sup> / <sub>4</sub> "	9 <sup>1</sup> / <sub>2</sub> "	1 <sup>1</sup> / <sub>2</sub> "	327#
60	VLD	42"	36"	29 <sup>9</sup> / <sub>16</sub> "	16 <sup>1</sup> / <sub>2</sub> "	19 <sup>7</sup> / <sub>16</sub> "	40 <sup>1</sup> / <sub>4</sub> "	32"	8 <sup>1</sup> / <sub>4</sub> "	13 <sup>1</sup> / <sub>2</sub> "	1 <sup>1</sup> / <sub>2</sub> "	351#
80	VLD	48"	42"	30 <sup>9</sup> / <sub>16</sub> "	18 <sup>1</sup> / <sub>2</sub> "	23 <sup>1</sup> / <sub>2</sub> "	46 <sup>1</sup> / <sub>4</sub> "	38"	9 <sup>1</sup> / <sub>4</sub> "	15 <sup>1</sup> / <sub>2</sub> "	1 <sup>1</sup> / <sub>2</sub> "	432#
100	VLD	50"	47"	31 <sup>9</sup> / <sub>16</sub> "	21 <sup>1</sup> / <sub>2</sub> "	25 <sup>1</sup> / <sub>2</sub> "	48 <sup>1</sup> / <sub>4</sub> "	43"	10 <sup>3</sup> / <sub>4</sub> "	18 <sup>1</sup> / <sub>2</sub> "	2"	493#
120	VLD	52"	50"	32 <sup>9</sup> / <sub>16</sub> "	22 <sup>1</sup> / <sub>2</sub> "	27 <sup>1</sup> / <sub>2</sub> "	50 <sup>1</sup> / <sub>4</sub> "	46"	11 <sup>1</sup> / <sub>4</sub> "	19 <sup>1</sup> / <sub>2</sub> "	2"	528#
150	VLD	60"	50"	33 <sup>9</sup> / <sub>16</sub> "	22 <sup>1</sup> / <sub>2</sub> "	27 <sup>1</sup> / <sub>2</sub> "	58 <sup>1</sup> / <sub>4</sub> "	46"	11 <sup>1</sup> / <sub>4</sub> "	19 <sup>1</sup> / <sub>2</sub> "	2"	605#
200	VLD	60"	57"	40 <sup>9</sup> / <sub>16</sub> "	25 <sup>1</sup> / <sub>2</sub> "	31 <sup>1</sup> / <sub>2</sub> "	58 <sup>1</sup> / <sub>4</sub> "	53"	12 <sup>3</sup> / <sub>4</sub> "	22 <sup>1</sup> / <sub>2</sub> "	2"	771#

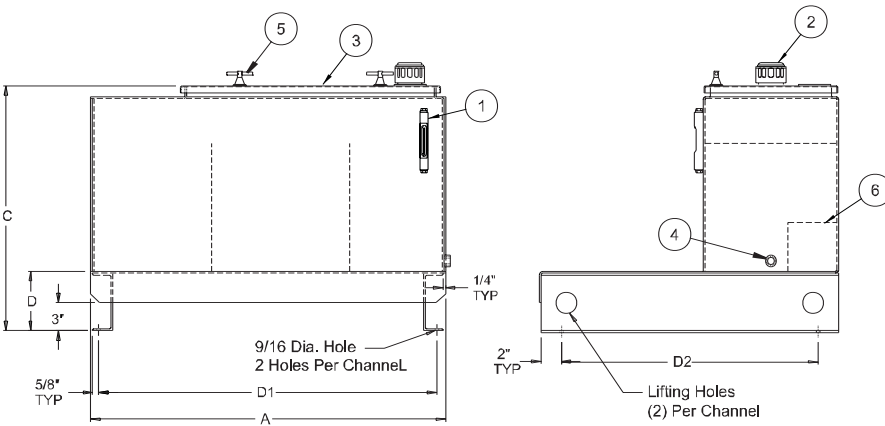
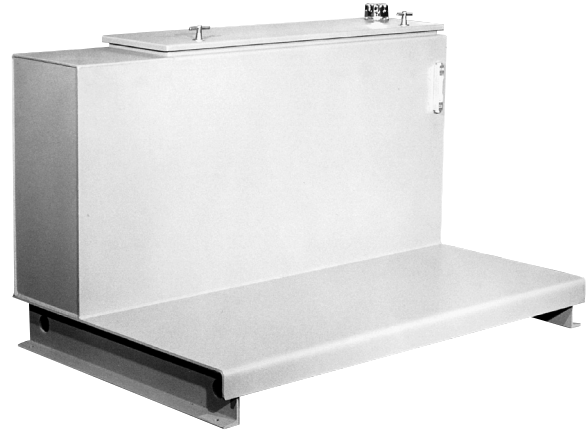
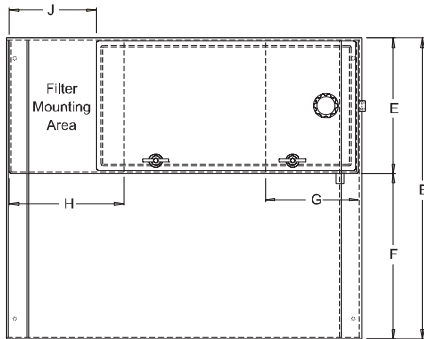
NOTE: WITH VESCORS' POLICY OF CONSTANTLY IMPROVING ITS PRODUCTS, SPECIFICATIONS ARE SUBJECT TO CHANGE WITHOUT NOTICE.



# "L" SHAPED RESERVOIRS

## Style F

Style "F" (Filter Mounting) Reservoirs are similar to the classic "L" Shaped Style "C" Reservoirs with the addition of a welded top section suitable for filter or accessory mounting. Remainder of top is hinged.



### Each "L" Shaped Style F Reservoir Includes:

Welded top section for filter mounting

1. (1) Oil Level & Temp. Gauge
2. (1) Filler Breather
3. (1) Hinged cover with gasket
4. (1) 3/4" NPT Drain
5. (2) T-Handles (3) for 200 gallon and up
6. Baffle(s) with cutout for circulation
7. Exterior of reservoir prime painted
8. Interior of reservoir coated with rust preventive oil.
9. 100 gallon to 600 gallon include (1) door chain (not shown)

### Sight Gauge

80 to 200 gallon - 5" sight gauge (ALG5T)  
300 gallon and up - 10" sight gauge (ALG10T)

### Filler Breather

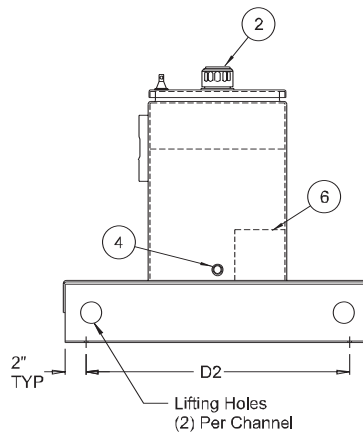
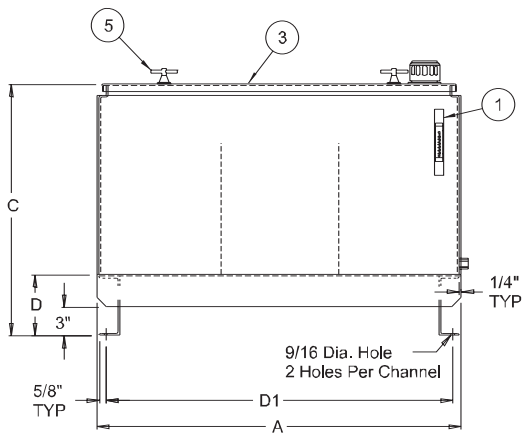
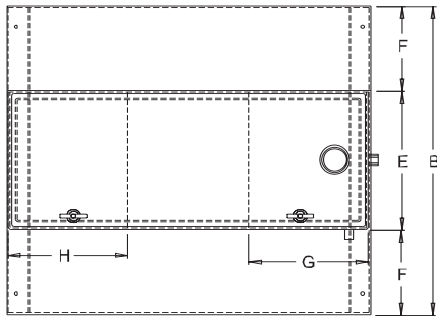
Bayonet Style - 40 micron (5201)

*Sight Gauge and Filler Breather shipped loose inside reservoir*

Capacity Gallons	Vescor Part Number	Tank Dimensions (inches)							Welded Top J	Mounting Centers		Shipping Weight	
		A	B	C	D	E	F	G		H	D1 ±1/8"		D2 ±1/8"
80	<b>25880</b>	60"	38 <sup>9</sup> / <sub>16</sub> "	36 <sup>1</sup> / <sub>16</sub> "	6 <sup>3</sup> / <sub>8</sub> "	13 <sup>3</sup> / <sub>8</sub> "	25"	16"	16"	12"	58 <sup>1</sup> / <sub>4</sub> "	34"	574#
100	<b>258100</b>	60"	42 <sup>9</sup> / <sub>16</sub> "	36 <sup>1</sup> / <sub>16</sub> "	6 <sup>3</sup> / <sub>8</sub> "	16 <sup>3</sup> / <sub>8</sub> "	26"	16"	16"	12"	58 <sup>1</sup> / <sub>4</sub> "	38"	720#
120	<b>258120</b>	72"	42 <sup>9</sup> / <sub>16</sub> "	36 <sup>1</sup> / <sub>16</sub> "	6 <sup>3</sup> / <sub>8</sub> "	16 <sup>3</sup> / <sub>8</sub> "	26"	16"	16"	12"	70 <sup>1</sup> / <sub>4</sub> "	38"	847#
150	<b>258150</b>	72"	50 <sup>9</sup> / <sub>16</sub> "	39 <sup>1</sup> / <sub>16</sub> "	6 <sup>3</sup> / <sub>8</sub> "	18 <sup>3</sup> / <sub>8</sub> "	32"	16"	16"	12"	70 <sup>1</sup> / <sub>4</sub> "	46"	945#
200	<b>258200</b>	84"	51 <sup>9</sup> / <sub>16</sub> "	42 <sup>1</sup> / <sub>16</sub> "	6 <sup>3</sup> / <sub>8</sub> "	18 <sup>3</sup> / <sub>8</sub> "	33"	16"	24"	16"	82 <sup>1</sup> / <sub>4</sub> "	47"	1136#
300	<b>258300</b>	84"	60"	54 <sup>3</sup> / <sub>16</sub> "	6 <sup>1</sup> / <sub>2</sub> "	25 <sup>3</sup> / <sub>8</sub> "	34 <sup>7</sup> / <sub>16</sub> "	16"	24"	16"	82 <sup>1</sup> / <sub>4</sub> "	55 <sup>1</sup> / <sub>2</sub> "	1409#
400	<b>258400</b>	84"	60"	54 <sup>3</sup> / <sub>16</sub> "	6 <sup>1</sup> / <sub>2</sub> "	28 <sup>3</sup> / <sub>8</sub> "	31 <sup>7</sup> / <sub>16</sub> "	16"	24"	16"	82 <sup>1</sup> / <sub>4</sub> "	55 <sup>1</sup> / <sub>2</sub> "	1618#
500	<b>258500</b>	84"	60"	60 <sup>3</sup> / <sub>16</sub> "	6 <sup>1</sup> / <sub>2</sub> "	32 <sup>3</sup> / <sub>8</sub> "	27 <sup>7</sup> / <sub>16</sub> "	18"	24"	18"	82 <sup>1</sup> / <sub>4</sub> "	55 <sup>1</sup> / <sub>2</sub> "	1793#
600	<b>258600</b>	90"	62"	65 <sup>3</sup> / <sub>16</sub> "	6 <sup>1</sup> / <sub>2</sub> "	30 <sup>3</sup> / <sub>8</sub> "	31 <sup>7</sup> / <sub>16</sub> "	22"	30"	20"	88 <sup>1</sup> / <sub>4</sub> "	57 <sup>1</sup> / <sub>2</sub> "	1849#



# “T” SHAPED RESERVOIRS



### Each “T” Shaped Reservoir Includes:

1. (1) Oil Level & Temp. Gauge
2. (1) Filler Breather
3. (1) Hinged Cover with gasket
4. (1) 3/4” NPT Drain
5. (2) T-Handles (3) for 300 gallon and up
6. Baffle(s) with cutout for circulation
7. Exterior of reservoir prime painted
8. Interior of reservoir coated with rust preventive oil
9. 100 gallon to 400 gallon include (1) door chain (not shown)

### Sight Gauge

10 to 200 gallon - 5” sight gauge (ALG5T)  
 300 Gallon and up - 10” sight gauge (ALG10T)

### Filler Breather

Bayonet Style - 40 micron (5201)

*Sight Gauge and Filler Breather shipped loose inside reservoir*

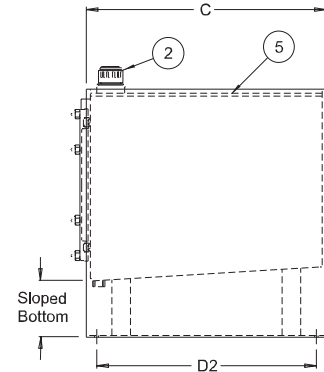
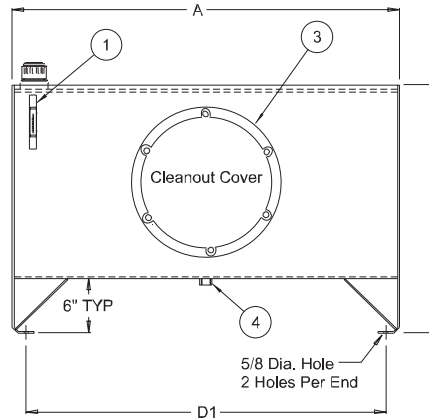
Capacity Gallons	Vescor Part Number	Tank Dimensions (inches)								Mounting Centers		Shipping Weight
		A	B	C	D	E	F	G	H	D1 ±1/8”	D2 ±1/8”	
10	<b>VLT-10</b>	24”	35 1/4”	23 7/8”	6 3/16”	11 1/8”	12 1/16”	11”	N/A	22 1/4”	30 7/8”	178#
20	<b>VLT-20</b>	30”	40 5/8”	25 7/8”	6 3/16”	13 1/2”	13 9/16”	12”	N/A	28 1/4”	36 1/4”	220#
30	<b>VLT-30</b>	36”	46 5/8”	29 7/8”	6 3/16”	13 3/4”	16 7/16”	12”	N/A	34 1/4”	42 1/4”	291#
45	<b>VLT-45</b>	54”	48 5/8”	29 7/8”	6 3/16”	13 3/4”	17 7/16”	12”	12”	52 1/4”	44 1/4”	408#
60	<b>VLT-60</b>	48”	58”	35 7/8”	6 3/16”	16 3/4”	20 5/8”	16”	N/A	46 1/4”	53 5/8”	455#
80	<b>VLT-80</b>	66”	61 1/8”	36 1/16”	6 3/8”	16 3/8”	22 3/8”	16”	16”	64 1/4”	56 3/8”	887#
100	<b>VLT-100</b>	60”	66 1/8”	39 1/16”	6 3/8”	19 3/8”	23 3/8”	16”	N/A	58 1/4”	61 3/8”	944#
120	<b>VLT-120</b>	72”	68 1/8”	39 1/16”	6 3/8”	19 3/8”	24 3/8”	16”	16”	70 1/4”	63 3/8”	1130#
150	<b>VLT-150</b>	72”	76 1/8”	39 1/16”	6 3/8”	25 3/8”	25 3/8”	16”	N/A	70 1/4”	71 3/8”	1228#
200	<b>VLT-200</b>	84”	78 1/8”	42 1/16”	6 3/8”	25 3/8”	26 3/8”	16”	16”	82 1/4”	73 3/8”	1470#
300	<b>VLT-300</b>	84”	77 3/4”	54 3/16”	6 1/2”	25 3/8”	26 3/16”	16”	16”	82 1/4”	73 1/4”	1839#
400	<b>VLT-400</b>	84”	91”	54 3/16”	6 1/2”	28 3/8”	31 3/8”	16”	16”	82 1/4”	86 1/2”	2056#

NOTE: WITH VESCORS' POLICY OF CONSTANTLY IMPROVING ITS PRODUCTS, SPECIFICATIONS ARE SUBJECT TO CHANGE WITHOUT NOTICE.



# D.I.N. TYPE RESERVOIRS

## Style 1



### Each D.I.N. Type Reservoir Style 1 includes:

1. (1) Oil Level & Temp. Gauge
2. (1) Riser with Filler Breather
3. (1) DIN Type Endcover, Gasket and Mounting Hardware
4. (1) SAE Drain with plug
5. Recessed Top (Drip Tray)
6. Exterior of reservoir prime painted
7. Interior of reservoir coated with rust preventive oil

**Filler Breather:** Bayonet Style - 40 micron (5201)

**Sight Gauges:** 5" (ALG5T), 10" (FMALG10T)

*Sight Gauge and Filler Breather shipped loose inside reservoir*

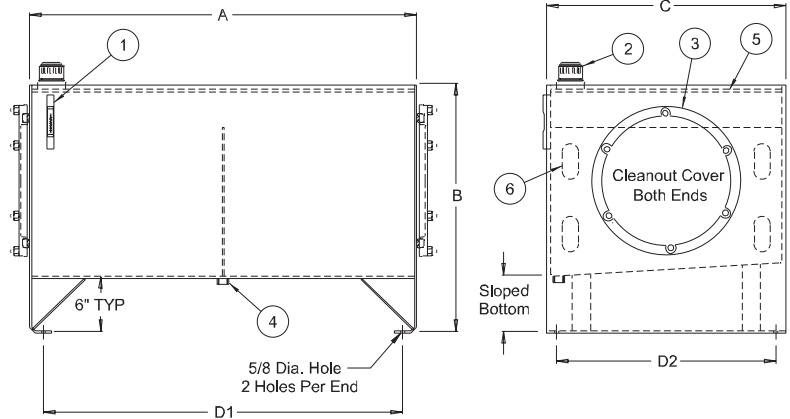
Capacity		Vescor Part Number	Sight Gauge (Mtg. Ctrs.)	Tank Dimensions (inches)					Cleanout Cover	Shipping Weight
Gallons	Liters			A Length	B Height	C Width	D1 Mtg. Ctrs.	D2 Mtg. Ctrs.		
<b>499XXX SERIES ARE HEAVY DUTY RESERVOIRS</b>										
20	76	<b>49920</b>	5"	24 <sup>3</sup> / <sub>8</sub> "	21"	18"	21 <sup>3</sup> / <sub>4</sub> "	15 <sup>1</sup> / <sub>2</sub> "	324	128#
30	114	<b>49930</b>	5"	30 <sup>3</sup> / <sub>8</sub> "	21 <sup>7</sup> / <sub>16</sub> "	20 <sup>3</sup> / <sub>4</sub> "	27"	18 <sup>1</sup> / <sub>4</sub> "	324	170#
40	151	<b>49940</b>	5"	36 <sup>3</sup> / <sub>8</sub> "	22 <sup>3</sup> / <sub>4</sub> "	20 <sup>3</sup> / <sub>4</sub> "	33"	18 <sup>1</sup> / <sub>4</sub> "	324	231#
60	227	<b>49960</b>	5"	42 <sup>3</sup> / <sub>8</sub> "	24 <sup>1</sup> / <sub>4</sub> "	24"	39"	21 <sup>1</sup> / <sub>2</sub> "	324	301#
80	303	<b>49980</b>	5"	42 <sup>3</sup> / <sub>8</sub> "	25 <sup>3</sup> / <sub>8</sub> "	30"	39"	27 <sup>1</sup> / <sub>2</sub> "	324	371#
100	379	<b>499100</b>	10"	42 <sup>3</sup> / <sub>8</sub> "	29 <sup>1</sup> / <sub>4</sub> "	30"	39"	27 <sup>1</sup> / <sub>2</sub> "	449	400#
120	454	<b>499120</b>	10"	48 <sup>1</sup> / <sub>2</sub> "	30 <sup>1</sup> / <sub>4</sub> "	30"	45"	27 <sup>1</sup> / <sub>2</sub> "	449	554#
150	568	<b>499150</b>	10"	60 <sup>1</sup> / <sub>2</sub> "	30 <sup>1</sup> / <sub>4</sub> "	30"	57"	27 <sup>1</sup> / <sub>2</sub> "	449	665#
200	757	<b>499200</b>	10"	72 <sup>3</sup> / <sub>4</sub> "	29 <sup>13</sup> / <sub>16</sub> "	36"	69"	33 <sup>1</sup> / <sub>2</sub> "	449	973#
300	1136	<b>499300</b>	10"	72 <sup>3</sup> / <sub>4</sub> "	38 <sup>11</sup> / <sub>16</sub> "	36"	69"	33 <sup>1</sup> / <sub>2</sub> "	449	1142#
400	1514	<b>499400</b>	10"	84 <sup>3</sup> / <sub>4</sub> "	43 <sup>3</sup> / <sub>16</sub> "	36"	80 <sup>3</sup> / <sub>4</sub> "	33 <sup>1</sup> / <sub>2</sub> "	449	1495#
500	1892	<b>499500</b>	10"	84 <sup>3</sup> / <sub>4</sub> "	44 <sup>3</sup> / <sub>4</sub> "	42"	80 <sup>3</sup> / <sub>4</sub> "	39 <sup>1</sup> / <sub>2</sub> "	449	1701#
<b>422XXX SERIES ARE LIGHT DUTY RESERVOIRS</b>										
20	76	<b>42220</b>	5"	30"	20 <sup>1</sup> / <sub>2</sub> "	18"	27"	15 <sup>1</sup> / <sub>2</sub> "	324	120#
35	132	<b>42235</b>	5"	35"	21 <sup>1</sup> / <sub>4</sub> "	24"	32"	21 <sup>1</sup> / <sub>2</sub> "	324	168#
60	227	<b>42260</b>	5"	42"	22 <sup>3</sup> / <sub>4</sub> "	26"	39"	23 <sup>1</sup> / <sub>2</sub> "	324	212#
80	303	<b>42280</b>	5"	48"	24 <sup>3</sup> / <sub>4</sub> "	27"	45"	24 <sup>1</sup> / <sub>2</sub> "	324	252#
100	379	<b>422100</b>	10"	57"	24 <sup>3</sup> / <sub>4</sub> "	30"	54"	27 <sup>1</sup> / <sub>2</sub> "	449	314#
120	454	<b>422120</b>	10"	60"	25 <sup>3</sup> / <sub>4</sub> "	30"	57"	27 <sup>1</sup> / <sub>2</sub> "	449	450#
150	568	<b>422150</b>	10"	60"	29 <sup>3</sup> / <sub>4</sub> "	30"	57"	27 <sup>1</sup> / <sub>2</sub> "	449	481#
200	757	<b>422200</b>	10"	72"	28 <sup>1</sup> / <sub>2</sub> "	36"	69"	33 <sup>1</sup> / <sub>2</sub> "	449	696#
300	1136	<b>422300</b>	10"	72"	38 <sup>1</sup> / <sub>2</sub> "	36"	69"	33 <sup>1</sup> / <sub>2</sub> "	449	903#
400	1514	<b>422400</b>	10"	84 <sup>3</sup> / <sub>4</sub> "	43 <sup>3</sup> / <sub>16</sub> "	36"	81 <sup>3</sup> / <sub>4</sub> "	33 <sup>1</sup> / <sub>2</sub> "	449	1248#
500	1892	<b>422500</b>	10"	84 <sup>3</sup> / <sub>4</sub> "	44 <sup>3</sup> / <sub>4</sub> "	42"	81 <sup>3</sup> / <sub>4</sub> "	39 <sup>1</sup> / <sub>2</sub> "	449	1440#





# D.I.N. TYPE RESERVOIRS

## Style 2



### Each D.I.N. Type Reservoir Style 2 includes:

1. (1) Oil Level & Temp. Gauge
2. (1) Riser with Filler Breather
3. (2) DIN Type Endcovers, Gaskets and Mounting Hardware
4. (1) SAE Drain with plug
5. Recessed Top (Drip Tray)
6. (1) Baffle with cutouts for circulation
7. Exterior of reservoir prime painted
8. Interior of reservoir coated with rust preventive oil

**Filler Breather:** Bayonet Style - 40 micron (5201)

**Sight Gauges:** 5" (ALG5T), 10" (FMALG10T)

*Sight Gauge and Filler Breather shipped loose inside reservoir*

Capacity		Vescor Part Number	Sight Gauge (Mtg. Ctrs.)	Tank Dimensions (inches)					Cleanout Cover	Shipping Weight
Gallons	Liters			A Length	B Height	C Width	D1 Mtg. Ctrs.	D2 Mtg. Ctrs.		
<b>599XXX SERIES ARE HEAVY DUTY RESERVOIRS</b>										
20	76	<b>59920</b>	5"	24 <sup>3</sup> / <sub>8</sub> "	21"	18"	21 <sup>3</sup> / <sub>4</sub> "	15 <sup>1</sup> / <sub>2</sub> "	324	141#
30	114	<b>59930</b>	5"	30 <sup>3</sup> / <sub>8</sub> "	21 <sup>7</sup> / <sub>16</sub> "	20 <sup>3</sup> / <sub>4</sub> "	27"	18 <sup>1</sup> / <sub>4</sub> "	324	185#
40	151	<b>59940</b>	5"	36 <sup>3</sup> / <sub>8</sub> "	22 <sup>3</sup> / <sub>4</sub> "	20 <sup>3</sup> / <sub>4</sub> "	33"	18 <sup>1</sup> / <sub>4</sub> "	324	248#
60	227	<b>59960</b>	5"	42 <sup>3</sup> / <sub>8</sub> "	24 <sup>1</sup> / <sub>4</sub> "	24"	39"	21 <sup>1</sup> / <sub>2</sub> "	324	321#
80	303	<b>59980</b>	5"	42 <sup>3</sup> / <sub>8</sub> "	25 <sup>3</sup> / <sub>8</sub> "	30"	39"	27 <sup>1</sup> / <sub>2</sub> "	324	398#
100	379	<b>599100</b>	10"	42 <sup>3</sup> / <sub>8</sub> "	29 <sup>1</sup> / <sub>4</sub> "	30"	39"	27 <sup>1</sup> / <sub>2</sub> "	449	430#
120	454	<b>599120</b>	10"	48 <sup>1</sup> / <sub>2</sub> "	30 <sup>1</sup> / <sub>4</sub> "	30"	45"	27 <sup>1</sup> / <sub>2</sub> "	449	584#
150	568	<b>599150</b>	10"	60 <sup>1</sup> / <sub>2</sub> "	30 <sup>1</sup> / <sub>4</sub> "	30"	57"	27 <sup>1</sup> / <sub>2</sub> "	449	695#
200	757	<b>599200</b>	10"	72 <sup>3</sup> / <sub>4</sub> "	29 <sup>13</sup> / <sub>16</sub> "	36"	69"	33 <sup>1</sup> / <sub>2</sub> "	449	1029#
300	1136	<b>599300</b>	10"	72 <sup>3</sup> / <sub>4</sub> "	38 <sup>11</sup> / <sub>16</sub> "	36"	69"	33 <sup>1</sup> / <sub>2</sub> "	449	1213#
400	1514	<b>599400</b>	10"	84 <sup>3</sup> / <sub>4</sub> "	43 <sup>3</sup> / <sub>16</sub> "	36"	80 <sup>3</sup> / <sub>4</sub> "	33 <sup>1</sup> / <sub>2</sub> "	449	1575#
500	1892	<b>599500</b>	10"	84 <sup>3</sup> / <sub>4</sub> "	44 <sup>3</sup> / <sub>4</sub> "	42"	80 <sup>3</sup> / <sub>4</sub> "	39 <sup>1</sup> / <sub>2</sub> "	449	1798#
<b>522XXX SERIES ARE LIGHT DUTY RESERVOIRS</b>										
20	76	<b>52220</b>	5"	30"	20 <sup>1</sup> / <sub>2</sub> "	18"	27"	15 <sup>1</sup> / <sub>2</sub> "	324	136#
35	132	<b>52235</b>	5"	35"	21 <sup>1</sup> / <sub>4</sub> "	24"	32"	21 <sup>1</sup> / <sub>2</sub> "	324	187#
60	227	<b>52260</b>	5"	42"	22 <sup>3</sup> / <sub>4</sub> "	26"	39"	23 <sup>1</sup> / <sub>2</sub> "	324	235#
80	303	<b>52280</b>	5"	48"	24 <sup>3</sup> / <sub>4</sub> "	27"	45"	24 <sup>1</sup> / <sub>2</sub> "	324	277#
100	379	<b>522100</b>	10"	57"	24 <sup>3</sup> / <sub>4</sub> "	30"	54"	27 <sup>1</sup> / <sub>2</sub> "	449	340#
120	454	<b>522120</b>	10"	60"	25 <sup>3</sup> / <sub>4</sub> "	30"	57"	27 <sup>1</sup> / <sub>2</sub> "	449	480#
150	568	<b>522150</b>	10"	60"	29 <sup>3</sup> / <sub>4</sub> "	30"	57"	27 <sup>1</sup> / <sub>2</sub> "	449	526#
200	757	<b>522200</b>	10"	72"	28 <sup>1</sup> / <sub>2</sub> "	36"	69"	33 <sup>1</sup> / <sub>2</sub> "	449	748#
300	1136	<b>522300</b>	10"	72"	38 <sup>1</sup> / <sub>2</sub> "	36"	69"	33 <sup>1</sup> / <sub>2</sub> "	449	974#
400	1514	<b>522400</b>	10"	84 <sup>3</sup> / <sub>4</sub> "	43 <sup>3</sup> / <sub>16</sub> "	36"	81 <sup>3</sup> / <sub>4</sub> "	33 <sup>1</sup> / <sub>2</sub> "	449	1338#
500	1892	<b>522500</b>	10"	84 <sup>3</sup> / <sub>4</sub> "	44 <sup>3</sup> / <sub>4</sub> "	42"	81 <sup>3</sup> / <sub>4</sub> "	39 <sup>1</sup> / <sub>2</sub> "	449	1536#

NOTE: WITH VESCORS' POLICY OF CONSTANTLY IMPROVING ITS PRODUCTS, SPECIFICATIONS ARE SUBJECT TO CHANGE WITHOUT NOTICE.



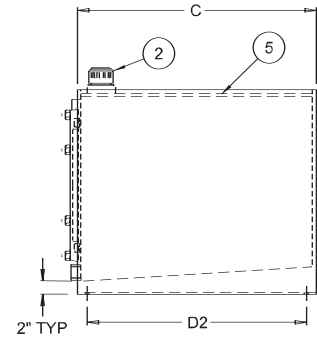
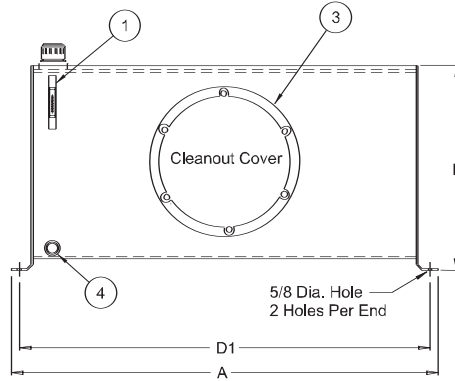
# D.I.N. TYPE RESERVOIRS

## Style 3



### Each D.I.N. Type Reservoir Style 3 Includes:

1. (1) Oil Level & Temp. Gauge
2. (1) Riser with Filler Breather
3. (1) DIN Type Endcover, Gasket and Mounting Hardware
4. (1) SAE Drain with plug
5. Recessed Top (Drip Tray)
6. Exterior of reservoir prime painted
7. Interior of reservoir coated with rust preventive oil



**Filler Breather:** Bayonet Style - 40 micron (5201)

**Sight Gauges:** 5" (ALG5T), 10" (FMALG10T)

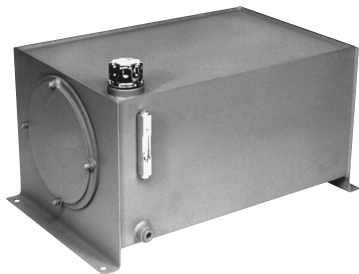
*Sight Gauge and Filler Breather shipped loose inside reservoir*

Capacity Gallons	Liters	Vescor Part Number	Sight Gauge (Mtg. Ctrs.)	Tank Dimensions (inches)				D2 Mtg. Ctrs.	Cleanout Cover	Ship Weight
				A Length	B Height	C Width	D1 Mtg. Ctrs.			
<b>699XXX SERIES ARE HEAVY DUTY RESERVOIRS</b>										
20	76	<b>69920</b>	5"	28"	17"	18"	26 <sup>1</sup> / <sub>2</sub> "	15 <sup>1</sup> / <sub>2</sub> "	324	118#
30	114	<b>69930</b>	5"	34"	17 <sup>7</sup> / <sub>16</sub> "	20 <sup>3</sup> / <sub>4</sub> "	32 <sup>1</sup> / <sub>2</sub> "	18 <sup>1</sup> / <sub>4</sub> "	324	158#
40	151	<b>69940</b>	5"	40"	18 <sup>3</sup> / <sub>4</sub> "	20 <sup>3</sup> / <sub>4</sub> "	38 <sup>1</sup> / <sub>2</sub> "	18 <sup>1</sup> / <sub>4</sub> "	324	190#
60	227	<b>69960</b>	5"	46"	20 <sup>1</sup> / <sub>4</sub> "	24"	44 <sup>1</sup> / <sub>2</sub> "	21 <sup>1</sup> / <sub>2</sub> "	324	219#
80	303	<b>69980</b>	5"	46"	21 <sup>3</sup> / <sub>8</sub> "	30"	44 <sup>1</sup> / <sub>2</sub> "	27 <sup>1</sup> / <sub>2</sub> "	324	287#
100	379	<b>699100</b>	10"	46"	25 <sup>1</sup> / <sub>4</sub> "	30"	44 <sup>1</sup> / <sub>2</sub> "	27 <sup>1</sup> / <sub>2</sub> "	449	348#
120	454	<b>699120</b>	10"	52"	26 <sup>1</sup> / <sub>4</sub> "	30"	50 <sup>1</sup> / <sub>2</sub> "	27 <sup>1</sup> / <sub>2</sub> "	449	530#
150	568	<b>699150</b>	10"	64"	26 <sup>1</sup> / <sub>4</sub> "	30"	62 <sup>1</sup> / <sub>2</sub> "	27 <sup>1</sup> / <sub>2</sub> "	449	633#
200	757	<b>699200</b>	10"	77"	25 <sup>13</sup> / <sub>16</sub> "	36"	75 <sup>1</sup> / <sub>2</sub> "	33 <sup>1</sup> / <sub>2</sub> "	449	930#
<b>622XXX SERIES ARE LIGHT DUTY RESERVOIRS</b>										
20	76	<b>62220</b>	5"	33 <sup>5</sup> / <sub>8</sub> "	16"	18"	32 <sup>1</sup> / <sub>8</sub> "	15 <sup>1</sup> / <sub>2</sub> "	324	91#
35	132	<b>62235</b>	5"	38 <sup>5</sup> / <sub>8</sub> "	16 <sup>3</sup> / <sub>4</sub> "	24"	37 <sup>1</sup> / <sub>8</sub> "	21 <sup>1</sup> / <sub>2</sub> "	324	160#
60	227	<b>62260</b>	5"	45 <sup>3</sup> / <sub>4</sub> "	18 <sup>1</sup> / <sub>4</sub> "	26"	44 <sup>1</sup> / <sub>4</sub> "	23 <sup>1</sup> / <sub>2</sub> "	324	208#
80	303	<b>62280</b>	5"	51 <sup>5</sup> / <sub>8</sub> "	20 <sup>1</sup> / <sub>4</sub> "	27"	50 <sup>1</sup> / <sub>8</sub> "	24 <sup>1</sup> / <sub>2</sub> "	324	254#
100	379	<b>622100</b>	10"	60 <sup>5</sup> / <sub>8</sub> "	20 <sup>1</sup> / <sub>4</sub> "	30"	59 <sup>1</sup> / <sub>4</sub> "	27 <sup>1</sup> / <sub>2</sub> "	324	261#
120	454	<b>622120</b>	10"	63 <sup>1</sup> / <sub>2</sub> "	21 <sup>1</sup> / <sub>4</sub> "	30"	62 <sup>1</sup> / <sub>8</sub> "	27 <sup>1</sup> / <sub>2</sub> "	324	416#
150	568	<b>622150</b>	10"	63 <sup>1</sup> / <sub>2</sub> "	25 <sup>1</sup> / <sub>4</sub> "	30"	62 <sup>1</sup> / <sub>8</sub> "	27 <sup>1</sup> / <sub>2</sub> "	449	554#
200	757	<b>622200</b>	10"	75 <sup>1</sup> / <sub>2</sub> "	24"	36"	74"	33 <sup>1</sup> / <sub>2</sub> "	449	850#



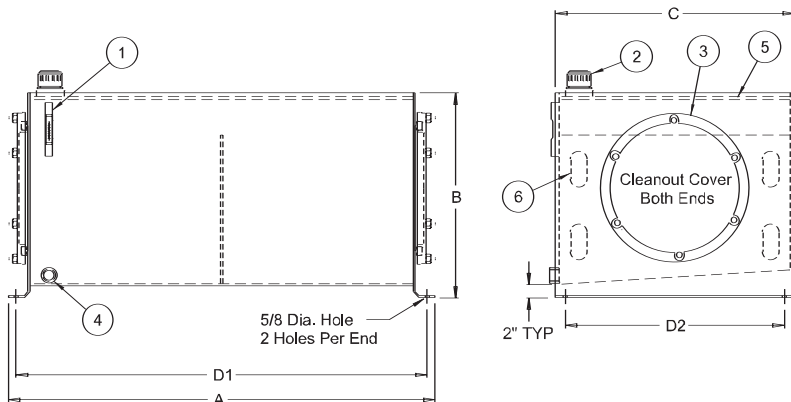
# D.I.N. TYPE RESERVOIRS

## Style 4



**Each D.I.N. Type Reservoir Style 4 includes:**

1. (1) Oil Level and Temp. Gauge
2. (1) Riser with Filler Breather
3. (2) DIN Type Endcovers, Gaskets and Mounting Hardware
4. (1) SAE Drain with plug
5. Recessed Top (Drip Tray)
6. (1) Baffle with cutouts for circulation
7. Exterior of reservoir prime painted
8. Interior of reservoir coated with rust preventive oil



**Filler Breather:** Bayonet Style - 40 micron (5201)

**Sight Gauges:** 5" (ALG5T), 10" (FMALG10T)

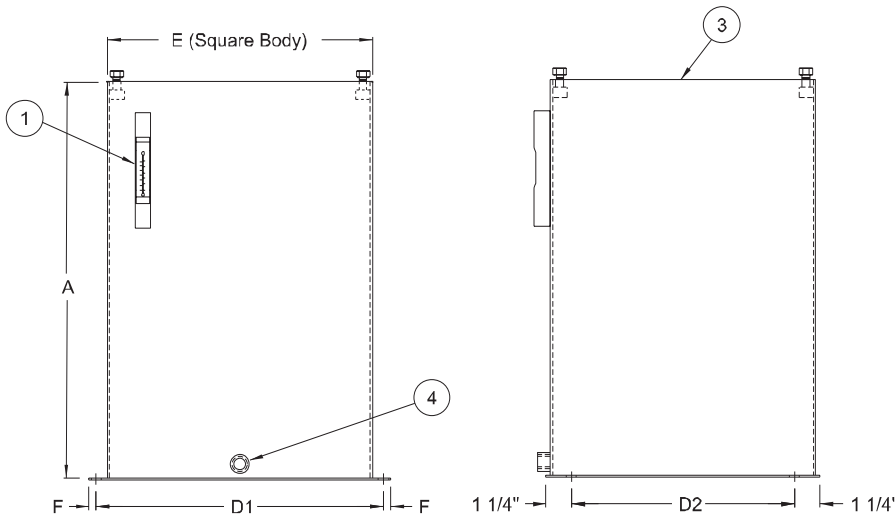
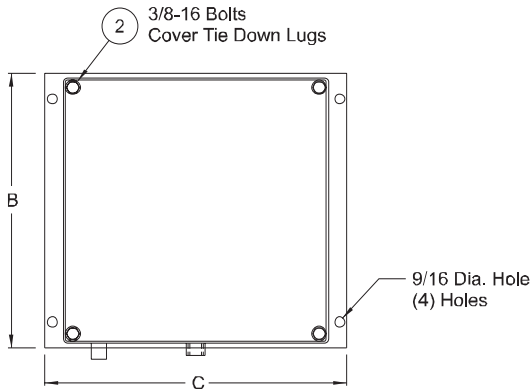
*Sight Gauge and Filler Breather shipped loose inside reservoir*

Capacity		Vescor Part Number	Sight Gauge (Mtg. Ctrs.)	Tank Dimensions (inches)					Cleanout Cover	Shipping Weight
Gallons	Liters			A Length	B Height	C Width	D1 Mtg. Ctrs.	D2 Mtg. Ctrs.		
<b>799XXX SERIES ARE HEAVY DUTY RESERVOIRS</b>										
20	76	<b>79920</b>	5"	28"	17"	18"	26 1/2"	15 1/2"	324	125#
30	114	<b>79930</b>	5"	34"	17 7/16"	20 3/4"	32 1/2"	18 1/4"	324	166#
40	151	<b>79940</b>	5"	40"	18 3/4"	20 3/4"	38 1/2"	18 1/4"	324	207#
60	227	<b>79960</b>	5"	46"	20 1/4"	24"	44 1/2"	21 1/2"	324	240#
80	303	<b>79980</b>	5"	46"	21 3/8"	30"	44 1/2"	27 1/2"	324	314#
100	379	<b>799100</b>	10"	46"	25 1/4"	30"	44 1/2"	27 1/2"	449	376#
120	454	<b>799120</b>	10"	52"	26 1/4"	30"	50 1/2"	27 1/2"	449	570#
150	568	<b>799150</b>	10"	64"	26 1/4"	30"	62 1/2"	27 1/2"	449	673#
200	757	<b>799200</b>	10"	77"	25 13/16"	36"	75 1/2"	33 1/2"	449	987#
<b>722XXX SERIES ARE LIGHT DUTY RESERVOIRS</b>										
20	76	<b>72220</b>	5"	33 5/8"	16"	18"	32 1/8"	15 1/2"	324	97#
35	132	<b>72235</b>	5"	38 5/8"	16 3/4"	24"	37 1/8"	21 1/2"	324	169#
60	227	<b>72260</b>	5"	45 3/4"	18 1/4"	26"	44 1/4"	23 1/2"	324	219#
80	303	<b>72280</b>	5"	51 5/8"	20 1/4"	27"	50 1/8"	24 1/2"	324	269#
100	379	<b>722100</b>	10"	60 5/8"	20 1/4"	30"	59 1/4"	27 1/2"	324	280#
120	454	<b>722120</b>	10"	63 1/2"	21 1/4"	30"	62 1/8"	27 1/2"	324	437#
150	568	<b>722150</b>	10"	63 1/2"	25 1/4"	30"	62 1/8"	27 1/2"	449	583#
200	757	<b>722200</b>	10"	75 1/2"	24"	36"	74"	33 1/2"	449	907#



# NON-J.I.C. RESERVOIRS

## Vertical Style



### Each Vertical Non-J.I.C.

#### Reservoir includes:

1. (1) Oil Level & Temp. Gauge
2. (4) Cover Mounting Bolts
3. Channel gasket for cover plate seal
4. (1) 1/2" NPT Drain
5. Steel construction with customer choice of top
6. Exterior of reservoir prime painted
7. Interior of reservoir coated with rust preventive oil

#### Sight Gauge

5 to 30 gallon - 5" sight gauge (ALG5T)

**NOTE: Cover Plate ordered as separate item (see page 20)**

*Sight Gauge shipped loose inside reservoir,  
Filler Breather included with cover plate*

Capacity Gallons	Vescor Part Number	Tank Dimensions (inches)					E	F	Shipping Weight
		A	B	C	Mounting Centers D1 ±1/8" D2 ±1/8"				
5	215145	10"	12 1/2"	14 1/2"	13 1/2"	10"	12"	1/2"	30#
10	215146	19 11/16"	12 1/2"	14 1/2"	13 1/2"	10"	12"	1/2"	45#
10	215147	11 3/4"	16 1/2"	19"	17 1/2"	14"	16"	3/4"	50#
20	215148	23 11/16"	16 1/2"	19"	17 1/2"	14"	16"	3/4"	66#
30	215149	35 11/16"	16 1/2"	19"	17 1/2"	14"	16"	3/4"	86#

\*Weights do not include covers



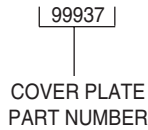
# COVER PLATES

## ORDERING INFORMATION

VESCOR Vertical Non-JIC Reservoirs allow you to choose the style cover plate for your individual needs.

*Reservoir and Cover Plate must be ordered as separate items. Please use Part Number when ordering.*

NOTE: Filler Breathers are included with cover plates only

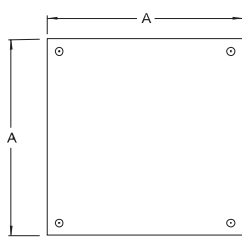


Example:  
Cover Plate for 10 Gallon Non-JIC Reservoir  
(215147) with 56C/145TC Adapter Cutout (Style 1)

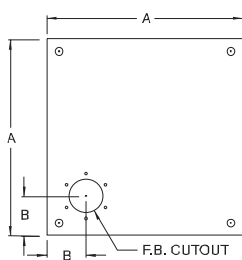
Reservoir Part Number	Standard Dimensions for Vertical Tops				
	A (SQ)	B	C	D	E (Adapter Cutout)
<b>215145</b>	12 <sup>1</sup> / <sub>2</sub> "	2 <sup>1</sup> / <sub>2</sub> "	6 <sup>1</sup> / <sub>4</sub> "	5"	Cutout for 56C/145TC Adapter (Style 1, 1A, 1B)
<b>215146</b>	12 <sup>1</sup> / <sub>2</sub> "	2 <sup>1</sup> / <sub>2</sub> "	6 <sup>1</sup> / <sub>4</sub> "	5"	Cutout for 182TC/256TC Adapter (Style 7)
<b>215147</b>	16 <sup>1</sup> / <sub>2</sub> "	2 <sup>1</sup> / <sub>2</sub> "	8 <sup>1</sup> / <sub>4</sub> "	5 <sup>1</sup> / <sub>2</sub> "	Cutout for 56C/145TC Adapter (Style 1, 1A, 1B)
<b>215148</b>	16 <sup>1</sup> / <sub>2</sub> "	2 <sup>1</sup> / <sub>2</sub> "	8 <sup>1</sup> / <sub>4</sub> "	5 <sup>1</sup> / <sub>2</sub> "	Cutout for 182TC/256TC Adapter (Style 7)
<b>215149</b>	16 <sup>1</sup> / <sub>2</sub> "	2 <sup>1</sup> / <sub>2</sub> "	8 <sup>1</sup> / <sub>4</sub> "	6 <sup>1</sup> / <sub>4</sub> "	Cutout for 182TC/256TC Adapter (Style 6)

\*See page 131 to 136 for adapter styles

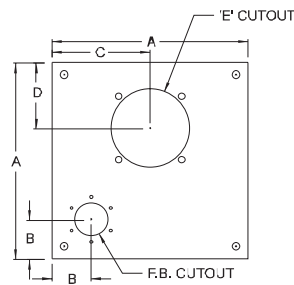
### Series 1 Cover Plates (215145, 215146)



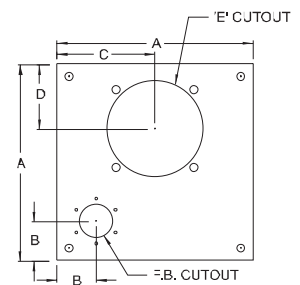
Blank Cover  
Part Number 99920



Cover with  
Filler Breather Cutout  
Part Number 99923

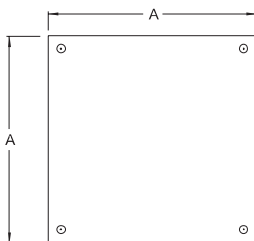


Cover with  
Filler Breather Cutout and  
56C/145TC Adapter Cutout  
(Adapter Style 1, 1A, 1B)  
Part Number 99926

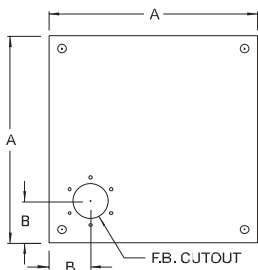


Cover with  
Filler Breather Cutout and  
182TC/256TC Adapter Cutout  
(Adapter Style 7)  
Part Number 99929

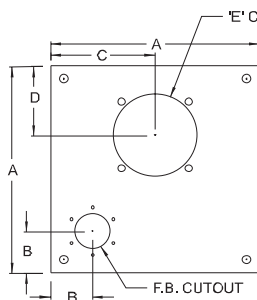
### Series 2 Cover Plates (215147, 215148, 215149)



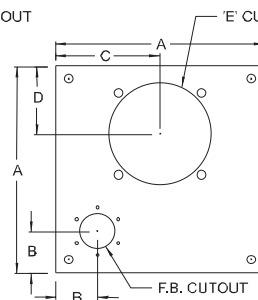
Blank Cover  
Part Number 99931



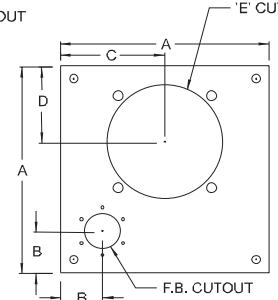
Cover with  
Filler Breather Cutout  
Part Number 99934



Cover with  
Filler Breather Cutout and  
56C/145TC Adapter Cutout  
(Adapter Style 1, 1A, 1B)  
Part Number 99937



Cover with  
Filler Breather Cutout and  
182TC/256TC Adapter Cutout  
(Adapter Style 7)  
Part Number 99940



Cover with  
Filler Breather Cutout and  
182TC/256TC Adapter Cutout  
(Adapter Style 6)  
Part Number 99943

Cover Plate Part Number	Description	Series
99920	Blank Cover	1
99923	Cover with Filler Breather Cutout	1
99926	Cover with 56C/145TC Adapter Cutout	1
99929	Cover with 182C/256TC Adapter Cutout	1

Cover Plate Part Number	Description	Series
99931	Blank Cover	2
99934	Cover with Filler Breather Cutout	2
99937	Cover with 56C/145TC Adapter Cutout	2
99940	Cover with 182C/256TC Adapter Cutout	2
99943	Cover with 182C/256TC Vert. Adapter Cutout	2

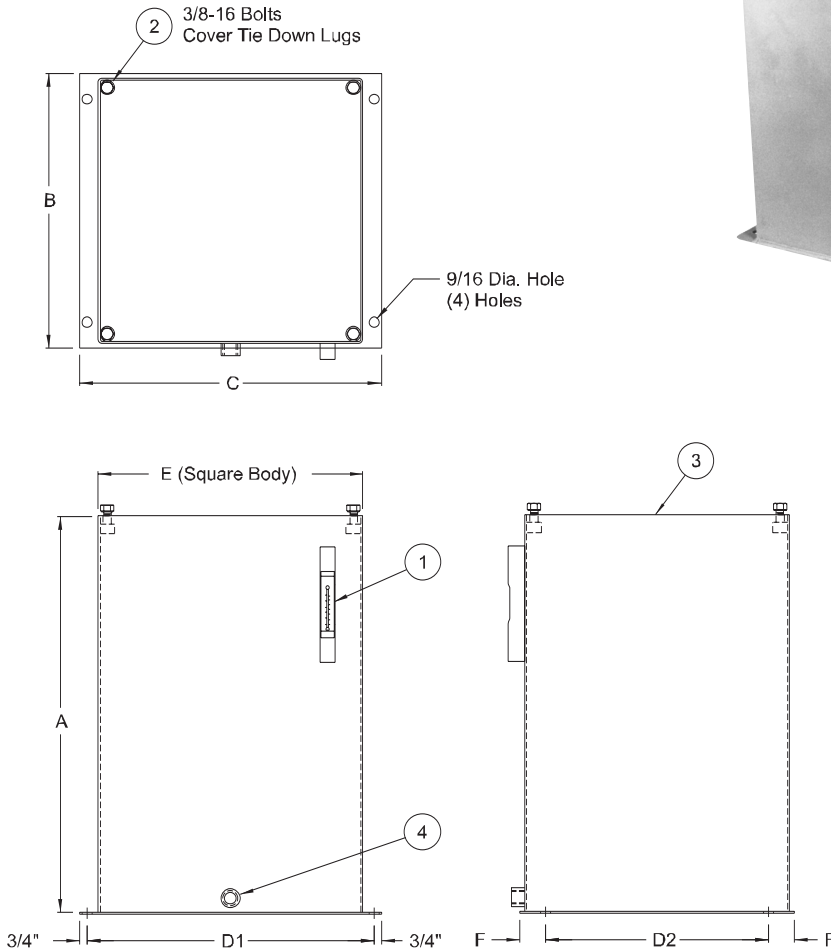
Note: All cover plates include Filler Breather bayonet style 40 micron (5201)

NOTE: WITH VESCORS' POLICY OF CONSTANTLY IMPROVING ITS PRODUCTS, SPECIFICATIONS ARE SUBJECT TO CHANGE WITHOUT NOTICE.



# NON-J.I.C. RESERVOIRS

## Vertical Style



### Each Vertical Non-J.I.C. Type Reservoir Includes:

1. (1) Oil Level & Temp. Gauge
2. (4) Cover Mounting Bolts
3. Channel gasket for cover plate seal
4. (1) 1/2" NPT Drain
5. Steel construction with customer choice of top
6. Outside of reservoir prime painted
7. Interior of reservoir coated with rust preventive oil

### Sight Gauge

10 to 40 gallon - 5" sight gauge (ALG5T)

**NOTE :** Cover Plate ordered as separate item (see page 22)

*Sight Gauge shipped loose inside reservoir, filler breather included with cover plate*

Capacity Gallons	Vescor Part Number	Tank Dimensions (Inches)							Shipping Weight
		A	B	C	Mounting Centers D1 ±1/8" D2±1/8"		E	F	
10	215173	15"	16 1/2"	19"	17 1/2"	14"	16"	1 1/4"	65#
20	215174	18"	18"	20 1/2"	19"	15"	17 1/2"	1 1/2"	80#
30	215175	26"	18"	20 1/2"	19"	15"	17 1/2"	1 1/2"	100#
40	215176	34"	18"	20 1/2"	19"	15"	17 1/2"	1 1/2"	120#

\*Weights do not include covers



# COVER PLATES

## ORDERING INFORMATION

VESCOR Vertical Non-JIC Reservoirs allow you to choose the style cover plate for your individual needs.

*Reservoir and Cover Plate must be ordered as separate items. Please use Part Number when ordering.*

NOTE: Filler Breathers are included with cover plates only

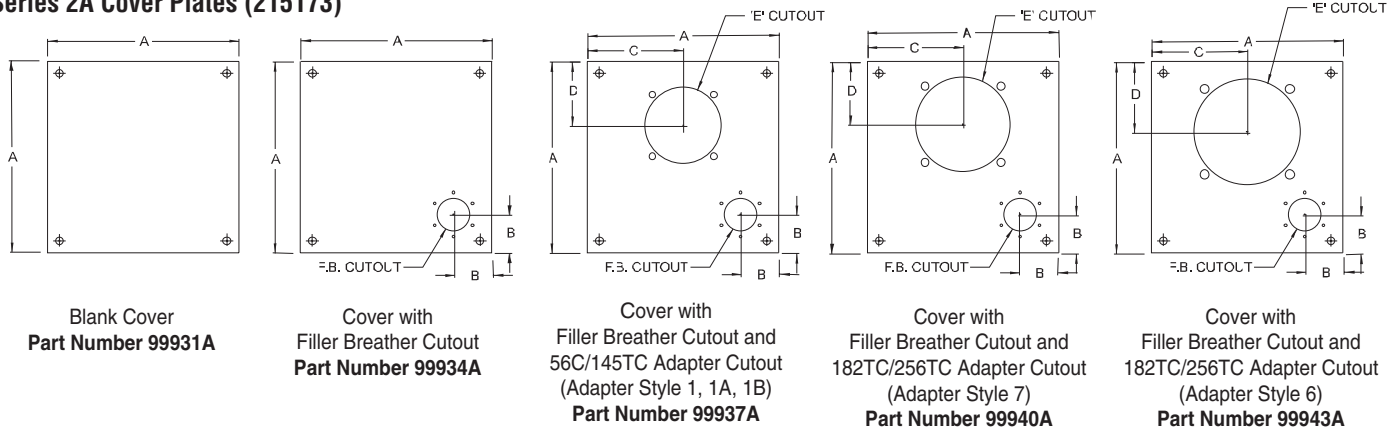
99937A  
COVER PLATE  
PART NUMBER

Example:  
Cover Plate for 10 Gallon Non-JIC Reservoir  
(215173) with 56C/145TC Adapter Cutout (Style 1)

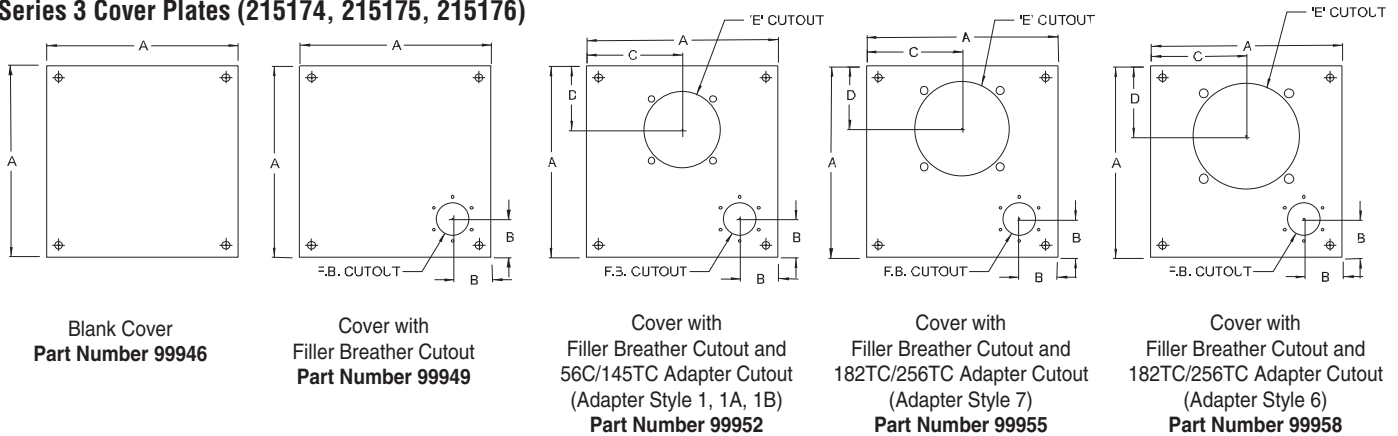
Reservoir Part Number	Standard Dimensions for Vertical Tops				
	A (SQ)	B	C	D	E (Adapter Cutout)
215173	16 1/2"	2 1/2"	8 1/4"	5 1/2"	Cutout for 56C/145TC Adapter (Style 1, 1A, 1B)
215173	16 1/2"	2 1/2"	8 1/4"	5 1/2"	Cutout for 182TC/256TC Adapter (Style 7)
215174	18"	2 1/2"	9"	5 1/2"	Cutout for 56C/145TC Adapter (Style 1, 1A, 1B)
215175	18"	2 1/2"	9"	5 1/2"	Cutout for 182TC/256TC Adapter (Style 7)
215176	18"	2 1/2"	9"	6 1/4"	Cutout for 182TC/256TC Adapter (Style 6)

\*See pages 131to 136 for adapter styles

### Series 2A Cover Plates (215173)



### Series 3 Cover Plates (215174, 215175, 215176)



Cover Plate Part Number	Description	Series
99931A	Blank Cover	2A
99934A	Cover with Filler Breather Cutout	2A
99237A	Cover with 56C/145TC Adapter Cutout	2A
99940A	Cover with 182C/256TC Adapter Cutout	2A
99943A	Cover with 182C/256TC Adapter Cutout	2A

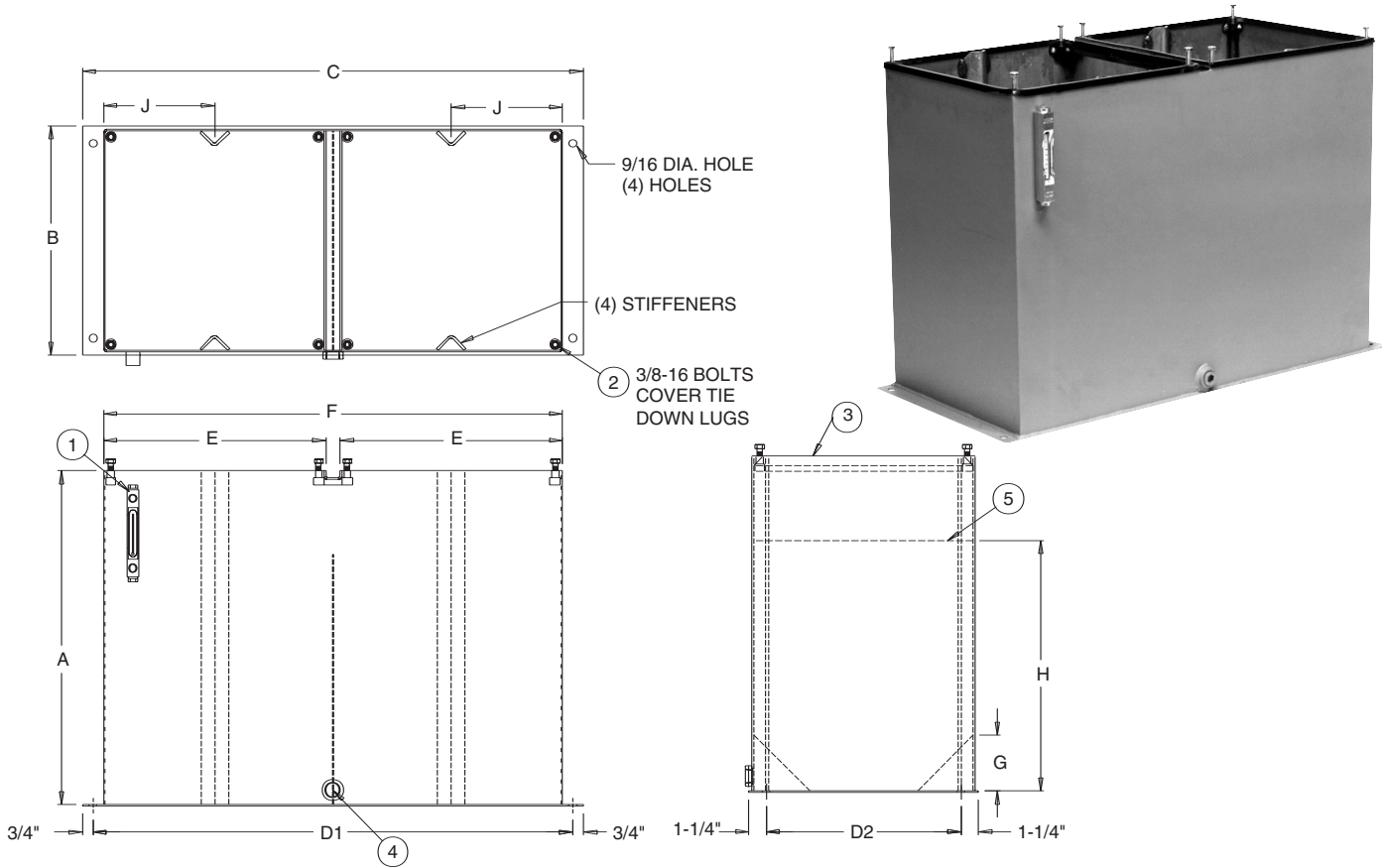
Cover Plate Part Number	Description	Series
99946	Blank Cover	3
99949	Cover with Filler Breather Cutout	3
99952	Cover with 56C/145TC Adapter Cutout	3
99955	Cover with 182C/256TC Adapter Cutout	3
99958	Cover with 182C/256TC Vert. Adapter Cutout	3

Note: All cover plates include Filler Breather bayonet style 40 micron (5201)

NOTE: WITH VESCORS' POLICY OF CONSTANTLY IMPROVING ITS PRODUCTS, SPECIFICATIONS ARE SUBJECT TO CHANGE WITHOUT NOTICE.



# DUAL VERTICAL RESERVOIRS



### Each Dual Vertical Non-JIC Reservoir Includes

1. (1) Oil Level and Temperature Gauge
2. (8) Cover Mounting Bolts
3. (2) Channel Gaskets for Cover Plate Seals
4. (1) 3/4" NPT Drain.
5. (1) Baffle with Cutouts for Circulation
6. Steel Construction with Customer Choice of Top
7. Exterior of Reservoir Prime Painted
8. Interior of Reservoir Coated with Rust Preventive oil.

Note: Cover Plates ordered as separate items. See pages 20 and 22

### Dual Vertical Reservoirs - Series 2

Capacity Gallons	Vescor Part Number	Tank Dimensions (inches)										Shipping Weight
		A	B	C	Mounting Centers		E	F	G	H	J	
40	215188	24"	16 1/2"	36"	D1 ±1/8"	D2 ±1/8"	16"	33"	4"	18"	8"	128#
60	215189	36"	16 1/2"	36"	34 1/2"	14"	16"	33"	4"	24"	8"	179#

All Series 2 Vertical Reservoirs use standard Vescor Series 2 cover plates. See page 20 for cover plate availability. (2) cover plates required per reservoir.

### Dual Vertical Reservoirs - Series 3

Capacity Gallons	Vescor Part Number	Tank Dimensions (inches)										Shipping Weight
		A	B	C	Mounting Centers		E	F	G	H	J	
50	215195	22 1/2"	18"	39"	D1 ±1/8"	D2 ±1/8"	17 1/2"	36"	5"	19"	8 3/4"	135#
60	215196	26 1/2"	18"	39"	37 1/2"	15 1/2"	17 1/2"	36"	5"	22 1/2"	8 3/4"	154#

All Series 3 Vertical Reservoirs use standard Vescor Series 3 cover plates. See page 22 for cover plate availability. (2) cover plates required per reservoir.





# NON-J.I.C. RESERVOIRS

## Horizontal Removable Top



### Each Removable Top Horizontal Non-J.I.C. Reservoir Includes:

1. (1) Oil Level & Temp. Gauge
2. (1) Filler Breather (no hole provided)
3. (1) 3/4" NPT Drain
4. Neoprene foam gasket for top plate seal
5. Steel construction with removable top
6. Exterior of reservoir prime painted
7. Interior of reservoir coated with a rust preventive oil

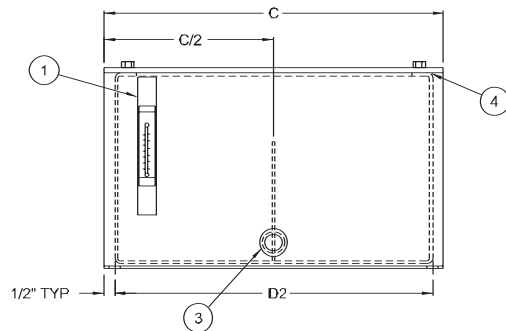
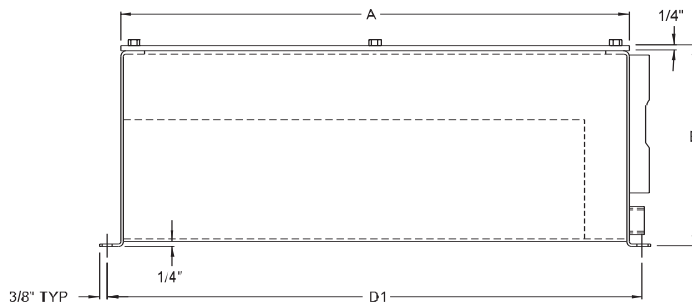
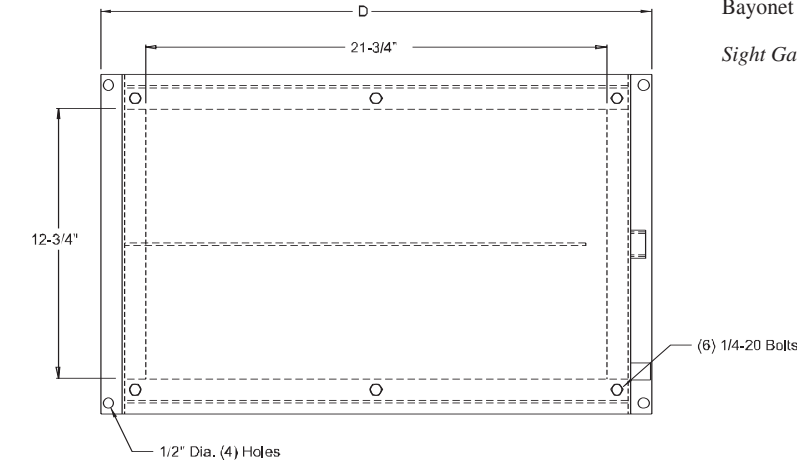
### Sight Gauge

10 to 40 gallon - 5" sight gauge (ALG5T)

### Filler Breather

Bayonet Style - 40 micron (5201)

*Sight Gauge and Filler Breather shipped loose inside reservoir*



Capacity Gallons	Vescor Part Number	Tank Dimensions (Inches)				Mounting Centers		Shipping Weight	Vescor Part Number No Baffle
		A	B	C	D	D1 ±1/8"	D2 ±1/8"		
10	5300	24"	9 1/2"	16"	26"	25 1/4"	15"	70#	215310
20	5301	24"	15 1/2"	16"	26"	25 1/4"	15"	80#	215320
30	5302	24"	21 1/2"	16"	26"	25 1/4"	15"	110#	215330
40	5303	24"	27 1/2"	16"	26"	25 1/4"	15"	135#	215340



# NON-J.I.C. RESERVOIRS

## Horizontal Welded Top

### ORDERING INFORMATION

VESCOR Horizontal Non-JIC Reservoirs can be ordered with mounting for In-Tank Water Cooler (TMWC001-\*)  
Please use Part Number when ordering.

5140	-	TMWC
RESERVOIR PART NUMBER		OMIT - Standard Reservoir TMWC - Cutout for in-tank cooler

Note: In-tank cooler purchased as separate item  
Sight Gauge and Filler Breather shipped loose inside reservoir



### Each Horizontal Non-J.I.C. Reservoirs includes:

- 1 (1) Oil Level & Temp. Gauge
2. (1) Filler Breather (hole not provided)
- \* 3. (2) 6" Cleanout Covers or In-Tank Oil Cooler Mounting
4. Baffle with cutout for circulation
5. (1) 3/4" NPT Drain
6. Steel construction with welded top
7. Exterior of reservoir prime painted
8. Interior of reservoir coated with rust preventive oil

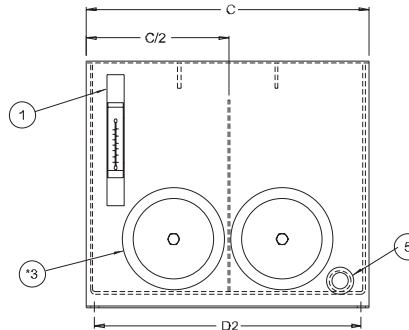
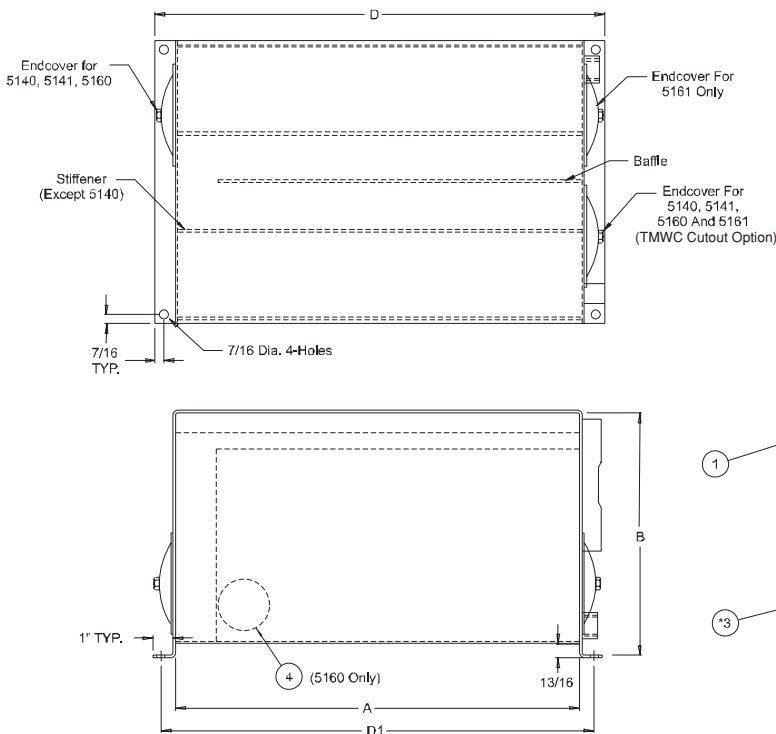
### Sight Gauge

10 to 40 gallon - 5" sight gauge (ALG5T)

### Filler Breather

Bayonet Style - 40 micron (5201)

\* NOTE: In-Tank Oil Cooler is installed in place of (1) 6" cleanout cover

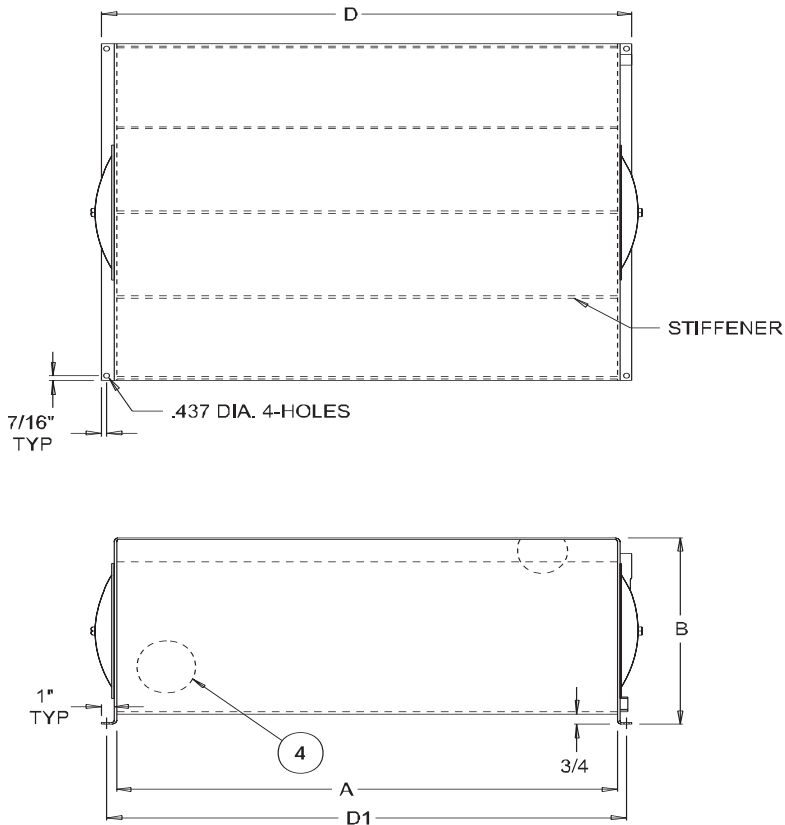


Capacity Gallons	Vescor Part Number	Tank Dimensions (inches)				Mounting Centers		Shipping Weight
		A	B	C	D	D <sub>1</sub> ±1/8"	D <sub>2</sub> ±1/8"	
10	5140	20"	12"	14"	22 1/4"	21 3/8"	13 1/8"	50#
20	5141	24"	14"	18"	26 1/4"	25 3/8"	17 1/8"	80#
30	5160	36"	14"	18"	38 1/4"	37 3/8"	17 1/8"	100#
40	5161	36"	14"	24"	38 1/4"	37 3/8"	23 1/8"	130#



# NON-J.I.C. RESERVOIRS

## Horizontal Welded Top



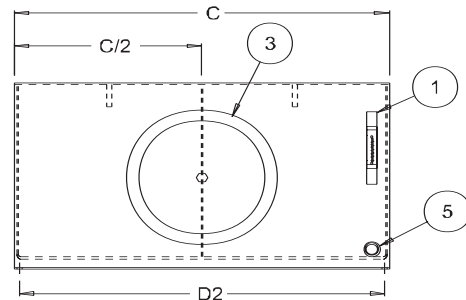
**Each Horizontal Non-J.I.C. Reservoir includes:**

1. (1) Oil Level & Temp. Gauge
2. (1) Filler Breather (hole not provided)
3. (2) 12" Cleanout Covers
4. Baffle with cutouts for circulation
5. (1) 3/4" NPT Drain
6. Steel construction with welded top
7. Exterior of reservoir prime painted
8. Interior of reservoir coated with rust preventive oil

**Sight Gauge**

60 to 100 gallon - 5" sight gauge (ALG5T)

*Sight Gauge and Filler Breather shipped loose inside reservoir*

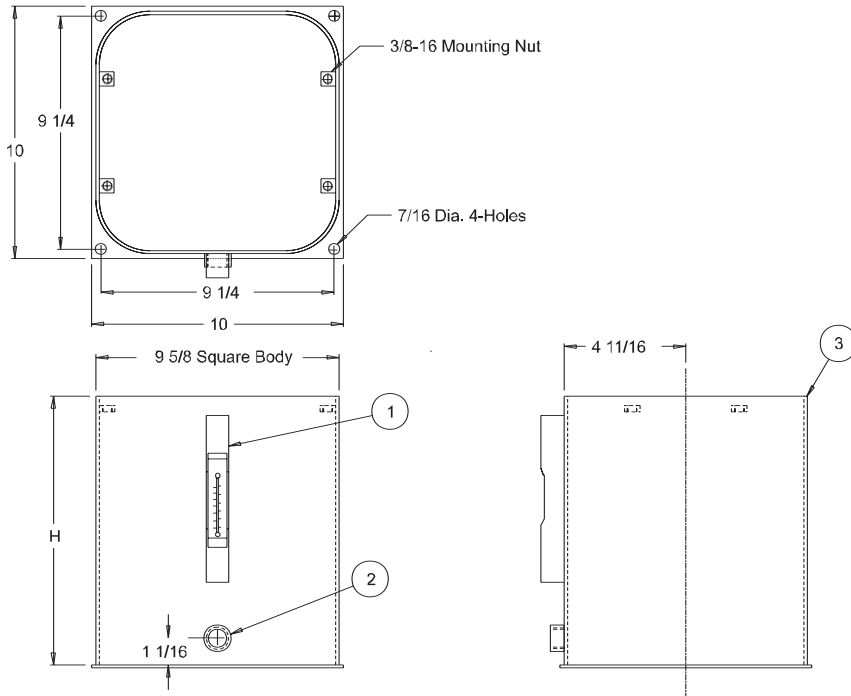


Capacity Gallons	Vescor Part Number	Tank Dimensions (inches)				Mounting Centers		Shipping Weight
		A	B	C	D	D <sub>1</sub> ±1/8"	D <sub>2</sub> ±1/8"	
60	<b>5162</b>	40"	16 <sup>5</sup> / <sub>8</sub> "	30"	42 <sup>3</sup> / <sub>8</sub> "	41 <sup>1</sup> / <sub>2</sub> "	29 <sup>1</sup> / <sub>8</sub> "	270#
80	<b>5163</b>	48"	16 <sup>5</sup> / <sub>8</sub> "	30"	50 <sup>3</sup> / <sub>8</sub> "	49 <sup>1</sup> / <sub>2</sub> "	29 <sup>1</sup> / <sub>8</sub> "	320#
100	<b>5164</b>	52"	16 <sup>5</sup> / <sub>8</sub> "	36"	54 <sup>3</sup> / <sub>8</sub> "	53 <sup>1</sup> / <sub>2</sub> "	35 <sup>1</sup> / <sub>8</sub> "	410#
100	<b>5165</b>	48"	19"	30"	50 <sup>3</sup> / <sub>8</sub> "	49 <sup>1</sup> / <sub>2</sub> "	29 <sup>1</sup> / <sub>8</sub> "	410#



# VARI-PAK RESERVOIRS

## 2, 3 and 5 Gallon Capacity



### Each Vari-Pak Reservoir Includes:

1. (1) Oil Level & Temp. Gauge
2. (1) 1/2" NPT Drain
3. Channel Gasket for Top Plate Seal
4. Steel Construction with Customer Choice of Top Plate
5. Exterior of reservoir prime painted
6. Interior of reservoir coated with rust preventive oil

### Sight Gauge

2, 3 to 5 gallon - 5" sight gauge (ALG5T)

**NOTE: Cover Plate ordered as separate item (see below)**

*Sight Gauge shipped loose inside reservoir, Filler Breather included with cover plate*

Vescor Part Number	H (height)	Capacity	Shipping Weight
29902	8"	2 Gallons	18#
29903	12"	3 Gallons	23#
29905	16"	5 Gallons	28#

\*Weight does not include covers

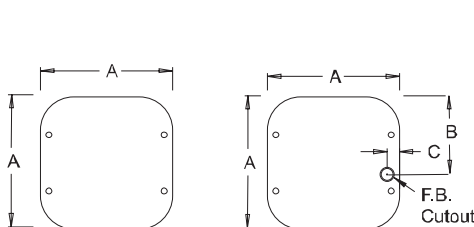
### COVER PLATES

Vescor Vari-Pak Reservoirs allow you to choose the style cover plate for your individual needs.

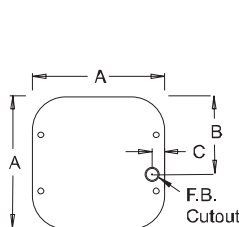
*Reservoir and Cover Plate must be ordered as separate items. Please use part number when ordering.*

Cover Part Number	A (SQ)	B	C	D	E	F (ADAPTER CUTOUT)
99908 99909 99910 99911	10 1/8"	5 15/16"	1 3/16"	5 1/16"	3 21/32"	cutout for 56/145TC adapter (style 1, 1A, 1B)
99907	10 1/8"	N/A	N/A	5 1/16"	5 1/16"	cutout for 182/256TC adapter only (style 7)

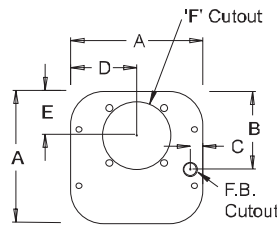
All covers include (1) PMB07-10 Mini Breather



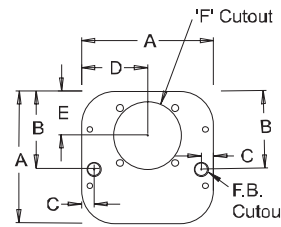
Style A Cover Plate  
Blank Cover  
Part Number 99908



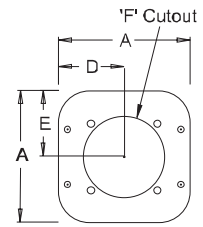
Style B Cover Plate  
with Breather Cutout  
Part Number 99909



Style C Cover Plate  
with Breather Cutout and  
56C/145TC Adapter Cutout  
Part Number 99910



Style D Cover Plate  
with Breather Cutout and  
56C/145TC Adapter Cutout  
1/2" NPT Connection  
Part Number 99911

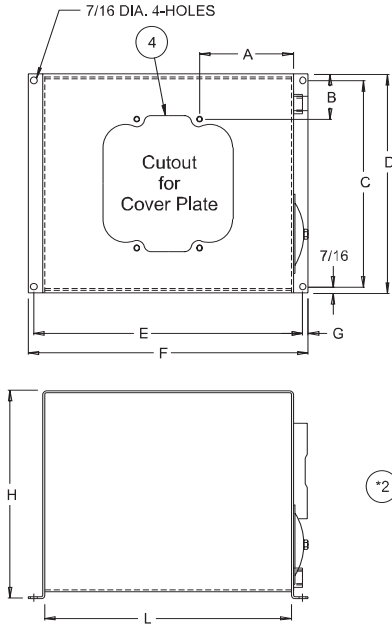


Style E Cover Plate  
182/256TC Adapter Cutout  
Part Number 99907



# VARI-PAK RESERVOIRS

## 8, 10 and 14 Gallon Capacity



### Each Vari-Pak Reservoir Includes:

1. (1) Oil Level & Temp. Gauge
- \* 2. 6" Cleanout Cover or In-Tank Oil Cooler mounting \*(NOTE: In-Tank Oil cooler is installed in place of 6" cleanout cover)
3. (1) 3/4" NPT Drain
4. Buna-N Gasket for Top Plate Seal
5. Steel Construction with Customer Choice of Top Plate
6. Exterior of reservoir prime painted
7. Interior of reservoir coated with rust preventive oil

### Sight Gauge

8 to 14 gallon - 5" sight gauge (ALG5T)

**NOTE: Cover Plate ordered as separate item (see below)**

*Sight Gauge shipped loose inside reservoir, Filler Breather included with cover plate*

Capacity Gallons	Vescor Part Number	Tank Dimensions (inches)									Shipping Weight
		A	B	C	D	E	F	G	H	L	
8	<b>29908</b>	5"	1 <sup>5</sup> / <sub>8</sub> "	11 <sup>1</sup> / <sub>8</sub> "	12"	13 <sup>3</sup> / <sub>8</sub> "	14 <sup>1</sup> / <sub>4</sub> "	7/16"	18 <sup>1</sup> / <sub>8</sub> "	12"	45#
10	<b>29910</b>	6 <sup>3</sup> / <sub>8</sub> "	3 <sup>1</sup> / <sub>16</sub> "	14"	14 <sup>7</sup> / <sub>8</sub> "	18 <sup>1</sup> / <sub>8</sub> "	19"	7/16"	14 <sup>1</sup> / <sub>8</sub> "	16 <sup>3</sup> / <sub>4</sub> "	57#
14	<b>29914</b>	7"	1 <sup>5</sup> / <sub>8</sub> "	11 <sup>1</sup> / <sub>8</sub> "	12"	19 <sup>3</sup> / <sub>8</sub> "	20 <sup>1</sup> / <sub>4</sub> "	7/16"	20 <sup>1</sup> / <sub>8</sub> "	18"	65#

### ORDERING INFORMATION

VESCOR Vari-Pak Reservoirs can be ordered with mounting for In-Tank Water Cooler (TMWC001-\*)  
Please use Part Number when ordering.

\*In-Tank cooler purchased as separate item

[29908] - [TMWC]  
RESERVOIR OMIT - Standard Reservoir  
PART NUMBER TMWC - cutout for in-tank cooler

### COVER PLATES

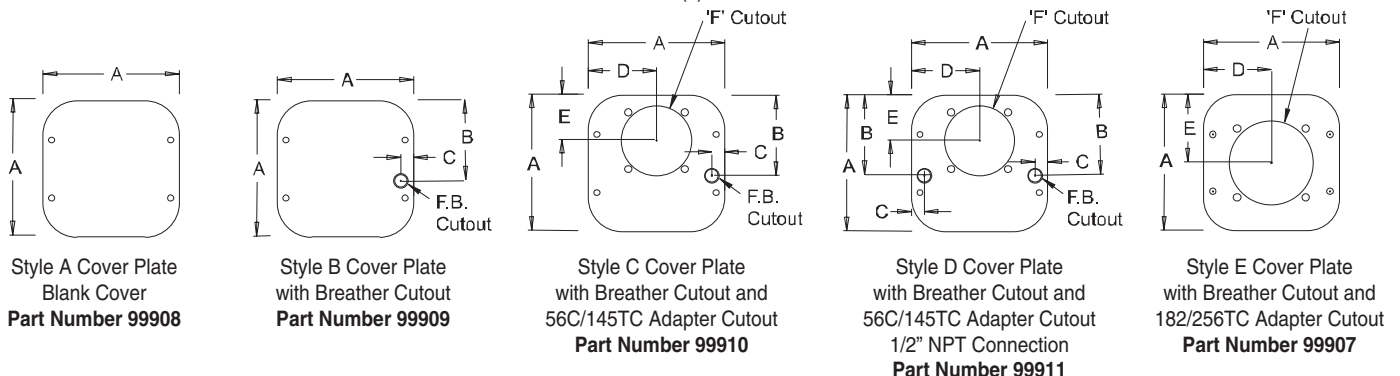
Vescor Vari-Pak Reservoirs allow you to choose the style cover plate for your individual needs.

**Reservoir and Cover Plate must be ordered as separate items.**

*Please use part number when ordering*

Cover Part Number	A (SQ)	B	C	D	E	F (ADAPTER CUTOUT)
99908 99909 99910 99911	10 <sup>1</sup> / <sub>8</sub> "	5 <sup>15</sup> / <sub>16</sub> "	1 <sup>3</sup> / <sub>16</sub> "	5 <sup>1</sup> / <sub>16</sub> "	3 <sup>21</sup> / <sub>32</sub> "	cutout for 56/145TC adapter (style 1, 1A, 1B)
99907	10 <sup>1</sup> / <sub>8</sub> "	N/A	N/A	5 <sup>1</sup> / <sub>16</sub> "	5 <sup>1</sup> / <sub>16</sub> "	cutout for 182/256TC adapter only (style 7)

All covers include (1) PMB07-10 Mini Breather

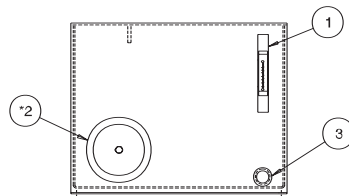
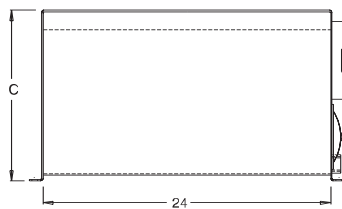
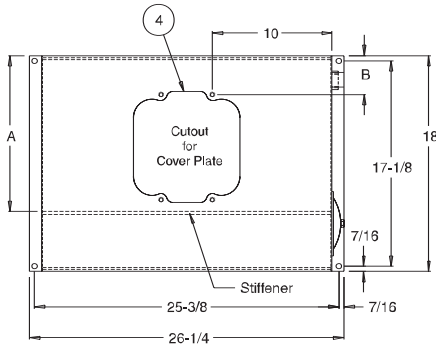


NOTE: WITH VESCORS' POLICY OF CONSTANTLY IMPROVING ITS PRODUCTS, SPECIFICATIONS ARE SUBJECT TO CHANGE WITHOUT NOTICE.



# VARI-PAK RESERVOIRS

## 20 and 25 Gallon Capacity



### Each Vari-Pak Reservoir Includes:

1. (1) Oil Level & Temp. Gauge
- \* 2. 6" Cleanout Cover or In-Tank Oil Cooler mounting  
\*(NOTE: In-Tank Oil cooler is installed in place of 6" cleanout cover)
3. (1) 3/4" NPT Drain
4. Buna-N Gasket for Top Plate Seal
5. Steel Construction with Customer Choice of Top Plate
6. Exterior of reservoir prime painted
7. Interior of reservoir coated with rust preventive oil

### Sight Gauge

20 to 25 gallon - 5" sight gauge (ALG5T)

**NOTE: Cover Plate ordered as separate item (see below)**

*Sight Gauge shipped loose inside reservoir, Filler Breather included with cover plate*

Capacity Gallons	Vescor Part Number	Tank Dimensions (inches)			Shipping Weight
		A	B	C	
20	<b>29920</b>	13"	3 1/4"	14 1/4"	80
25	<b>29925</b>	12 1/4"	3"	18 1/8"	94

### ORDERING INFORMATION

VESCOR Vari-Pak Reservoirs can be ordered with mounting for In-Tank Water Cooler (TMWC001-\*)  
Please use Part Number when ordering.  
\*In-Tank cooler purchased as separate item

29920	-	TMWC
RESERVOIR PART NUMBER		OMIT - Standard Reservoir TMWC - cutout for in-tank cooler

### COVER PLATES

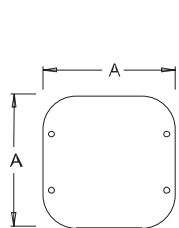
Vescor Vari-Pak Reservoirs allow you to choose the style cover plate for your individual needs.

**Reservoir and Cover Plate must be ordered as separate items.**

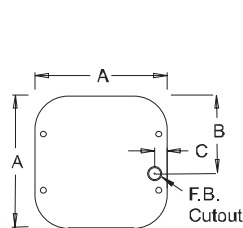
*Please use part number when ordering*

COVER PART NUMBER	A (SQ)	B	C	D	E	F (ADAPTER CUTOUT)
99908	10 1/8"	5 15/16"	1 3/16"	5 1/16"	3 2 1/32"	cutout for 56/145TC adapter (style 1, 1A, 1B)
99909						
99910						
99911						
99907		N/A	N/A		5 1/16"	cutout for 182/256TC adapter only (style 7)

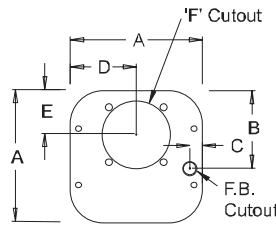
All covers includes (1) PMB07-10 Mini Breather



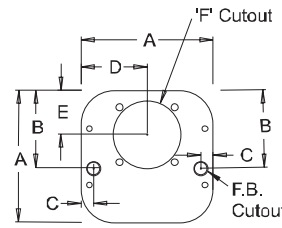
Style A Cover Plate  
Blank Cover  
Part Number 99908



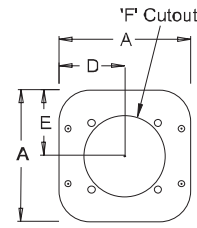
Style B Cover Plate  
with Breather Cutout  
Part Number 99909



Style C Cover Plate  
with Breather Cutout and  
56C/145TC Adapter Cutout  
Part Number 99910



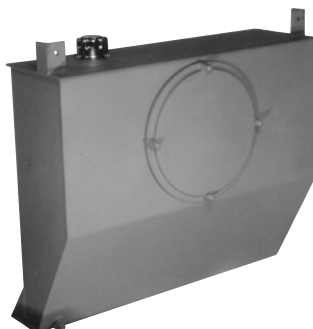
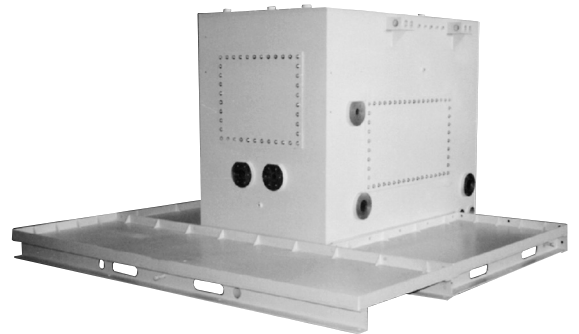
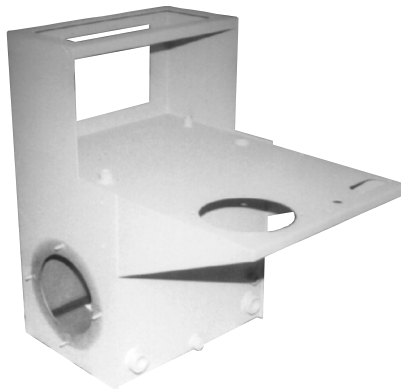
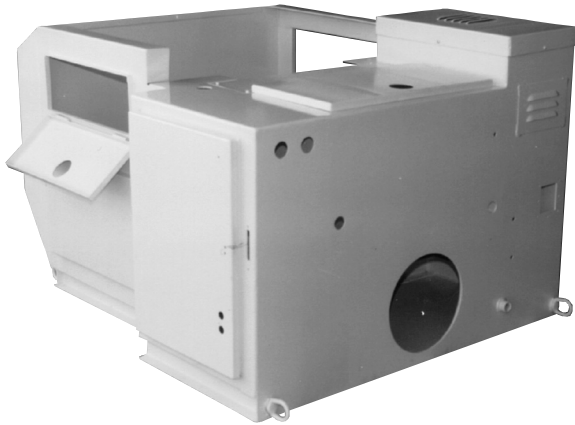
Style D Cover Plate  
with Breather Cutout and  
56C/145TC Adapter Cutout  
1/2" NPT Connection  
Part Number 99911



Style E Cover Plate  
with Breather Cutout and  
182/256TC Adapter Cutout  
Part Number 99907



## CUSTOM RESERVOIRS



### *Custom Reservoirs Are Standard*

For over 30 years, VESCOR has signified excellence in hydraulic reservoirs and accessories. VESCOR has always offered exceptional quality and service in the manufacturing of hydraulic reservoirs for a wide variety of applications.

While offering a complete line of standard reservoirs, VESCOR is one of the largest manufacturer of customized tanks and reservoirs. VESCOR can manufacture your customized reservoir in quantities of one to one hundred. A complete, totally updated engineering department assists customers in developing the most cost effective and practical design for every application.

VESCOR is proud of its earned reputation for quality and on-time performance, this is due in part to refined engineering specifications and quality control efforts. VESCOR offers a depth of experience few competitors can match. VESCORS' personnel are continually trained in the use of new technology. New advanced equipment maintains the highest possible manufacturing standards.

VESCORS' *off the shelf* reservoirs are always available. Customers are often able to utilize *modified standards* in their design, thus saving in manufacturing costs.

When you need a quality tank or reservoir, call or e-mail VESCOR for assistance and a quote.

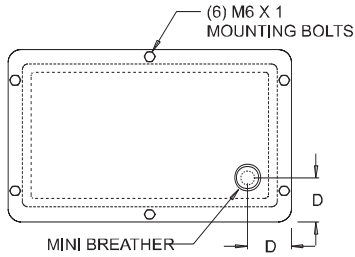
At VESCOR *Custom Reservoirs Are Standard.*



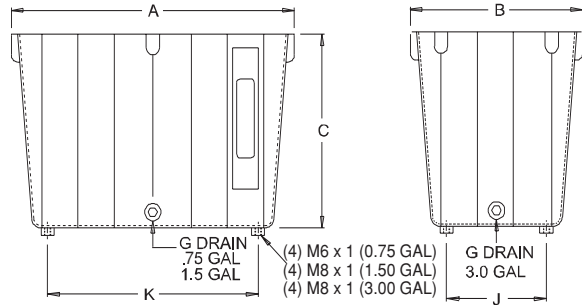
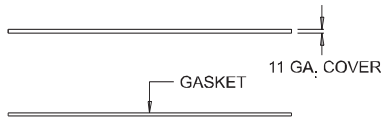
# ALUMINUM RESERVOIRS

## VESCOR® Aluminum Reservoirs

- Suitable for General Hydraulic Applications
- Drain Plug included on all sizes
- Vescor Guarantees 100% Leak Free
- Readily Available from Stock
- Tank Material – Cast Aluminum
- Cover Material – Steel



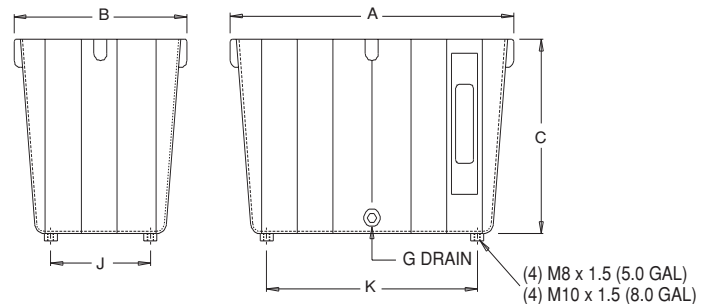
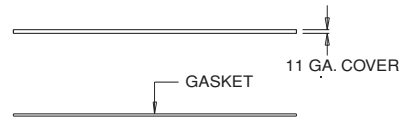
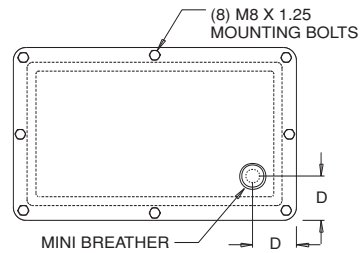
Vescor Part Number	Capacity		Dimensions						
	Gallons	Liters	A	B	C	D	G BSPP	J	K
<b>63700</b>	.75	3.00	8.66	6.29	5.91	1.25	1/4"	4.13	6.50
<b>63705</b>	1.5	6.50	11.02	7.82	6.93	1.25	1/4"	5.12	8.27
<b>63706</b>	3	12.00	13.39	9.72	8.66	1.25	3/8"	6.69	9.84



### Each Aluminum Reservoir Includes:

- (1) Steel Cover Plate
- (1) Mini Breather (3/4" NPT)
- (1) Cover Gasket
- (1) Set Cover Mounting Hardware
- (1) Oil Level & Temp. Gauge
- (1) Drain Plug

*Sight Gauge and Filler Breather shipped loose inside reservoir*



Vescor Part Number	Capacity		Dimensions						
	Gallons	Liter	A	B	C	D	G BSPP	J	K
<b>63707</b>	5.0	20.00	14.49	11.42	9.57	1.25	1/2"	7.56	10.63
<b>63708</b>	8.0	30.00	19.29	13.39	11.22	1.25	1/2"	6.93	12.84

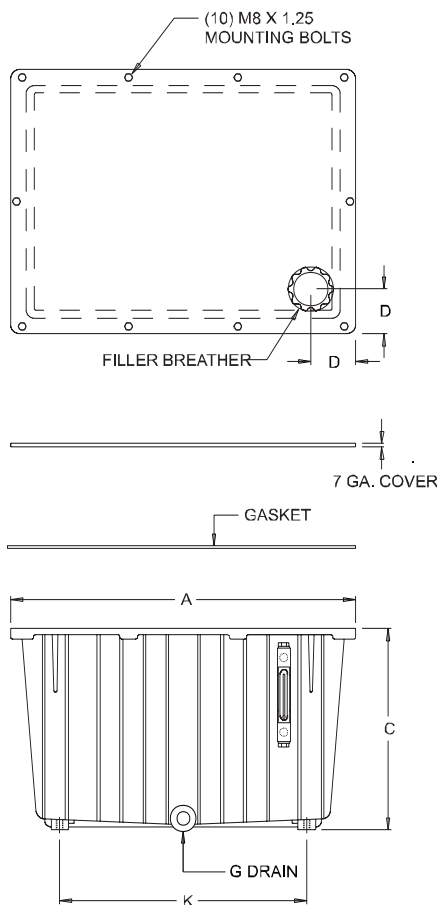
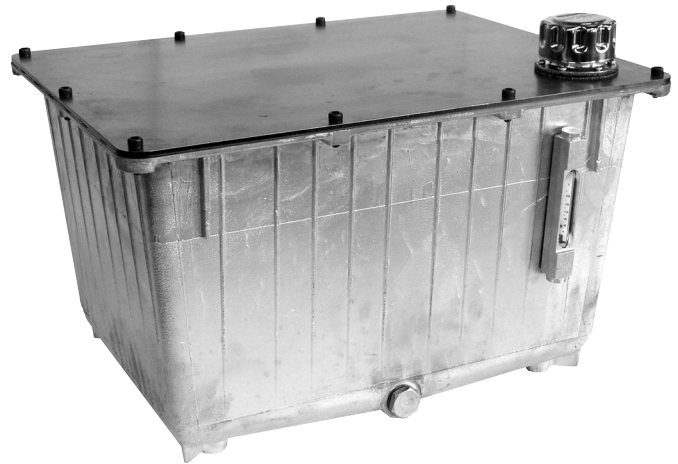




# ALUMINUM RESERVOIRS

## VESCOR® Aluminum Reservoirs

- Suitable for General Hydraulic Applications
- Drain Plug included on all sizes
- Vescor Guarantees 100% Leak Free
- Readily Available from Stock
- Tank Material – Cast Aluminum
- Cover Material – Steel



### Each Aluminum Reservoir Includes:

- (1) Steel Cover Plate
- (1) Filler Breather
- (1) Cover Gasket
- (1) Set Cover Mounting Hardware
- (1) Oil Level & Temp. Gauge
- (1) Drain Plug

*Sight Gauge and Filler Breather shipped loose inside reservoir*

Vescor Part Number	Capacity		Dimensions						
	Gallons	Liters	A	B	C	D	G BSPP	J	K
<b>63709</b>	14.50	55.00	14.49	17.72	13.58	3.00	3/4"	10.87	15.75
<b>63710</b>	20.00	76.00	23.43	17.72	18.31	3.00	3/4"	10.87	15.75