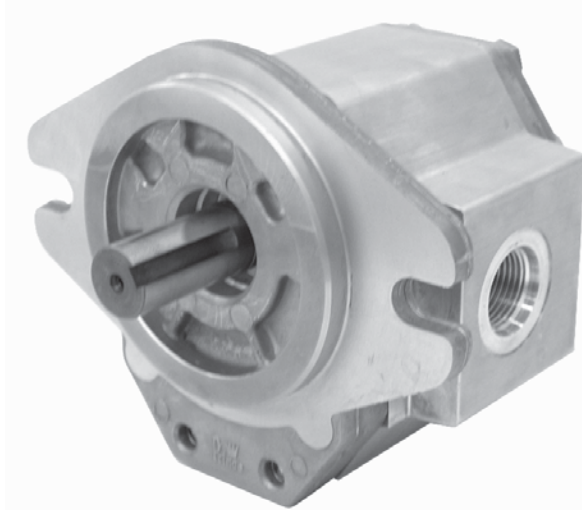
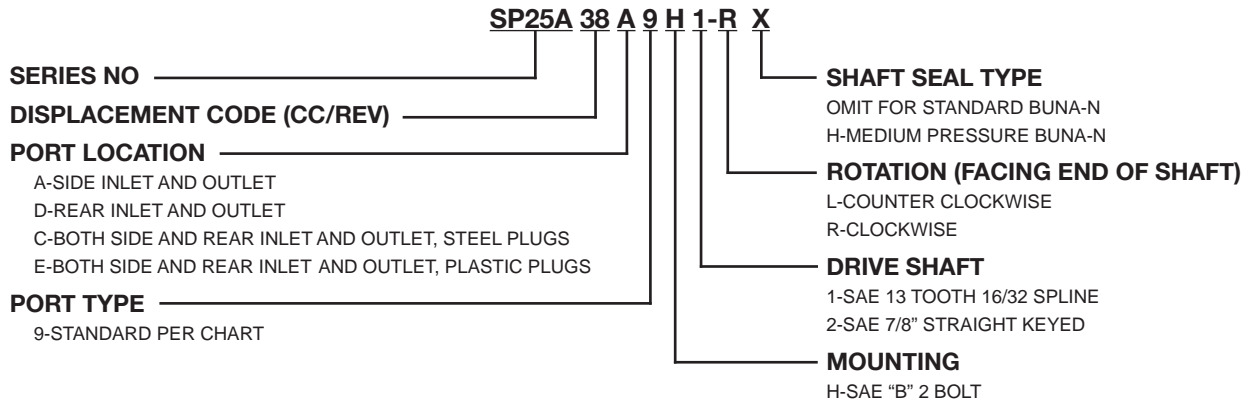


# SP25 SERIES SAE "B" FLANGE PUMP



## MODEL CODE

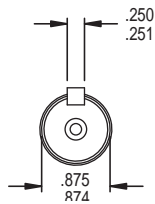
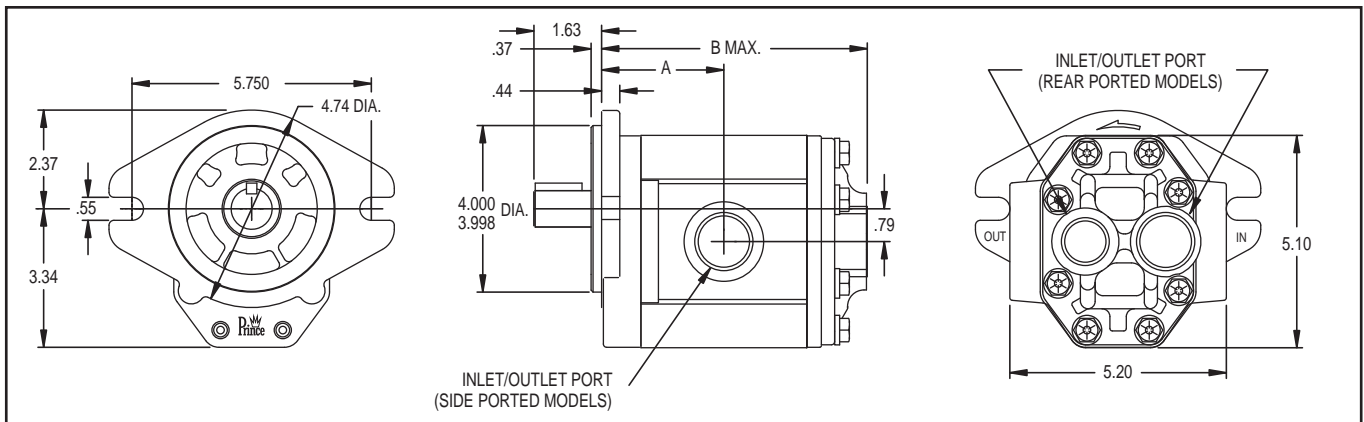


## SPECIFICATIONS

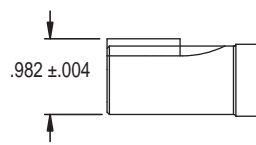
MODEL NUMBER	DISP. IN <sup>3</sup> /REV (PSI)	RATED PRESSURE	MAX <sup>o</sup> RPM	A	B	INLET PORT			OUTLET PORT			WT. (LB.)
						SAE SIZE		FULL THREAD DEPTH	SAE SIZE		FULL THREAD DEPTH	
						SIDE	REAR		SIDE	REAR		
SP25A19	1.141	3000	3000	2.49	5.50	1 5/16-12	UN-2B	3/4"	1 1/16-12	UN-2B	3/4"	10.4
SP25A22	1.349	3000	3000	2.55	5.62	UN-2B			UN-2B			10.6
SP25A27	1.660	3000	3000	2.64	5.79	1 5/8-12	UN-2B	3/4"	1 1/16-12	UN-2B	3/4"	11.0
SP25A32	2.008	3000	3000	2.74	5.99				UN-2B			UN-2B
SP25A38	2.318	3000	3000	2.83	6.17	UN-2B	UN-2B	3/4"	1 5/16-12	UN-2B	3/4"	12.4
SP25A44	2.697	3000	3000	2.94	6.38				UN-2B			UN-2B
SP25A52	3.179	2500	3000	3.07	6.66	1 7/8-12	UN-2B	3/4"	1 5/16-12	UN-2B	3/4"	13.9
SP25A63	3.869	2500	3000	3.27	7.05				UN-2B			UN-2B
												15.4

<sup>o</sup>Max. RPM for side ported models. Rear ported models should be restricted to 25 GPM due to limitation on the inlet port size. Standard Seal Kit for all SP25 Models is Prince Part No. PMCK-SP25.

## SP25 SERIES DIMENSIONAL DATA



### KEYED SHAFT SHAFT CODE 2



### SPLINED SHAFT

SHAFT CODE 1  
13 TOOTH  
16/32 DP  
30° PA  
FLAT ROOT SIDE FIT

## TYPICAL PERFORMANCE DATA

MODEL		RPM						PRESSURE (PSI)
		500	1000	1500	2000	2500	3000	
SP25A19	FLOW (GPM)	2.09	4.55	6.90	9.39	11.89	14.24	3000
	INPUT HORSE POWER	4.65	9.31	13.96	18.70	23.45	28.29	
SP25A22	FLOW (GPM)	2.64	5.28	8.22	11.08	13.94	16.81	
	INPUT HORSE POWER	5.58	10.98	16.38	21.96	27.36	33.31	
SP25A27	FLOW (GPM)	3.33	6.75	10.27	13.70	17.22	20.74	
	INPUT HORSE POWER	6.99	13.48	20.22	26.97	33.96	40.95	
SP25A32	FLOW (GPM)	3.91	8.22	12.43	16.73	21.14	25.44	
	INPUT HORSE POWER	8.24	15.98	24.22	32.46	40.95	49.94	
SP25A38	FLOW (GPM)	4.26	9.10	14.09	19.08	24.07	28.77	
	INPUT HORSE POWER	8.56	18.24	27.54	36.85	46.90	56.57	
SP25A44	FLOW (GPM)	4.99	10.86	16.44	22.16	27.89	33.61	
	INPUT HORSE POWER	10.42	21.22	32.01	43.18	54.71	66.25	
SP25A52	FLOW (GPM)	6.16	12.92	19.67	26.42	33.17	39.63	2500
	INPUT HORSE POWER	11.17	21.96	32.38	43.55	55.09	67.00	
SP25A63	FLOW (GPM)	7.52	15.60	23.86	31.93	40.00	48.08	
	INPUT HORSE POWER	14.14	26.43	39.45	52.85	66.62	80.77	

Typical Performance Data Based on 140 SUS Oil at 120° F.