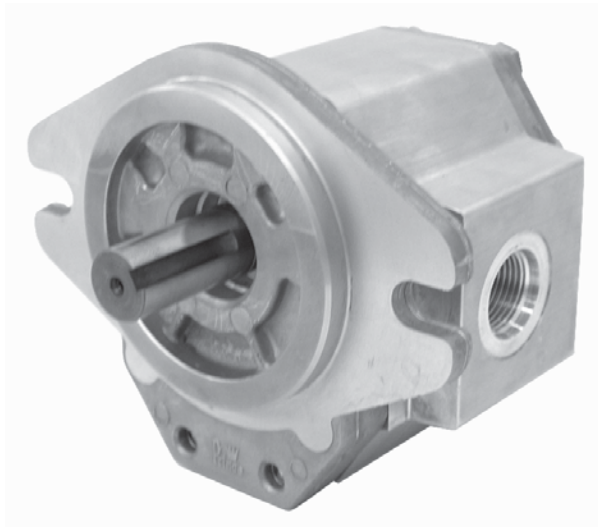
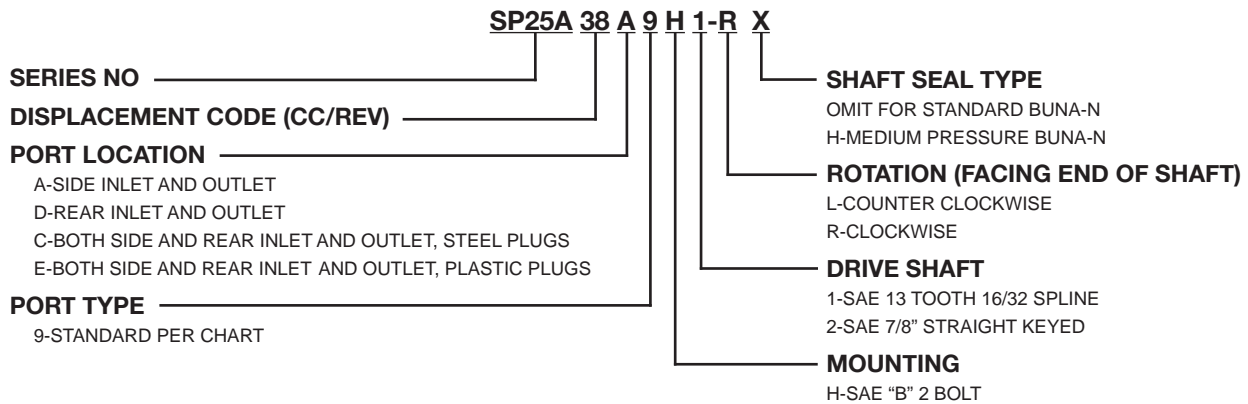


SP25 SERIES SAE "B" FLANGE PUMP



MODEL CODE



SPECIFICATIONS

MODEL NUMBER	DISP. IN ³ /REV (PSI)	RATED PRESSURE	MAX ^o RPM	A	B	INLET PORT			OUTLET PORT			WT. (LB.)
						SAE SIZE		FULL THREAD DEPTH	SAE SIZE		FULL THREAD DEPTH	
						SIDE	REAR		SIDE	REAR		
SP25A19	1.141	3000	3000	2.49	5.50	1 5/16-12	UN-2B	3/4"	1 1/16-12	UN-2B	3/4"	10.4
SP25A22	1.349	3000	3000	2.55	5.62	UN-2B			UN-2B			10.6
SP25A27	1.660	3000	3000	2.64	5.79	1 5/8-12	UN-2B	3/4"	1 1/16-12	UN-2B	3/4"	11.0
SP25A32	2.008	3000	3000	2.74	5.99				UN-2B			UN-2B
SP25A38	2.318	3000	3000	2.83	6.17	UN-2B	UN-2B	3/4"	1 5/16-12	UN-2B	3/4"	12.4
SP25A44	2.697	3000	3000	2.94	6.38				UN-2B			UN-2B
SP25A52	3.179	2500	3000	3.07	6.66	1 7/8-12	UN-2B	3/4"	1 5/16-12	UN-2B	3/4"	13.9
SP25A63	3.869	2500	3000	3.27	7.05				UN-2B			UN-2B
°Max. RPM for side ported models. Rear ported models should be restricted to 25 GPM due to limitation on the inlet port size. Standard Seal Kit for all SP25 Models is Prince Part No. PMCK-SP25.												

PUMPS AND MOTORS