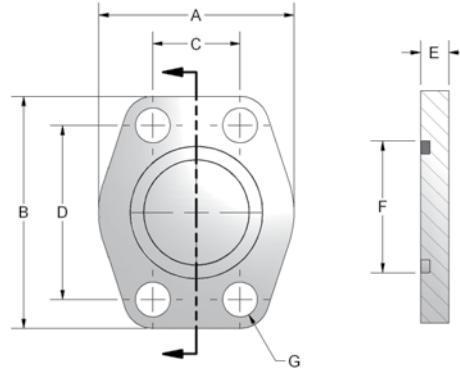


Zero PSI Shipping Plate



Anchor Fluid Power has developed a low cost solution to leaky, gasketless port covers. Forged steel shipping plates are 0.33" thick, silver trivalent plated for resistance to oxidation, and incorporate an o-ring groove on one side for "Zero Pressure" applications. The opposite side has a machined flat-face for capping off hose ends.

Applications Include: Cylinder Port Covers, Pump Port Covers, Stub-Out Header Line Covers, Maintenance Work and Great for Painting Protection

| CODE 61 SHIPPING PLATE | | | | | | | | | | | |
|------------------------|----------------|----------|------|------|-------|-------|-----|-------|------|-------------------|-------------|
| PART NO. | **KIT PART NO. | PAD SIZE | A | B | C | D | E | F | G | MOUNTING HARDWARE | |
| | | | | | | | | | | O-RING | HHCS |
| SP-8 | SP-8U | .50 | 1.81 | 2.12 | .688 | 1.500 | .33 | 1.000 | .344 | 210 | 5/16-18X.75 |
| SP-12 | SP-12U | .75 | 2.06 | 2.56 | .875 | 1.875 | .33 | 1.250 | .413 | 214 | 3/8-16X.75 |
| SP-16 | SP-16U | 1.00 | 2.31 | 2.75 | 1.031 | 2.063 | .33 | 1.560 | .413 | 219 | 3/8-16X.75 |
| SP-20 | SP-20U | 1.25 | 2.88 | 3.12 | 1.188 | 2.313 | .33 | 1.750 | .469 | 222 | 7/16-14X.75 |
| SP-24 | SP-24U | 1.50 | 3.25 | 3.69 | 1.406 | 2.750 | .33 | 2.115 | .531 | 225 | 1/2-13X.75 |
| SP-32 | SP-32U | 2.00 | 3.81 | 4.00 | 1.688 | 3.063 | .33 | 2.490 | .531 | 228 | 1/2-13X.75 |
| SP-40 | SP-40U | 2.50 | 4.28 | 4.50 | 2.000 | 3.500 | .33 | 2.995 | .531 | 232 | 1/2-13X.75 |
| SP-48 | SP-48U | 3.00 | 5.16 | 5.31 | 2.438 | 4.188 | .33 | 3.615 | .656 | 237 | 5/8-11X1.00 |
| SP-56 | SP-56U | 3.50 | 5.50 | 6.00 | 2.750 | 4.750 | .33 | 4.095 | .656 | 241 | 5/8-11X1.00 |
| SP-64 | SP-64U | 4.00 | 6.00 | 6.38 | 3.062 | 5.125 | .33 | 4.595 | .656 | 245 | 5/8-11X1.00 |

| CODE 62 SHIPPING PLATE | | | | | | | | | | | |
|------------------------|----------------|----------|------|------|-------|-------|-----|-------|-------|-------------------|--------------|
| PART NO. | **KIT PART NO. | PAD SIZE | A | B | C | D | E | F | G | MOUNTING HARDWARE | |
| | | | | | | | | | | O-RING | HHCS |
| SPX-8 | SPX-8U | .50 | 1.94 | 2.19 | .718 | 1.594 | .33 | 1.000 | .354 | 210 | 5/16-18X.75 |
| SPX-12 | SPX-12U | .75 | 2.50 | 2.81 | .937 | 2.000 | .33 | 1.250 | .433 | 214 | 3/8-16X.75 |
| SPX-16 | SPX-16U | 1.00 | 2.75 | 3.19 | 1.093 | 2.250 | .33 | 1.560 | .531 | 219 | 7/16-14X.75 |
| SPX-20 | SPX-20U | 1.25 | 3.06 | 3.75 | 1.250 | 2.625 | .33 | 1.750 | .610 | 222 | 1/2-13X.75 |
| SPX-24 | SPX-24U | 1.50 | 3.75 | 4.44 | 1.437 | 3.125 | .33 | 2.115 | .689 | 225 | 5/8-11X1.00 |
| SPX-32 | SPX-32U | 2.00 | 4.50 | 5.25 | 1.750 | 3.812 | .33 | 2.490 | .866 | 228 | 3/4-10X1.00 |
| SPX-40 | SPX-40U | 2.50 | 5.87 | 6.87 | 2.311 | 4.874 | .33 | 2.995 | 0.984 | 232 | 7/8-9X1.00 |
| SPX-48 | SPX-48U | 3.00 | 7.00 | 8.50 | 2.811 | 6.00 | .33 | 3.615 | 1.19 | 237 | 1 1/8-7X1.00 |

**When ordering this part # you will receive:(1) shipping plate, (4) hex head bolts, and (1) Buna N O-Ring

NOT FOR USE ON DYNAMIC OR PRESSURIZED APPLICATIONS