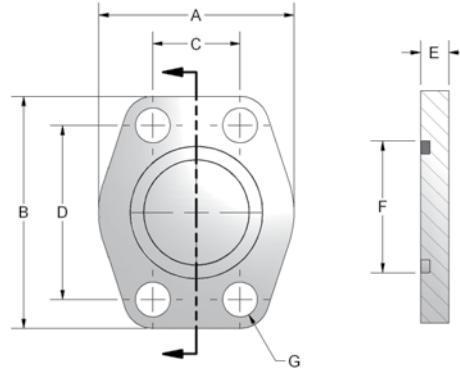


Zero PSI Shipping Plate



Anchor Fluid Power has developed a low cost solution to leaky, gasketless port covers. Forged steel shipping plates are 0.33" thick, silver trivalent plated for resistance to oxidation, and incorporate an o-ring groove on one side for **"Zero Pressure"** applications. The opposite side has a machined flat-face for capping off hose ends.

Applications Include: Cylinder Port Covers, Pump Port Covers, Stub-Out Header Line Covers, Maintenance Work and Great for Painting Protection

CODE 61 SHIPPING PLATE											
PART NO.	**KIT PART NO.	PAD SIZE	A	B	C	D	E	F	G	MOUNTING HARDWARE	
										O-RING	HHCS
SP-8	SP-8U	.50	1.81	2.12	.688	1.500	.33	1.000	.344	210	5/16-18X.75
SP-12	SP-12U	.75	2.06	2.56	.875	1.875	.33	1.250	.413	214	3/8-16X.75
SP-16	SP-16U	1.00	2.31	2.75	1.031	2.063	.33	1.560	.413	219	3/8-16X.75
SP-20	SP-20U	1.25	2.88	3.12	1.188	2.313	.33	1.750	.469	222	7/16-14X.75
SP-24	SP-24U	1.50	3.25	3.69	1.406	2.750	.33	2.115	.531	225	1/2-13X.75
SP-32	SP-32U	2.00	3.81	4.00	1.688	3.063	.33	2.490	.531	228	1/2-13X.75
SP-40	SP-40U	2.50	4.28	4.50	2.000	3.500	.33	2.995	.531	232	1/2-13X.75
SP-48	SP-48U	3.00	5.16	5.31	2.438	4.188	.33	3.615	.656	237	5/8-11X1.00
SP-56	SP-56U	3.50	5.50	6.00	2.750	4.750	.33	4.095	.656	241	5/8-11X1.00
SP-64	SP-64U	4.00	6.00	6.38	3.062	5.125	.33	4.595	.656	245	5/8-11X1.00

CODE 62 SHIPPING PLATE											
PART NO.	**KIT PART NO.	PAD SIZE	A	B	C	D	E	F	G	MOUNTING HARDWARE	
										O-RING	HHCS
SPX-8	SPX-8U	.50	1.94	2.19	.718	1.594	.33	1.000	.354	210	5/16-18X.75
SPX-12	SPX-12U	.75	2.50	2.81	.937	2.000	.33	1.250	.433	214	3/8-16X.75
SPX-16	SPX-16U	1.00	2.75	3.19	1.093	2.250	.33	1.560	.531	219	7/16-14X.75
SPX-20	SPX-20U	1.25	3.06	3.75	1.250	2.625	.33	1.750	.610	222	1/2-13X.75
SPX-24	SPX-24U	1.50	3.75	4.44	1.437	3.125	.33	2.115	.689	225	5/8-11X1.00
SPX-32	SPX-32U	2.00	4.50	5.25	1.750	3.812	.33	2.490	.866	228	3/4-10X1.00
SPX-40	SPX-40U	2.50	5.87	6.87	2.311	4.874	.33	2.995	0.984	232	7/8-9X1.00
SPX-48	SPX-48U	3.00	7.00	8.50	2.811	6.00	.33	3.615	1.19	237	1 1/8-7X1.00

**When ordering this part # you will receive:(1) shipping plate, (4) hex head bolts, and (1) Buna N O-Ring

NOT FOR USE ON DYNAMIC OR PRESSURIZED APPLICATIONS