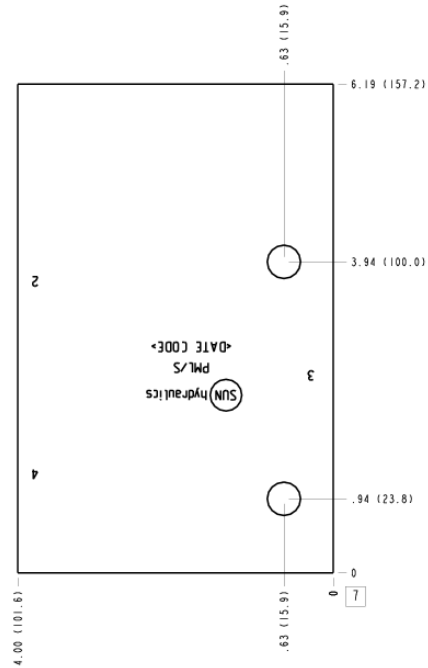


**CONFIGURATION**

/S Modifier 65-45-12 Ductile Iron, Buna-N, Blackened



**TECHNICAL DATA**

Body Type	Line mount
Interface	None
Body Features	Ninety degree
Mounting Hole Diameter	.42 in.
Mounting Hole Depth	Through
Mounting Hole Quantity	2
Open Cavities	1
Cavity	T-33A
Port Size	SAE 12
Model Weight	11.58 lb.

**NOTES**

**Important:** Carefully consider the maximum system pressure. The pressure rating of the manifold is dependent on the manifold material, with the port type/size a secondary consideration. Manifolds constructed of aluminum are not rated for pressures higher than 3000 psi (210 bar), regardless of the port type/size specified.

**PORT DESIGNATORS**

Modifiers	Ports
PML	All Ports: SAE 12;

**CONFIGURATION OPTIONS**  
Model Code Example: PML/S

**MODIFIER** \_\_\_\_\_ **(/S)**  
**/S 65-45-12 Ductile Iron, Buna-N, Blackened**  
 6061-T651 Aluminum, Buna-N

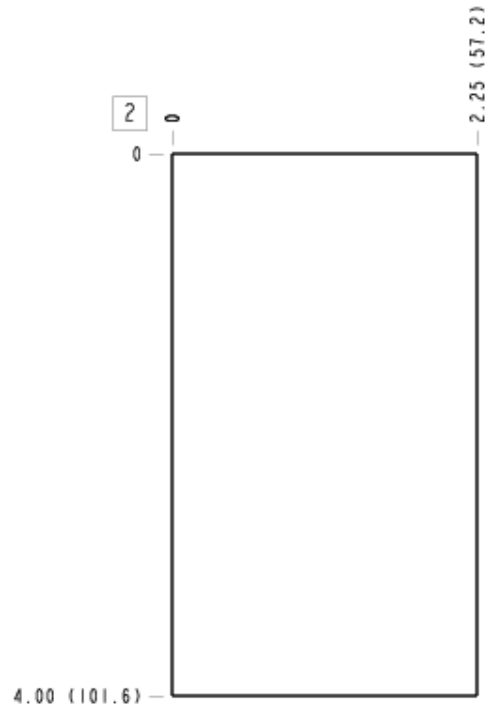
**MANIFOLD FACES**

**FACE GRID**

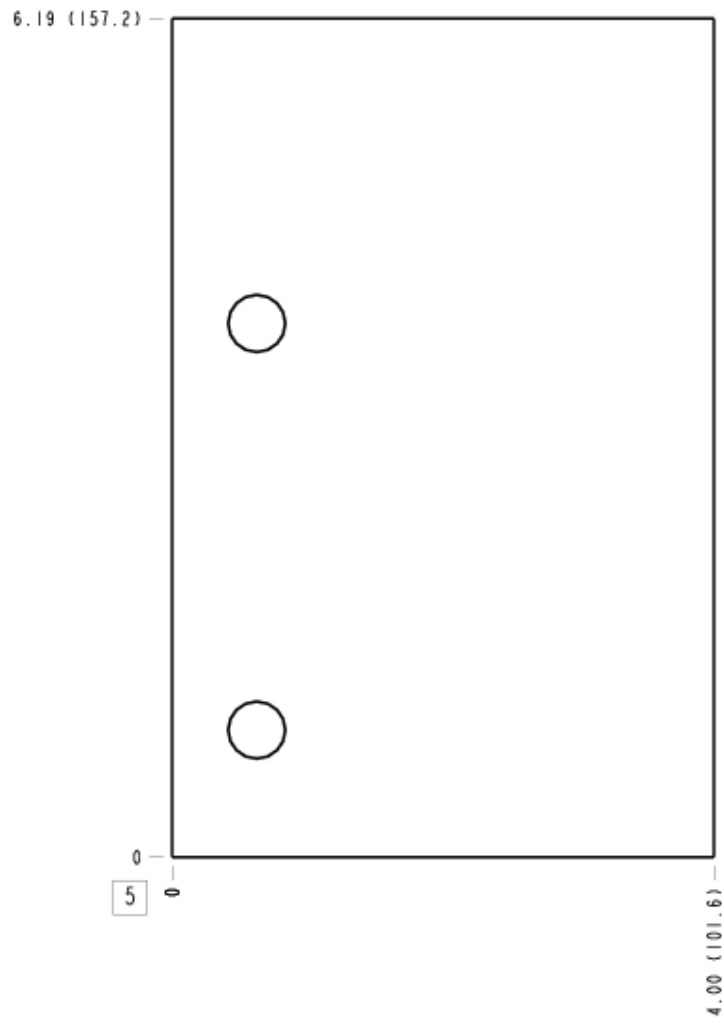


5	6	7	8
9	10	11	12

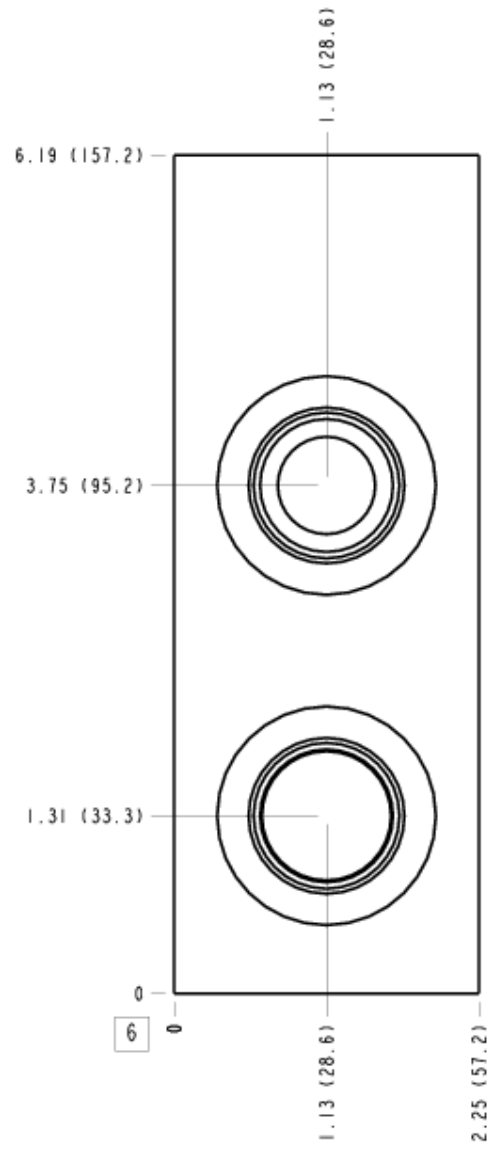
## Face 2



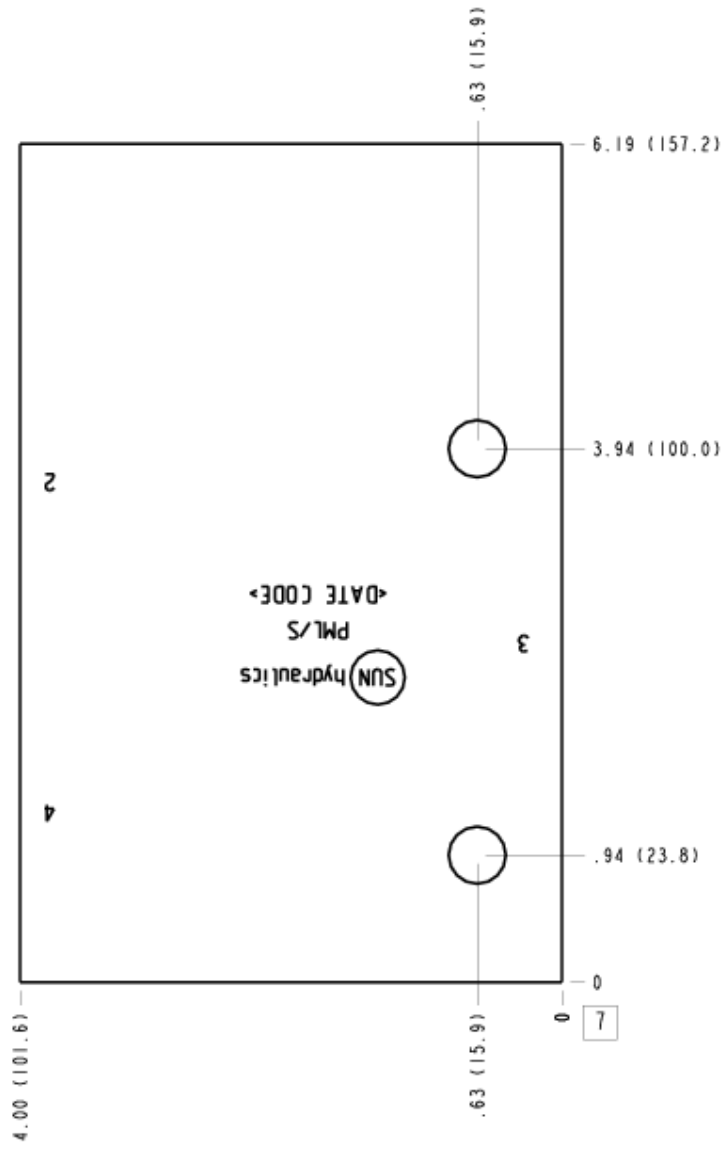
# Face 5



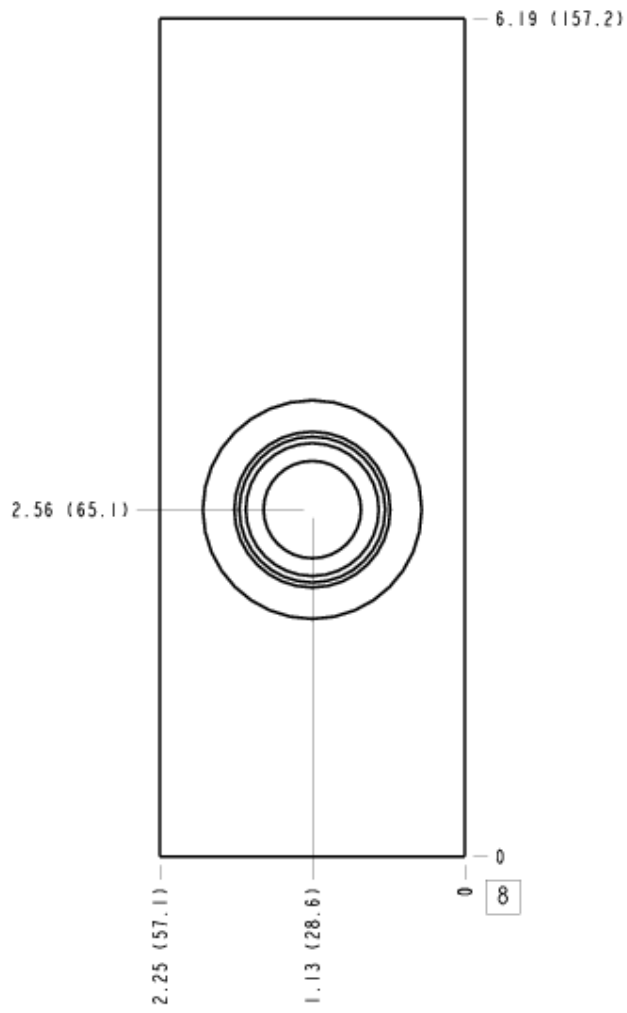
# Face 6



# Face 7



### Face 8



### Face 10

