

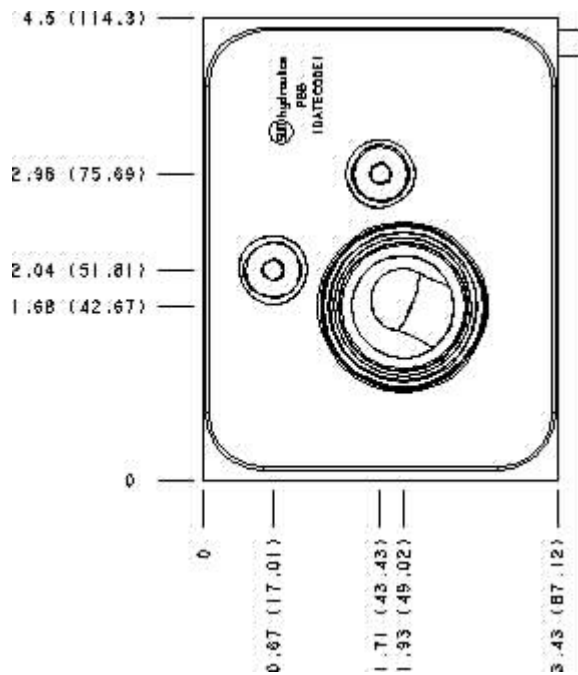
Functional Group:

Model:

Products : Manifolds : Sandwich : Counterbalance : ISO 08 : On B, port 3 to A and port 4 to T

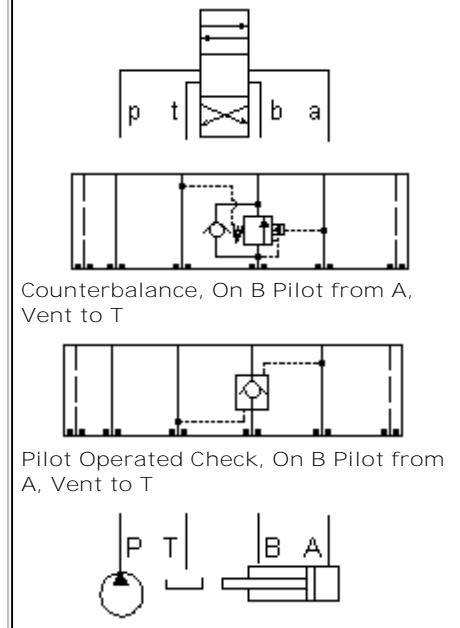
PBB

Face : 7



Cartridge extension measurement is to the centerline of the cartridge.

Function



Aluminum Body Pressure Rating: **3000 psi (210 bar)**

Ductile Iron Body Pressure Rating: **5000 psi (350 bar)**

Technical Data

	U.S. Units	Metric Units
Model Weight	9.95 lb.	4.51 kg.
Cavity	T-23A	
Body Features	On B, port 3 to A and port 4 to T	
Body Type	Sandwich	
Interface	ISO 08	
Open Cavity Quantity	1	
Stack Height	3.44 in.	87 mm

Option Selection:

Model Code

Description

PBB	Aluminum, Buna-N, U.S. Units
PBB/S	Ductile Iron, Buna-N, U.S. Units
PBB/V	Aluminum, Viton, U.S. Units
PBB/Y	Ductile Iron, Viton, U.S. Units

Special Notes :

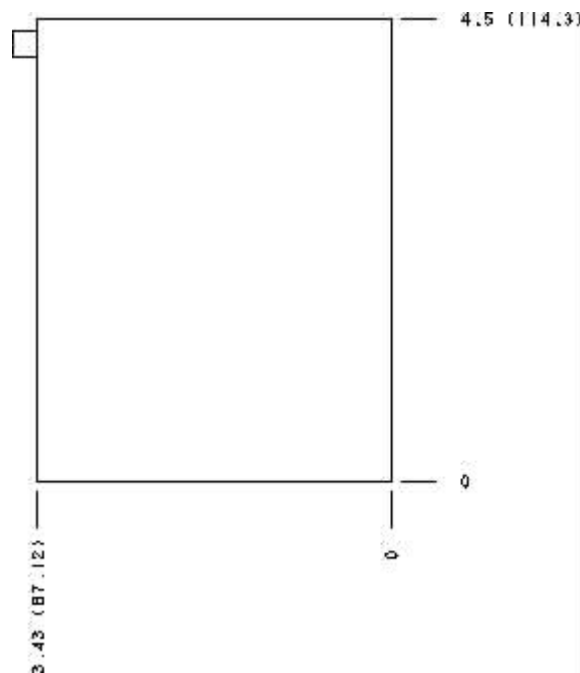
No Special Notes available for selected Model.



Functional Group:
Products : Manifolds : Sandwich : Counterbalance : ISO 08 : On B, port 3 to A
and port 4 to T

Model:
PBB

Face : 5

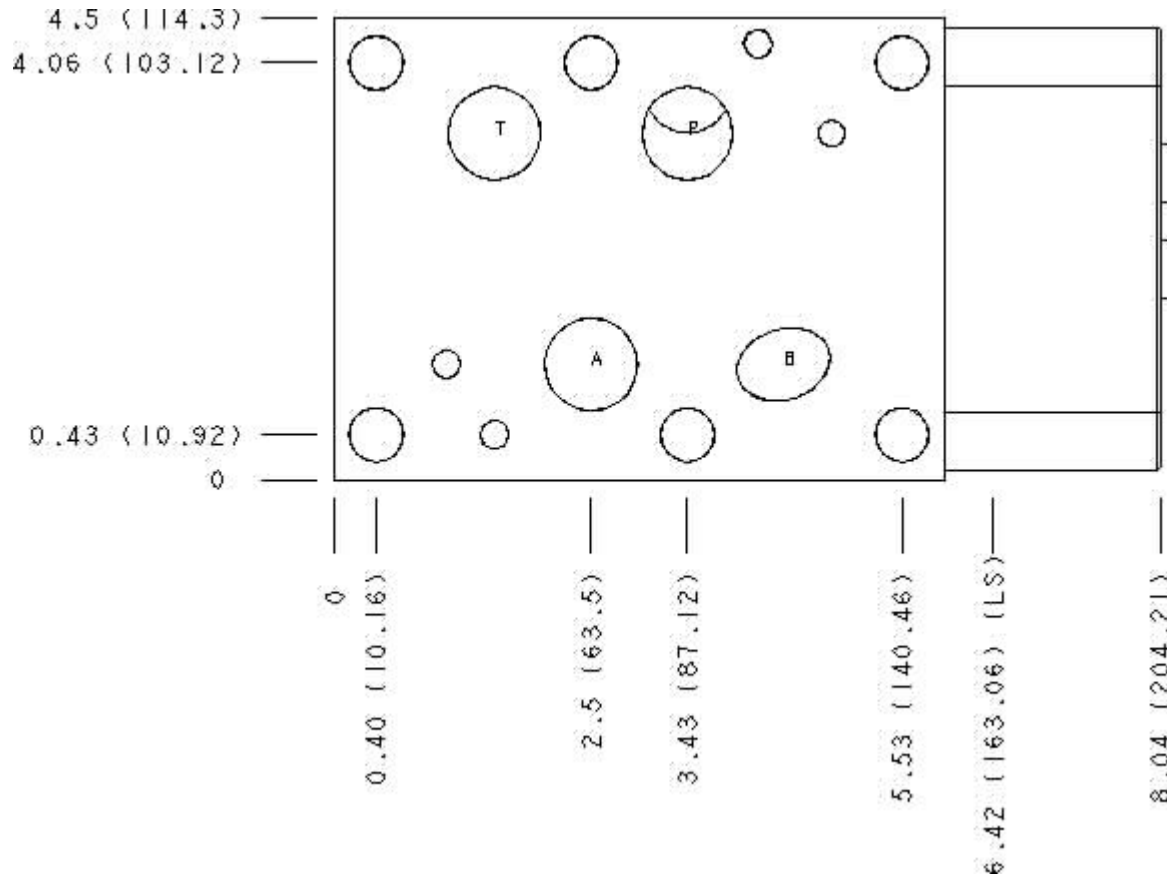


Cartridge extension measurement is to the centerline of the cartridge.



Functional Group:

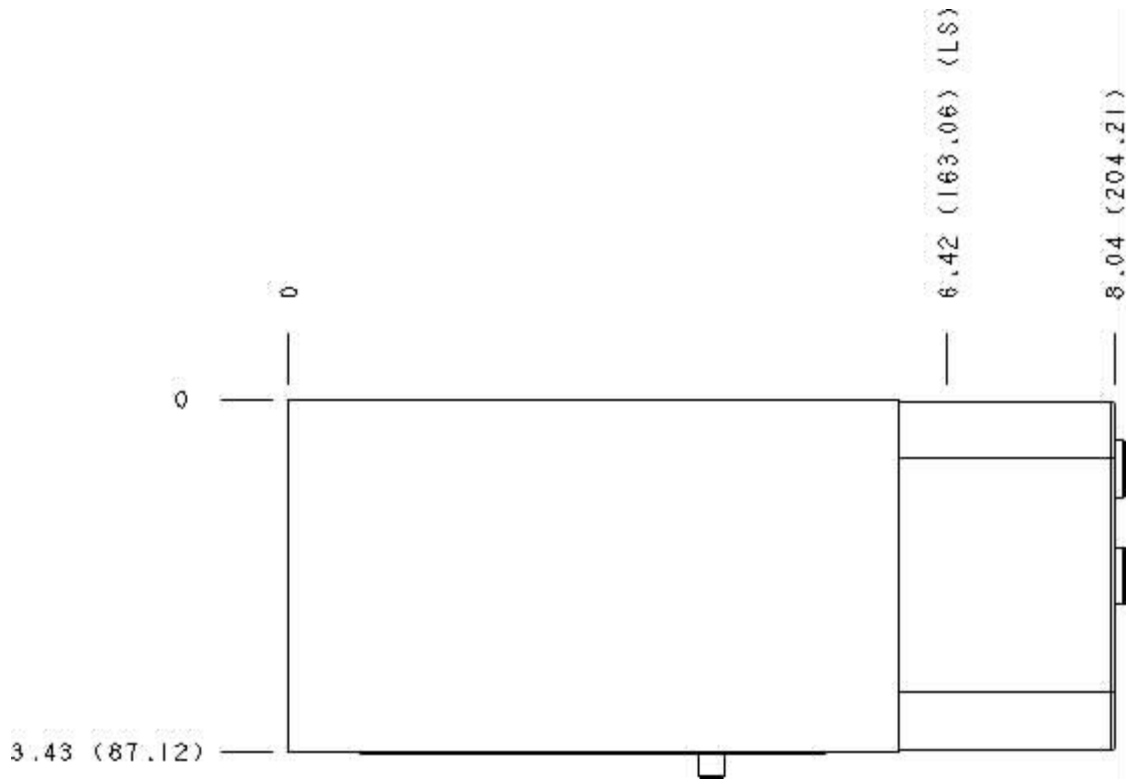
Face : 6



Cartridge extension measurement is to the centerline of the cartridge.



Face : 10



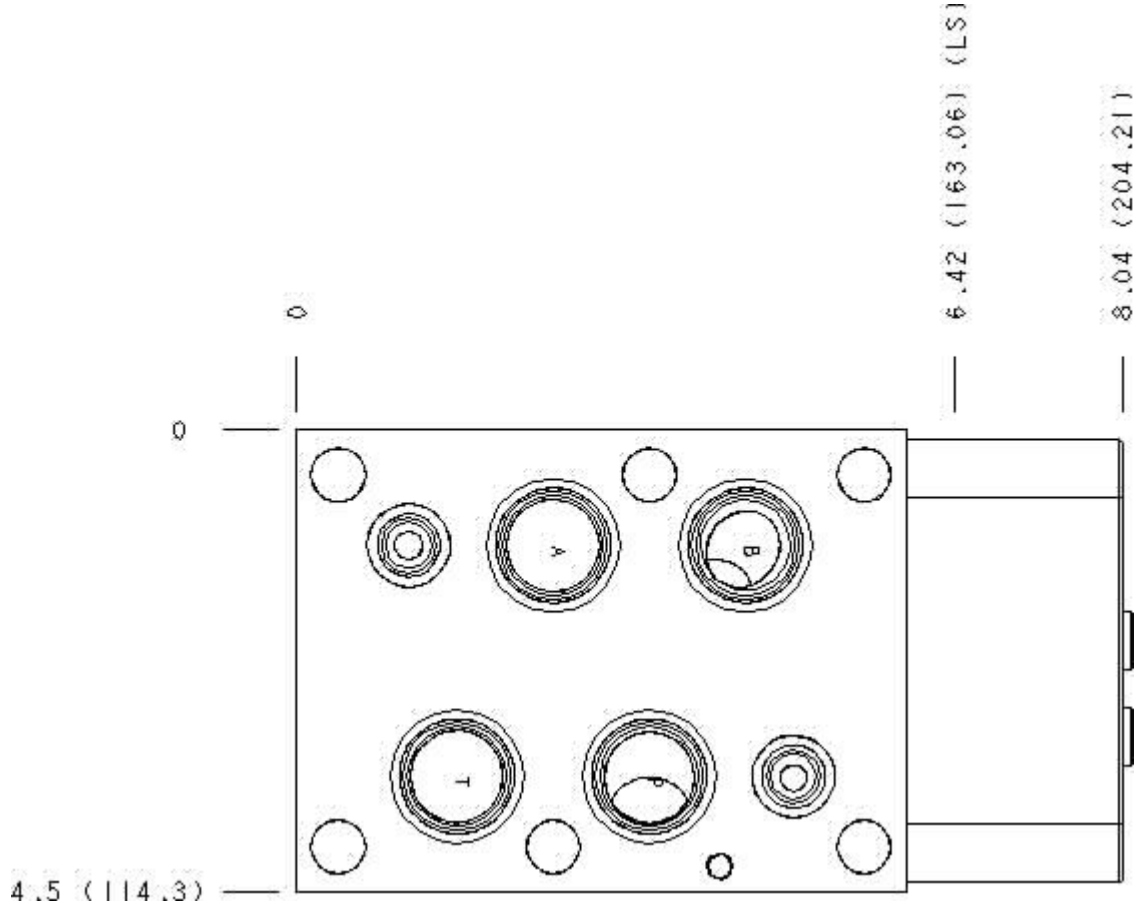
Cartridge extension measurement is to the centerline of the cartridge.



Functional Group:
 Products : Manifolds : Sandwich : Counterbalance : ISO 08 : On B, port 3 to A
 and port 4 to T

Model:
 PBB

Face : 14



Cartridge extension measurement is to the centerline of the cartridge.



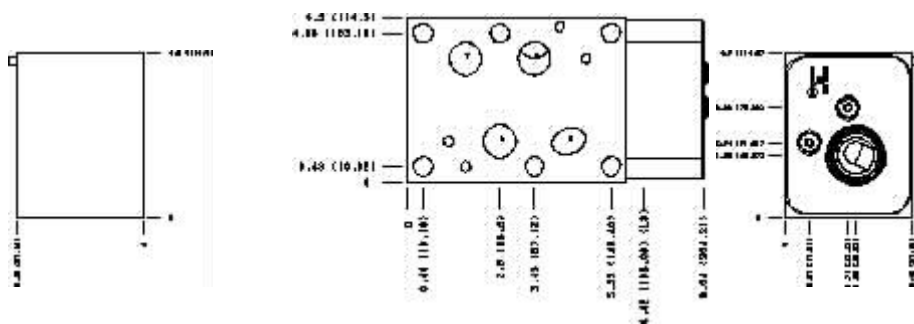
Functional Group:

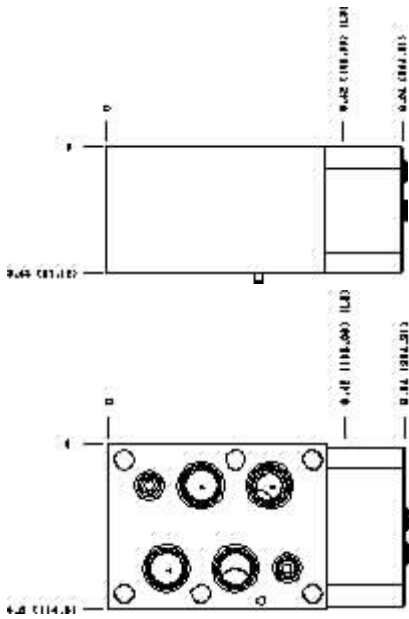
Products : Manifolds : Sandwich : Counterbalance : ISO
 08 : On B, port 3 to A and port 4 to T

Model:
 PBB

Projection Type

All Dimensions in Inches(mm)





Copyright © 2007-2008 Sun Hydraulics Corporation.
All rights reserved.

[Terms and Conditions](#) - [Statement of Privacy](#)