

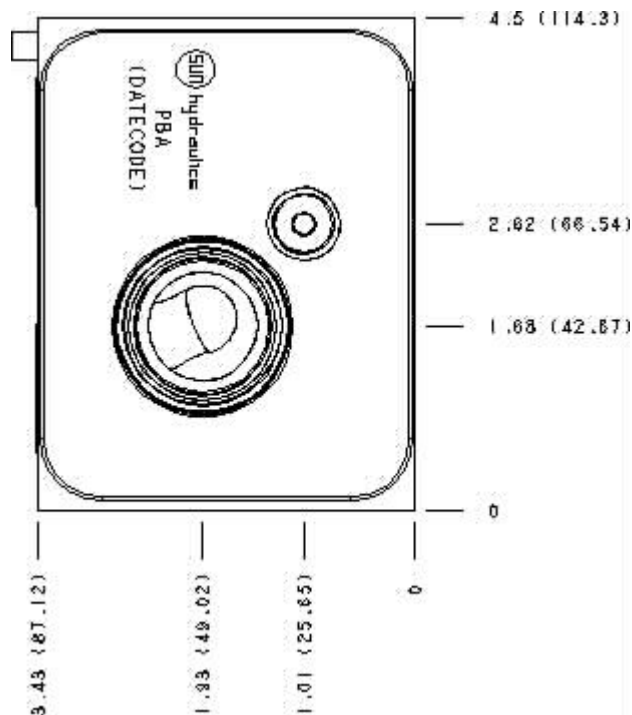
Functional Group:

Model:

Products : Manifolds : Sandwich : Counterbalance : ISO 08 : On A, port 3 to B and port 4 to T

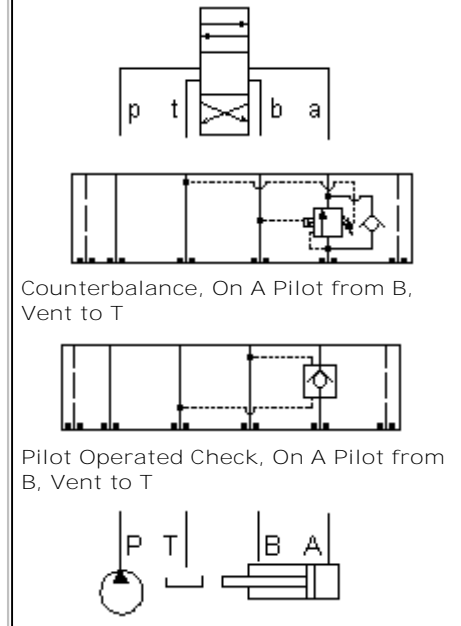
PBA

Face : 5



Cartridge extension measurement is to the centerline of the cartridge.

Function



Aluminum Body Pressure Rating: **3000 psi (210 bar)**

Ductile Iron Body Pressure Rating: **5000 psi (350 bar)**

Technical Data

| | U.S. Units | Metric Units |
|-----------------------------|-----------------------------------|--------------|
| Model Weight | 8.69 lb. | 3.94 kg. |
| Cavity | T-23A | |
| Body Features | On A, port 3 to B and port 4 to T | |
| Body Type | Sandwich | |
| Interface | ISO 08 | |
| Open Cavity Quantity | 1 | |
| Stack Height | 3.44 in. | 87 mm |

Option Selection:

| Model Code | Description |
|------------|-------------------------------------|
| PBA | Aluminum, Buna-N, U.S. Units |
| PBA/S | Ductile Iron, Buna-N, U.S. Units |
| PBA/V | Aluminum, Viton, U.S. Units |
| PBA/Y | Ductile Iron, Viton, U.S. Units |

Special Notes :

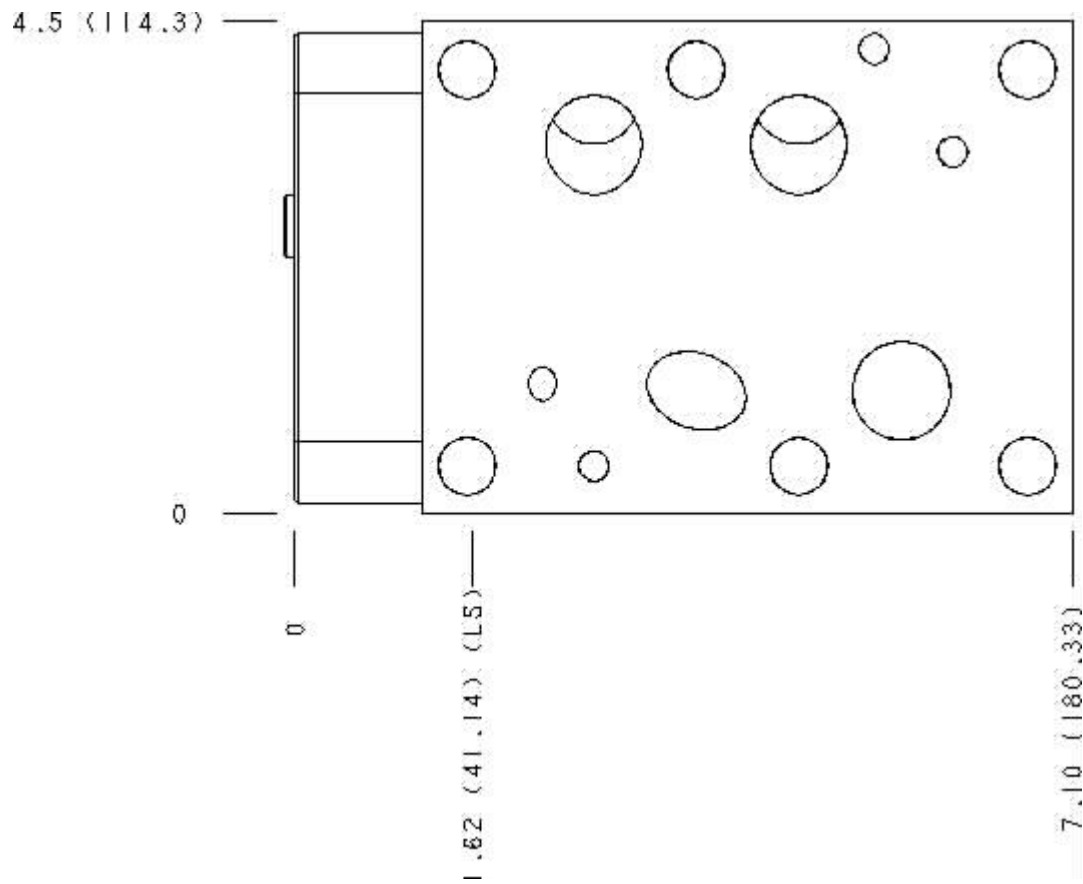
No Special Notes available for selected Model.



Functional Group:
 Products : Manifolds : Sandwich : Counterbalance : ISO 08 : On A, port 3 to B
 and port 4 to T

Model:
 PBA

Face : 6

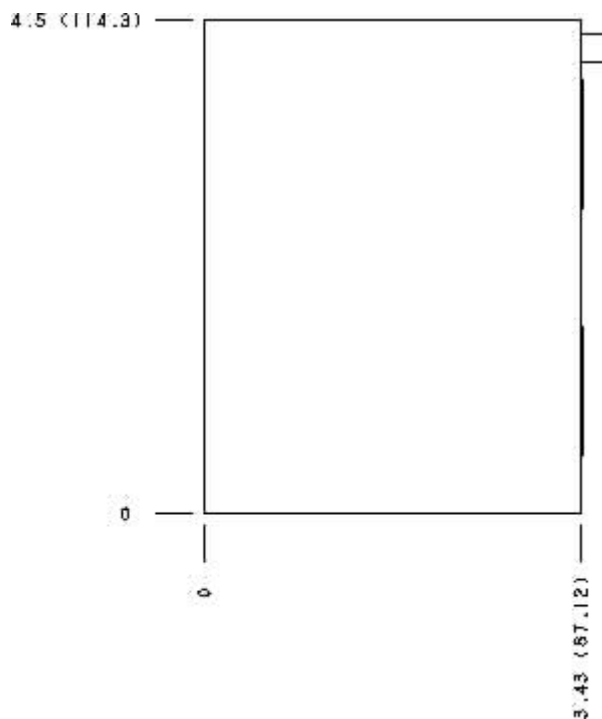


Cartridge extension measurement is to the centerline of the cartridge.

Functional Group:
Products : Manifolds : Sandwich : Counterbalance : ISO 08 : On A, port 3 to B
and port 4 to T

Model:
PBA

Face : 7

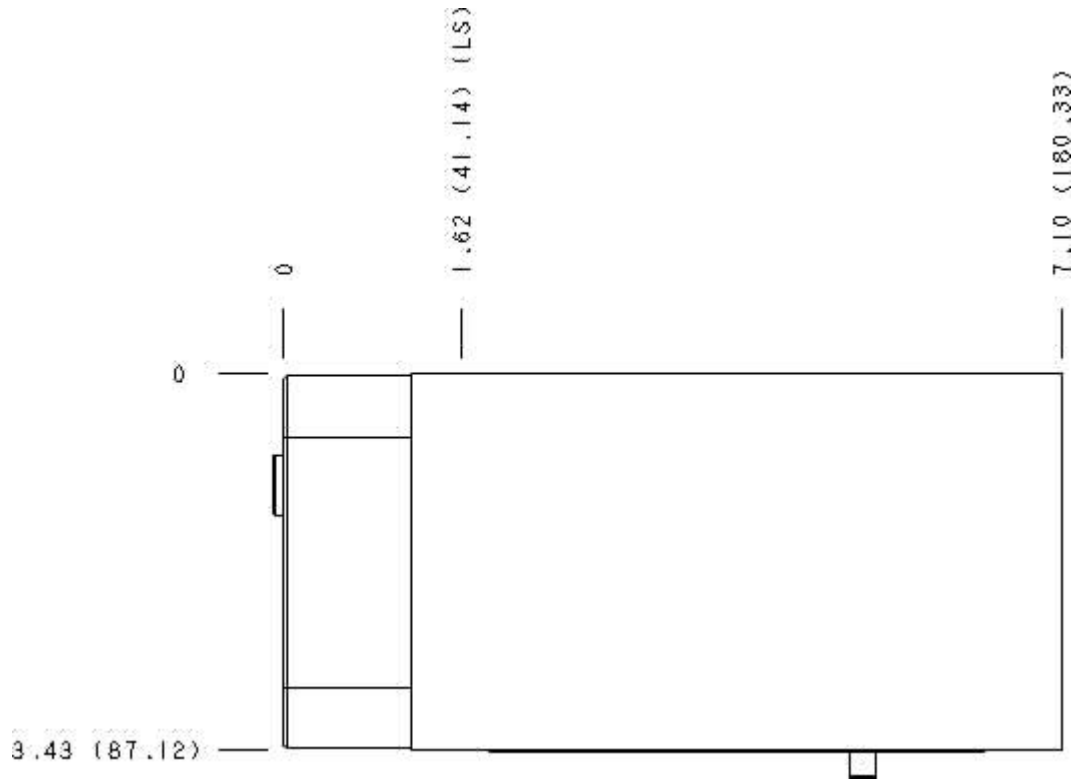


Cartridge extension measurement is to the centerline of the cartridge.

Functional Group:
Products : Manifolds : Sandwich : Counterbalance : ISO 08 : On A, port 3 to B
and port 4 to T

Model:
PBA

Face : 10



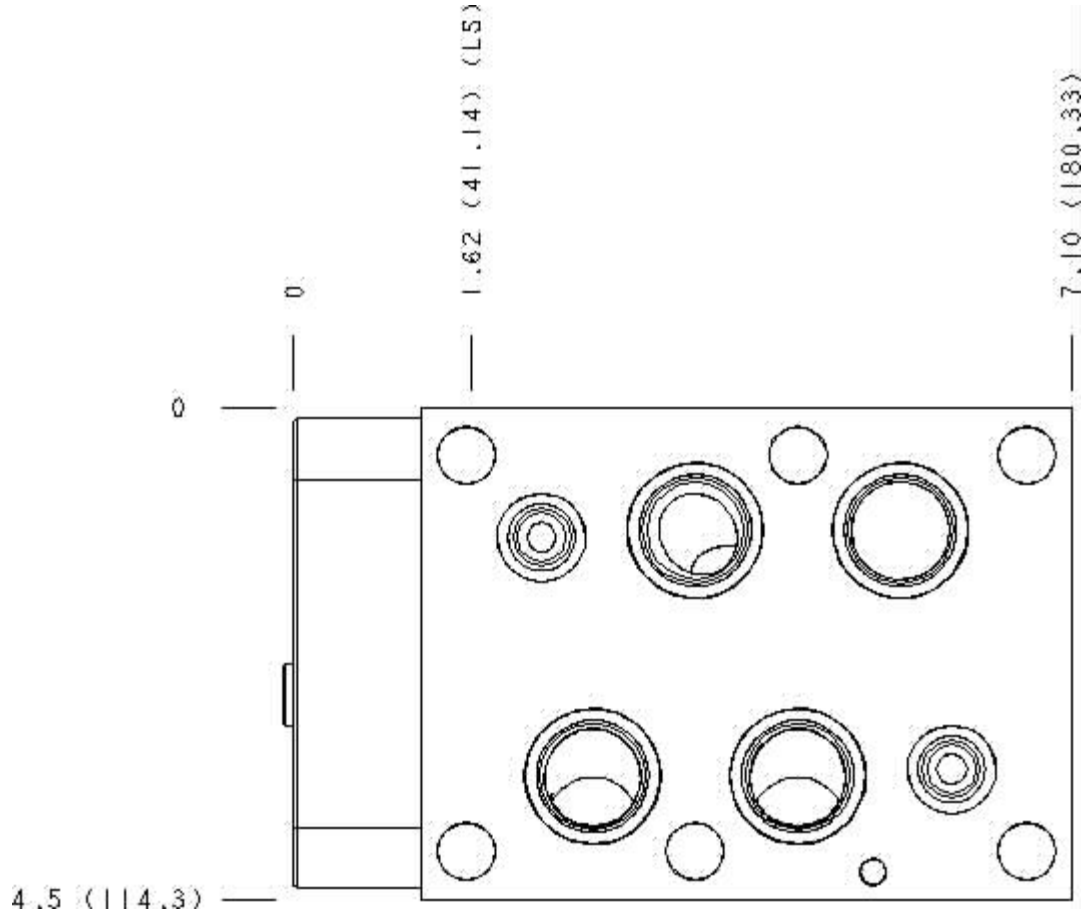
Cartridge extension measurement is to the centerline of the cartridge.



Functional Group:
 Products : Manifolds : Sandwich : Counterbalance : ISO 08 : On A, port 3 to B
 and port 4 to T

Model:
 PBA

Face : 14



Cartridge extension measurement is to the centerline of the cartridge.



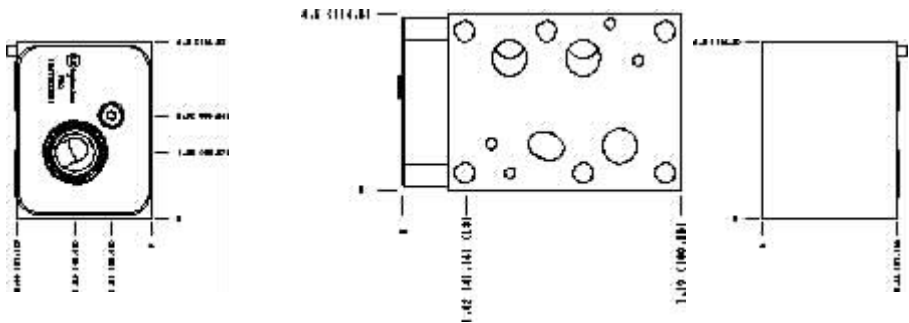
Functional Group:

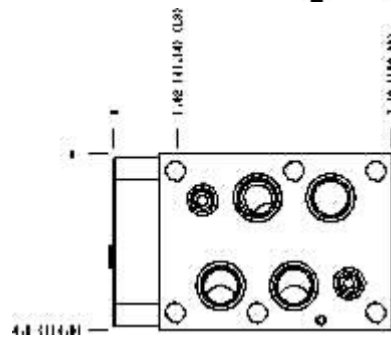
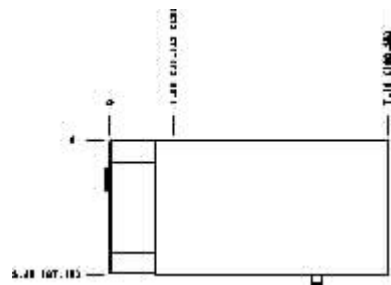
Products : Manifolds : Sandwich : Counterbalance : ISO
 08 : On A, port 3 to B and port 4 to T

Model:
 PBA

Projection Type

All Dimensions in Inches(mm)





Copyright © 2007-2008 Sun Hydraulics Corporation.
All rights reserved.

[Terms and Conditions](#) - [Statement of Privacy](#)