



# NEW T.R.A.P.™ Breather Part Number P564669

Eliminates Water & Dirt from Hydraulic Reservoirs Faster Than Silica Gel Breathers!



## Features and Benefits

- Patented Media**  
 Reduces dewpoint temperatures to prevent condensation inside tanks and reservoirs to help prevent corrosion, maintain fluid quality, and extend fluid life.
- Highly Efficient**  
 Stops particle sizes down to 3µm @ 97%.
- Easy To Install**  
 Lightweight....simply hand tighten.
- Reversible Flow**  
 Reversible flow through media allows moisture to exit the tank or reservoir.
- Rugged Design**  
 Effective to -40°F. Robust housing protects media. Because it withstands high vibration, T.R.A.P. is suitable for both stationary and mobile applications.
- Visual Indicator**  
 Actuated by pressure differential, flashes red to indicate change out is needed. Indicator setting, 1 PSID

- Rated Airflow: 75 SCFM Max.
- Operating temperature range -40°F to +150°F / -40°C to 66°C

**NEW!** Donaldson Breathers with Thermally Reactive Advanced Protection (T.R.A.P.) provide fast-acting protection for hydraulic reservoirs against airborne moisture and particulate contamination.

Patented Donaldson T.R.A.P. technology eliminates moisture condensation in hydraulic system reservoirs. Moisture is prevented from entering and is actually “pumped” out with each flow cycle.

*For more detailed specifications see page 191.*

## Spin-On Breather Filters

| Donaldson Part No. | Use with Adapter   | Micron Rating  | Length (in./mm) | Diameter (in./mm) | Flow (scfm/gpm) |
|--------------------|--------------------|----------------|-----------------|-------------------|-----------------|
| P564424            | P562627 or P562628 | 10 micron nom. | 3.6/91          | 3.7/94            | 15/112          |
| P556005            | P562627 or P562628 | 10 micron nom. | 5.4/137         | 3.7/94            | 23/172          |
| P562198            | P173544            | 10 micron nom. | 5.4/137         | 3.7/94            | 23/172          |
| P565069            | P173544            | 10 micron nom. | 7.9/200         | 3.7/94            | 28/216          |
| P560693            | P173544            | 10 micron abs. | 5.4/137         | 3.7/94            | 23/172          |
| P564357            | P173544            | 5 micron abs.  | 7.9/200         | 3.7/94            | 28/216          |
| P179089            | P173544            | 10 micron abs. | 7.9/200         | 3.7/94            | 28/216          |
| P169430            | P173545            | 3 micron abs.  | 6.7/170         | 5.0/127           | 35/262          |
| P167832            | P173545            | 3 micron abs.  | 10.7/272        | 5.0/127           | 42/314          |
| P550386            | P173545            | 3 micron nom.  | 6.7/170         | 5.0/127           | 35/262          |
| P550250            | P173545            | 3 micron nom.  | 10.7/272        | 5.0/127           | 42/314          |
| P167162            | P173545            | 5 micron abs.  | 6.7/170         | 5.0/127           | 59/440          |
| P165762            | P173545            | 5 micron abs.  | 10.7/272        | 5.0/127           | 64/479          |
| P550388            | P173545            | 10 micron nom. | 6.7/170         | 5.0/127           | 59/440          |
| P550251            | P173545            | 10 micron nom. | 10.7/272        | 5.0/127           | 64/479          |
| P165875            | P173545            | 10 micron abs. | 6.7/170         | 5.0/127           | 59/440          |
| P165876            | P173545            | 10 micron abs. | 10.7/272        | 5.0/127           | 64/479          |

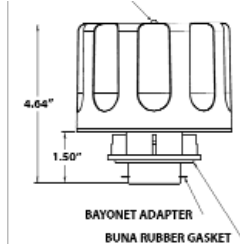
# T.R.A.P.™ Breather Specifications

New breather technology eliminates moisture and dirt from hydraulic reservoirs

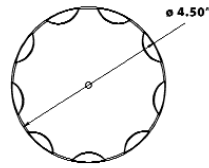


## P565616 P566156 (no indicator version)

Available with or without electronic indicator

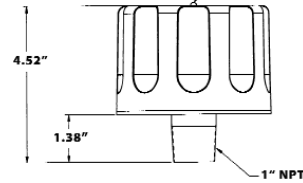


### Top View

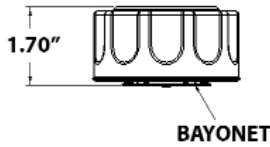


## P564669 P566151 (no indicator version)

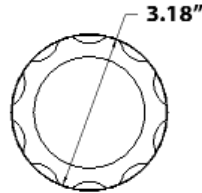
Available with or without electronic indicator



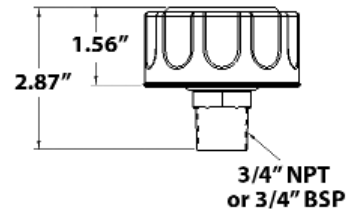
## P565858



### Top View



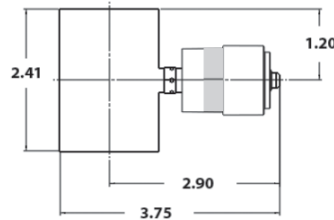
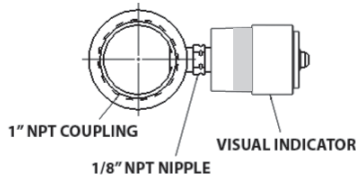
## P565857 (3/4" NPT version) P566037 (3/4" BSP version)



## Mechanical Indicator Kit P566168

Suitable for use with P566151 and P565857\*

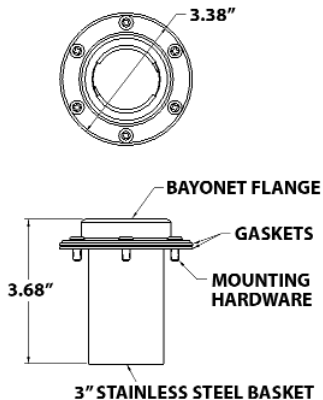
\*Requires additional 3/4" x 1" reducer bushing (supplied by customer)



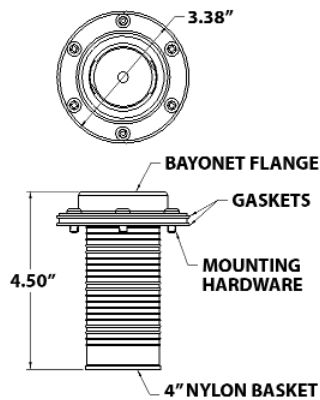
## Bayonet Style Filler Basket/Flange Kits

Use with any bayonet style T.R.A.P. Breather

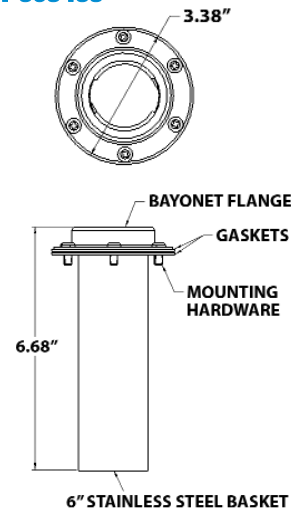
### P566321



### P563874



### P563453



Donaldson®

## Technical Features

- **Particulate Filter**

Highly efficient pleated particulate filter stops particle sizes down to 3  $\mu\text{m}$  at 97%.

- **Operating Temperature Range**

-40°F to +200°F / -40°C to 66°C

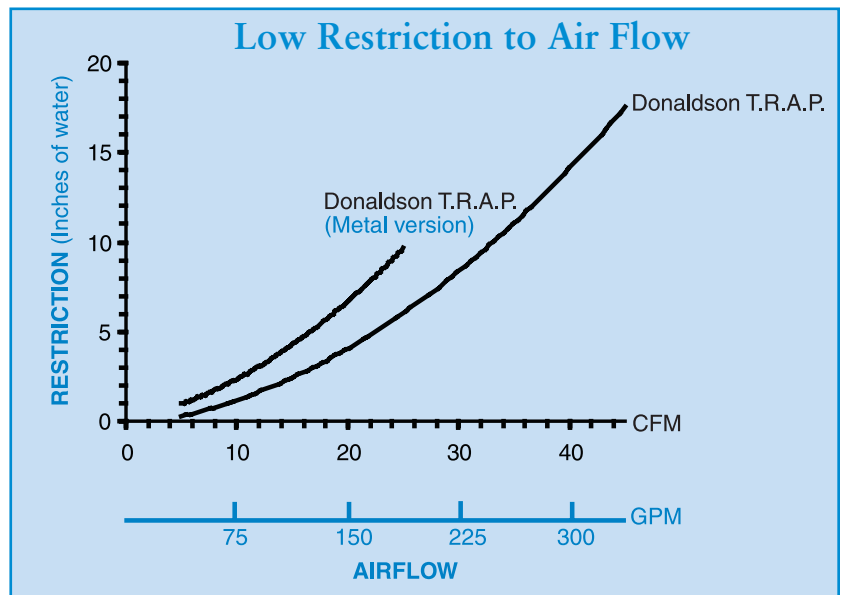
- **Electronic Indicator**

Actuated by pressure differential, flashes red to indicate change out is needed. Indicator setting, 1 PSID.

Indicator power source:  
3V lithium battery CR2032

- **Mechanical Indicator Kit**

Install kit between reservoir and T.R.A.P. breather. Lock-up style indicator with manual reset. Highly visible, bright red band shows when restriction limit is reached. Indicator setting, 20" H<sub>2</sub>O.



Apply T.R.A.P. based on fluid exchange rate, not reservoir size.

## T.R.A.P. Breather... Moisture meets its match.

| Part Number | Construction       | Connection | Airflow     | Indicator*          |
|-------------|--------------------|------------|-------------|---------------------|
| P566151     | Glass-filled ABS   | 1" NPT     | 45 CFM Max. | Optional mechanical |
| P566156     | Glass-filled ABS   | Bayonet    | 45 CFM Max. | No                  |
| P564669     | Glass-filled ABS   | 1" NPT     | 45 CFM Max. | Electronic          |
| P565616     | Glass-filled ABS   | Bayonet    | 45 CFM Max. | Electronic          |
| P565857     | Epoxy Coated Steel | 3/4" NPT   | 25 CFM Max. | Optional mechanical |
| P565858     | Epoxy Coated Steel | Bayonet    | 25 CFM Max. | No                  |
| P566037     | Epoxy Coated Steel | 3/4" BSP   | 25 CFM Max. | No                  |

\*In environments with combustible dusts or fuel vapors, use non-electrical indicator T.R.A.P. models only.

*Suggested service interval for models without indicator is 6 months.*



Donaldson Company, Inc.  
Industrial Hydraulics  
P.O. Box 1299  
Minneapolis, MN  
55440-1299 U.S.A.

Tel 800.846.1846 (USA)  
Fax 952.703.4652  
hydraulicfilters@mail.donaldson.com  
www.donaldson.com

Information in this document is subject to change without notice.

© 2007 Donaldson Co., Inc.  
Printed in U.S.A. on recycled paper

Brochure No. HYD-211