

TT15/30/60 Spin-On Tank Top Return Filters

Working Pressures to: 100 *psi*
690 kPa
6.9 bar

Flow Range to: 50 *gpm*
190 *l/min*

Features

TT15/30/60 Tank Top filters are designed for industrial service. Aluminum casting and Buna-N seals standard. For use with mineral and synthetic based fluids

These return filters conveniently mount to tank tops with four screws. Common holes are used to mount the filter head to the reservoir without welding. A down pipe is attached to a threaded port and the gasket surface provides a watertight seal. Each element provides a new bypass valve and anti-drainback valve for easy element change.



Beta Rating

- Performance to $\beta_{23(c)}=1000$

Porting Sizes

- 3/4" NPT, 1 1/2" NPT

Replacement Filter Lengths

- 5.83" / 148mm **TT15**
- 7.05" / 179mm **TT30**
- 9.29" / 236mm **TT60**

Standard Bypass Ratings

- 22 *psi* / 150 kPa / 1.5 bar

Operating Temperatures

- -22°F to 250°F / -30°C to 121°C

Assembly Weight

- 2.0 lbs **TT15**
- 4.3 lbs **TT30**
- 5.2 lbs **TT60**

TT15/30/60 Components

Element Choices

Media Type	Beta _{23(c)} =1000 Rating	Length (in./mm)	Donaldson Part #	Element Thread
10 Micron Nominal Cellulose	23µm	5.9	P171625	3/4" BSP
10 Micron Nominal Cellulose	23µm	7.05	P550269	1 1/4" BSP
10 Micron Nominal Cellulose	23µm	9.29	P171640	1 1/4" BSP

Head Choices for TT15/30/60

Port Size	Bypass Rating*	Gauge Ports (drill, tap, plug)	Gauge Port Location	DCI Part No.	Description
3/4" NPT	22 psi / 150 kPa / 1.5 bar	(2) 1/8" NPT	upstream side	P564038	TT15 Series
1 1/2" NPT	22 psi / 150 kPa / 1.5 bar	(2) 1/8" NPT	upstream side	P563973	TT30/60 Series

Note

* Bypass valve is integral part of replacement filter

Optional Filter Service Indicators

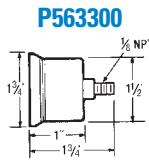
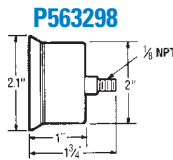
Donaldson Part No.	Pressure Range	Use With Series	Type
P563300	0 to 30 psi	TT15/30/60	Return indicator, color-coded
P563978	5 to 30 psi field adj.*	TT15/30/60	Return indicator, electrical
P563298	0 to 100 psi	TT15/30/60	Return indicator, color-coded

Notes

* NOT PRESET: Setting adjustable for desired application

1/8" - 27 NPT threads

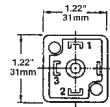
- Built in snubber to minimize damage caused by pressure surges
- Compatible with petroleum and mineral-based fluids
- Anti-splash



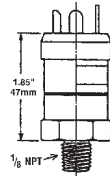
Instructions

1. Remove DIN adaptor
2. Remove small brass screw
3. Using 1/8" allen wrench adjust clockwise to increase set point/counter-clockwise to decrease set point
4. NO / NC

- #1 Common
- #2 Normally Closed
- #3 Normally Open

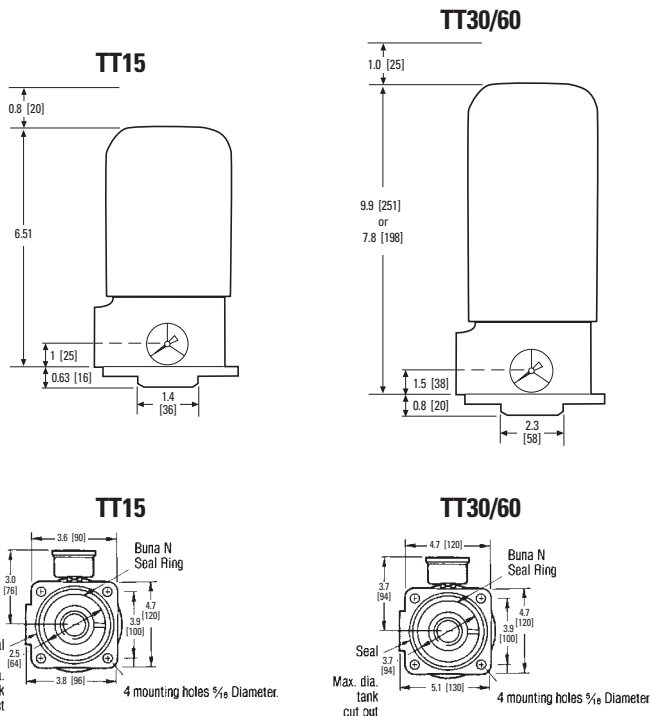


P563978



Adjustment screw located in center of elec. prongs

Assembly - Side View



Head - Top View

All dimensions above are shown in inches [millimeters]

Performance Data

For a full explanation of how our performance curves were derived, see page 150.

