

# Filler Breathers



## Description:

High impact technopolymer  
 Temperature range  
 -22°F to +240°F / -30°C to +115 °C  
 2.75" diameter cap  
 Available with bayonet or threaded flange  
 Airflow to 30 CFM  
 Compatible with petroleum and  
 water based fluids  
 30 mesh technopolymer basket

**Options:** Dipstick  
 3", 6" and 8" stainless steel baskets

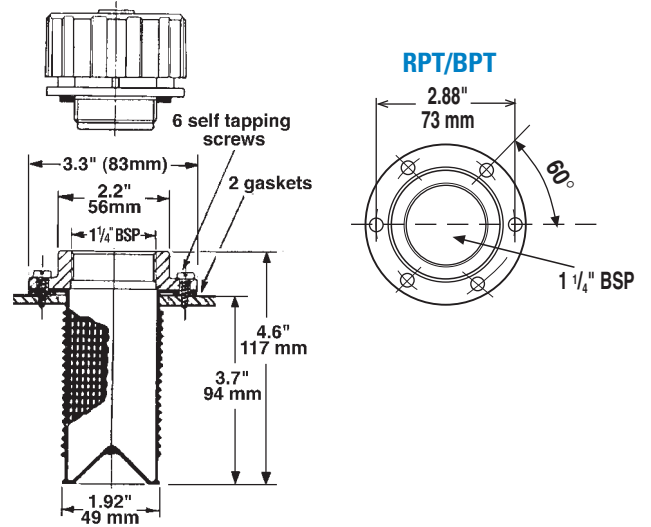
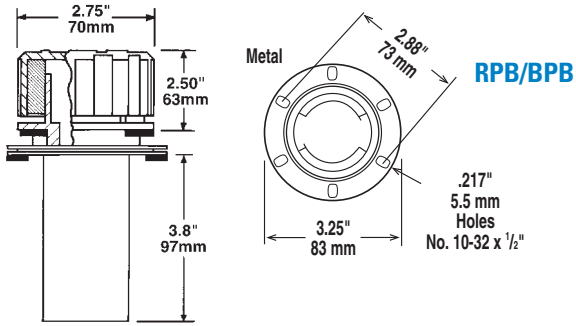


## Bayonet Style (RPB) (BPB)

Donaldson Part No.	Description	Feature	Micron Rating	Airflow Capacity (CFM)	Relief Valve Setting (psi)	Finish
P562552	RPB-10-5-N	NYLON BASKET	10	30	5	Black Technopolymer
P562553	RPB-10-5-N-D-TAD	NYLON BASKET, DIPSTICK	10	30	5	Black Technopolymer
P562554	RPB-40-5-3S	3" STAINLESS BASKET	40	30	5	Black Technopolymer
P562555	RPB-40-5-6S	6" STAINLESS BASKET	40	30	5	Black Technopolymer
P562556	RPB-40-5-N	NYLON BASKET	40	30	5	Black Technopolymer
P562534	BPB-10-A CAP ONLY	BREATHING CAP	10	30	N/A	Black Technopolymer
P562535	BPB-10-N	BREATHING	10	30	N/A	Black Technopolymer
P562536	BPB-10-N-A	BREATHING	10	30	N/A	Black Technopolymer
P563813	BPB-40 CAP ONLY	BREATHING CAP	40	30	N/A	Black Technopolymer
P562537	BPB-40-3S	BREATHING W/3" STEEL BASKET	40	30	N/A	Black Technopolymer
P562538	BPB-40-3S-A	BREATHING	40	30	N/A	Black Technopolymer
P562539	BPB-40-6S-D	FILLER BREATHING W/DIP STICK	40	30	N/A	Black Technopolymer
P562540	BPB-40-A CAP ONLY	BREATHING CAP	40	30	N/A	Black Technopolymer
P562541	BPB-40-N	BREATHING	40	30	N/A	Black Technopolymer
P562542	BPB-40-N-A	BREATHING	40	30	N/A	Black Technopolymer
P562544	BPB-40-N-SMB	BREATHING W/SIDE MOUNT KIT	40	30	N/A	Black Technopolymer

## Threaded Flange Style (RPT) (BPT)

Donaldson Part No.	Description	Feature	Micron Rating	Airflow Capacity (CFM)	Relief Valve Setting (psi)	Finish
P562557	RPT-40-5-6S	6" STAINLESS BASKET	40	30	5	Black Technopolymer
P562558	RPT-40-5-8S	8" STAINLESS BASKET	40	30	5	Black Technopolymer
P562560	RPT-40-5-N	NYLON BASKET	40	30	5	Black Technopolymer
P562559	RPT-40-5-CAP ONLY	CAP ONLY	40	30	5	Black Technopolymer
P563817	BPT-40-CAP-ONLY	THREADED BREATHING CAP	40	30	N/A	Black Technopolymer
P562548	BPT-40-N	THREADED BREATHING	40	30	N/A	Black Technopolymer

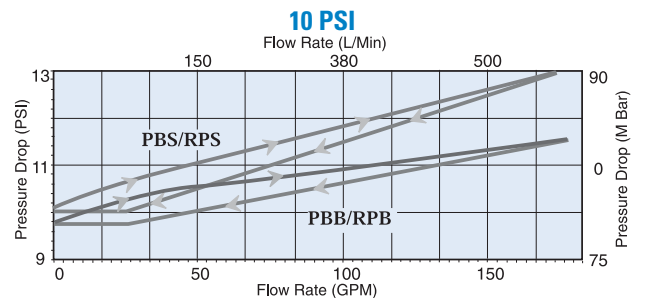
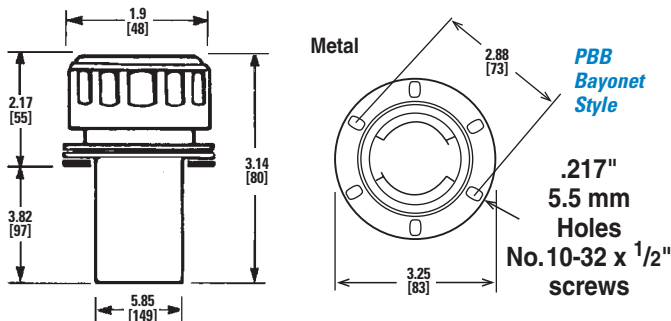
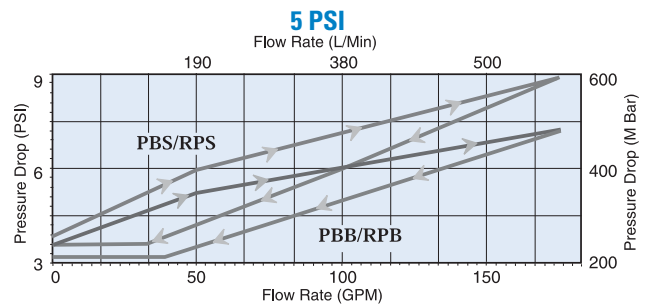


# PBB Series Pressure Filler Breather Cap - Bayonet Style



### Description:

- Chrome plated, epoxy coated or zinc plated steel cap
- Air intake valve opens at 0.435 *psi*
- Compatible with petroleum based fluids
- Temperature range  
-22°F to +240°F / -30°C to 115°C
- Buna gaskets standard
- 10 and 40 micron available
- Relief valve settings at 5 or 10 *psi* full rate flow



Donaldson Part No.	Description	Feature	Micron Rating	Airflow Capacity (CFM) *	Relief Valve Setting (psi)	Finish
P562631	PBB-10-10-6S	6" STAINLESS BASKET	10	30	10	Chrome
P562632	PBB-10-10-N	NYLON BASKET	10	30	10	Chrome
P562633	PBB-10-10-N-LT	NYLON BASKET, LOCK TAB	10	30	10	Chrome
P563862	PBB-10-5	FLANGE, SCREWS & GASKET, NO BASKET	10	30	5	Chrome
P563346	PBB-10-5-3S	3" STAINLESS BASKET	10	30	5	Chrome
P563347	PBB-10-5-6S	6" STAINLESS BASKET	10	30	5	Chrome
P563348	PBB-10-5-N	NYLON BASKET	10	30	5	Chrome
P563349	PBB-10-5-N-LT	NYLON BASKET, LOCK TAB	10	30	5	Chrome
P563350	PBB-40-10-N	NYLON BASKET	40	30	10	Chrome
P563351	PBB-40-5	FLANGE, SCREWS & GASKET, NO BASKET	40	30	5	Chrome
P563352	PBB-40-5-3S	3" STAINLESS BASKET	40	30	5	Chrome
P563353	PBB-40-5-6S	6" STAINLESS BASKET	40	30	5	Chrome
P563354	PBB-40-5-8S	8" STAINLESS BASKET	40	30	5	Chrome
P563863	PBB-40-5-8S-LT-D	8" STAINLESS BASKET, LOCK TAB & DIPSTICK	40	30	5	Chrome
P563355	PBB-40-5-N	NYLON BASKET	40	30	5	Chrome
P563356	PBB-W-10-5-N	NYLON BASKET	10	30	5	Epoxy Coated, Black
P563357	PBB-W-10-5-N-LT	NYLON BASKET, LOCK TAB	10	30	5	Epoxy Coated, Black
P563864	PBB-W-40-10-N	NYLON BASKET	40	30	10	Epoxy Coated, Black
P563358	PBB-W-40-5-3S	3" STAINLESS BASKET	40	30	5	Epoxy Coated, Black
P563359	PBB-W-40-5-N	NYLON BASKET	40	30	5	Epoxy Coated, Black
P563360	PBB-Z-10-10-N	NYLON BASKET	10	30	10	Zinc Plated
P563361	PBB-Z-10-5-N	NYLON BASKET	10	30	5	Zinc Plated

# Weld Risers For Filler Breathers

Donaldson Part No.	Description	Length
P562668	WR-5565	1.13"

Steel stamped construction  
Predrilled holes align  
with standard breather  
tank flanges  
Provides for easy installation  
of filler breathers

