

Breathers

Breathers are available in a variety of styles, materials and sizes. Breathers provide clean airflow into reservoirs and other storage containers where there is an exchange of air during changing fluid levels. In high moisture

environments or applications with large changes in machine attitudes, breather caps with pressure relief and vacuum breakers limit air exchange and provide a positive suction head at the pump inlet.

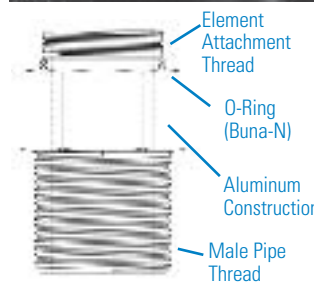
Threaded Adapters for Creating Tank Breathers

Application

Adapting your hydraulic reservoir with a Donaldson breather filter...

- Reduces your parts inventory;
- Improves your filtration to extend equipment life;
- Lengthens filter service intervals.

To create a tank breather, choose either of the two threaded adapters below, then select a breather spin-on filter based on your desired efficiency level, filter dimensions and the maximum rate of reservoir drawdown or air exchange rate. As a rule of thumb, clean pressure drop should be limited to 0.18 *psi* / 5" H₂O.



Installation Tips

A pipe flange, weld collar, or half coupling may be used to connect the breather adapter to the reservoir. Make sure that air cannot leak around the adapter. When mounting on the side of the reservoir, make sure the installation is as high as possible to stay above the surface of the fluid.

Maintenance Tips

Change the filter after each 500 hours of operation. More frequent replacement may be required when operating in heavily contaminated areas such as grinding operations, primary metal mills, and on mobile equipment. Under such conditions, Donaldson recommends replacement every 250 hours.

Donaldson Part No.	LHA Part No.	Male Pipe Thread	Element Attachment Thread	Length (in./mm)	Material
P173544	GBF-15	3/4" NPT	1"-12 UN	2.50/64	Aluminum
P173545	GBF-50/60	1-1/4" NPT	1-1/2"-16 UN	3.00/76	Aluminum
P562627	GBF-10	3/4" NPT	1-1/8"-16 UN	1.65/42	Steel
P562628	ABGBA	Bayonet Fitting	1-1/8"-16 UN	1.36/35	Technopolymer

Direct Replacements for Schroeder Breathers

A replacement for Schroeder part ABF-3/10 is available as a breather+adapter set. For other Schroeder replacements and as an alternative on the ABF-3/10, you may purchase adapters and spin-on filters as separate items.

Schroeder Part No.	Donaldson Spin-On Breather + Adapter Set	Adapter	Spin-On Breather
ABF-3/10	P564425	P562627	P564424
ABF-3/10-F	-	P562628	P564424
MBF-3-M-P20	-	P173545	P550386
MBF-10-M-P20	-	P173545	P550388

Replacement for Schroeder ABF3/10

- P564425 Spin-On Breather & Adapter
- P564424 Spin-On Breather only

Specifications:

- Diameter: 3.69" / 93.7mm
- Height: 3.6" / 91mm
- Threads on adaptor: 3/4-14 NPT





NEW T.R.A.P.™ Breather Part Number P564669

Eliminates Water & Dirt from Hydraulic Reservoirs Faster Than Silica Gel Breathers!



Features and Benefits

- Patented Media**
 Reduces dewpoint temperatures to prevent condensation inside tanks and reservoirs to help prevent corrosion, maintain fluid quality, and extend fluid life.
- Highly Efficient**
 Stops particle sizes down to 3µm @ 97%.
- Easy To Install**
 Lightweight....simply hand tighten.
- Reversible Flow**
 Reversible flow through media allows moisture to exit the tank or reservoir.
- Rugged Design**
 Effective to -40°F. Robust housing protects media. Because it withstands high vibration, T.R.A.P. is suitable for both stationary and mobile applications.
- Visual Indicator**
 Actuated by pressure differential, flashes red to indicate change out is needed. Indicator setting, 1 PSID

- Rated Airflow: 75 SCFM Max.
- Operating temperature range -40°F to +150°F / -40°C to 66°C

NEW! Donaldson Breathers with Thermally Reactive Advanced Protection (T.R.A.P.) provide fast-acting protection for hydraulic reservoirs against airborne moisture and particulate contamination.

Patented Donaldson T.R.A.P. technology eliminates moisture condensation in hydraulic system reservoirs. Moisture is prevented from entering and is actually “pumped” out with each flow cycle.

For more detailed specifications see page 191.

Spin-On Breather Filters

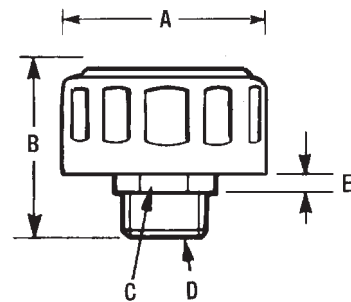
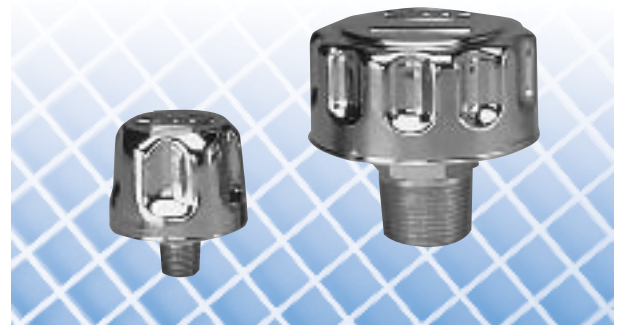
Donaldson Part No.	Use with Adapter	Micron Rating	Length (in./mm)	Diameter (in./mm)	Flow (scfm/gpm)
P564424	P562627 or P562628	10 micron nom.	3.6/91	3.7/94	15/112
P556005	P562627 or P562628	10 micron nom.	5.4/137	3.7/94	23/172
P562198	P173544	10 micron nom.	5.4/137	3.7/94	23/172
P565069	P173544	10 micron nom.	7.9/200	3.7/94	28/216
P560693	P173544	10 micron abs.	5.4/137	3.7/94	23/172
P564357	P173544	5 micron abs.	7.9/200	3.7/94	28/216
P179089	P173544	10 micron abs.	7.9/200	3.7/94	28/216
P169430	P173545	3 micron abs.	6.7/170	5.0/127	35/262
P167832	P173545	3 micron abs.	10.7/272	5.0/127	42/314
P550386	P173545	3 micron nom.	6.7/170	5.0/127	35/262
P550250	P173545	3 micron nom.	10.7/272	5.0/127	42/314
P167162	P173545	5 micron abs.	6.7/170	5.0/127	59/440
P165762	P173545	5 micron abs.	10.7/272	5.0/127	64/479
P550388	P173545	10 micron nom.	6.7/170	5.0/127	59/440
P550251	P173545	10 micron nom.	10.7/272	5.0/127	64/479
P165875	P173545	10 micron abs.	6.7/170	5.0/127	59/440
P165876	P173545	10 micron abs.	10.7/272	5.0/127	64/479

ABS, MBS Series

Description:

Chrome plated, epoxy coated or zinc plated steel cap
 Air flow to 30 CFM
 Compatible with petroleum based fluids
 Temperature to 212°F / 100°C
 1/2", 3/4" and 1" NPT on ABS
 1/4" and 3/8" NPT on MBS

Options: 3, 10 and 40 micron (ABS),
 10 and 40 micron (MBS)
 Dipstick available on some
 ABS models
 Zinc and epoxy coated
 weather-proof cap versions



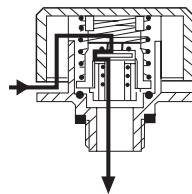
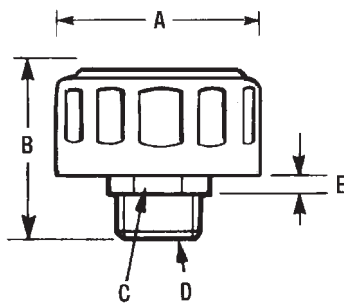
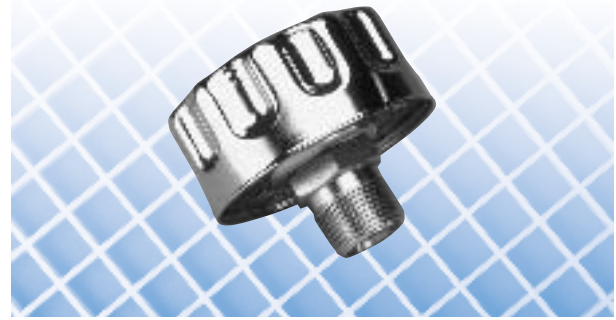
Donaldson Part No.	Description	Micron Rating	Airflow Capacity (CFM) *	A (in./mm)	B (in./mm)	C (in./mm)	D	E (in./mm)	Finish
P562510	MBS-10-N04	10	10	1.85/47	2.0/51	.75/19	1/4" NPT	.2/5	Chrome Plated
P562511	MBS-10-N06	10	10	1.85/47	2.0/51	.75/19	3/8" NPT	.2/5	Chrome Plated
P562512	MBS-40-N04	40	10	1.85/47	2.0/51	.75/19	1/4" NPT	.2/5	Chrome Plated
P562514	MBS-40-N06	40	10	1.85/47	2.0/51	.75/19	3/8" NPT	.2/5	Chrome Plated
P562515	MBS-Z-10-N04	10	10	1.85/47	2.0/51	.75/19	1/4" NPT	.2/5	Zinc Plated
P562516	MBS-Z-10-N06	10	10	1.85/47	2.0/51	.75/19	3/8" NPT	.2/5	Zinc Plated
P562517	ABS-03-N12	3	30	3.15/80	2.8/71	1.18/30	3/4" NPT	.5/13	Chrome Plated
P562518	ABS-10-B12	10	30	3.15/80	2.8/71	1.18/30	3/4" BSP	.5/13	Chrome Plated
P562519	ABS-10-N08	10	30	3.15/80	2.8/71	1.18/30	1/2" NPT	.5/13	Chrome Plated
P562520	ABS-10-N12	10	30	3.15/80	2.8/71	1.18/30	3/4" NPT	.5/13	Chrome Plated
P562521	ABS-10-N16	10	30	3.15/80	2.8/71	1.18/30	1" NPT	.5/13	Chrome Plated
P562522	ABS-40-N08	40	30	3.15/80	2.8/71	1.18/30	1/2" NPT	.5/13	Chrome Plated
P562523	ABS-40-N12	40	30	3.15/80	2.8/71	1.18/30	3/4" NPT	.5/13	Chrome Plated
P562524	ABS-40-N16	40	30	3.15/80	2.8/71	1.18/30	1" NPT	.5/13	Chrome Plated
P562525	ABS-W-03-N12	3	30	3.15/80	2.8/71	1.18/30	3/4" NPT	.5/13	Epoxy Coated Black
P562526	ABS-W-10-N08	10	30	3.15/80	2.8/71	1.18/30	1/2" NPT	.5/13	Epoxy Coated Black
P562527	ABS-W-10-N12	10	30	3.15/80	2.8/71	1.18/30	3/4" NPT	.5/13	Epoxy Coated Black
P562528	ABS-W-10-N16	10	30	3.15/80	2.8/71	1.18/30	1" NPT	.5/13	Epoxy Coated Black
P563901	ABS-W-40-B12	40	30	3.15/80	2.8/71	1.18/30	3/4" BSP	.5/13	Epoxy Coated Black
P563902	ABS-W-40-N08	40	30	3.15/80	2.8/71	1.18/30	1/2" NPT	.5/13	Epoxy Coated Black
P562529	ABS-W-40-N12	40	30	3.15/80	2.8/71	1.18/30	3/4" NPT	.5/13	Epoxy Coated Black
P562530	ABS-W-40-N16	40	30	3.15/80	2.8/71	1.18/30	1" NPT	.5/13	Epoxy Coated Black
P562531	ABS-Z-10-N16	10	30	3.15/80	2.8/71	1.18/30	1" NPT	.5/13	Zinc Plated
P562532	ABS-Z-40-N08	40	30	3.15/80	2.8/71	1.18/30	1/2" NPT	.5/13	Zinc Plated
P562533	ABS-Z-40-N12	40	30	3.15/80	2.8/71	1.18/30	3/4" NPT	.5/13	Zinc Plated



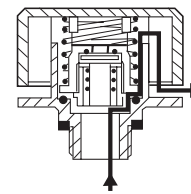
PBS Series Pressure Filler Breather Cap - Screw In Style

Description:

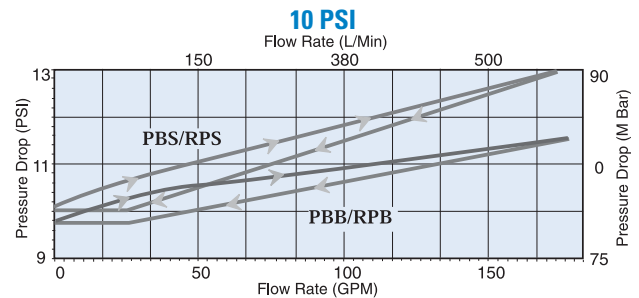
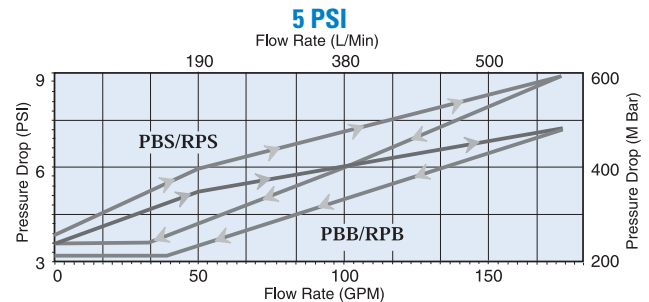
Chrome plated or epoxy coated steel cap
 Air intake valve opens at 0.435 *psi*
 Compatible with petroleum based fluids
 Temperature range
 -22°F to +240°F / -30°C to 115°C
 Buna gaskets standard
 10 and 40 micron available
 Relief valve settings at 5 or 10 *psi*
 full rate flow



Air intake in the reservoir
 through vacuum breaker
 when pressure decreases
 (.435 *psi*)



Venting to atmosphere
 through relief valve to
 maintain a 5 or 10 *psi*
 full rated flow



Donaldson Part No.	Description	Micron Rating	Airflow Capacity (CFM) *	Relief Valve Setting (psi)	Dim. A (in./mm)	Dim. B (in./mm)	Dim. C (in./mm)	Dim. D (in./mm)	Dim. E (in./mm)	Finish
P563362	PBS-10-10-N12	10	30	10	3.15 / 80	2.8 / 71	1.18 / 30	3/4" NPT	.5 / 13	Chrome Plated
P563363	PBS-10-10-N16	10	30	10	3.15 / 80	2.8 / 71	1.18 / 30	1" NPT	.5 / 13	Chrome Plated
P563364	PBS-10-5-B12	10	30	5	3.15 / 80	2.8 / 71	1.18 / 30	3/4" BSP	.5 / 13	Chrome Plated
P563365	PBS-10-5-N12	10	30	5	3.15 / 80	2.8 / 71	1.18 / 30	3/4" NPT	.5 / 13	Chrome Plated
P563366	PBS-10-5-N16	10	30	5	3.15 / 80	2.8 / 71	1.18 / 30	1" NPT	.5 / 13	Chrome Plated
P563367	PBS-40-10-N12	40	30	10	3.15 / 80	2.8 / 71	1.18 / 30	3/4" NPT	.5 / 13	Chrome Plated
P563867	PBS-40-5-B12	40	30	5	3.15 / 80	2.8 / 71	1.18 / 30	3/4" BSP	.5 / 13	Chrome Plated
P563368	PBS-40-5-N12	40	30	5	3.15 / 80	2.8 / 71	1.18 / 30	3/4" NPT	.5 / 13	Chrome Plated
P563369	PBS-40-5-N16	40	30	5	3.15 / 80	2.8 / 71	1.18 / 30	1" NPT	.5 / 13	Chrome Plated
P563370	PBS-W-10-5-N12	10	30	5	3.15 / 80	2.8 / 71	1.18 / 30	3/4" NPT	.5 / 13	Epoxy Coated Black
P563371	PBS-W-40-10-N12	40	30	10	3.15 / 80	2.8 / 71	1.18 / 30	3/4" NPT	.5 / 13	Epoxy Coated Black
P563372	PBS-W-40-5-N12	40	30	5	3.15 / 80	2.8 / 71	1.18 / 30	3/4" NPT	.5 / 13	Epoxy Coated Black

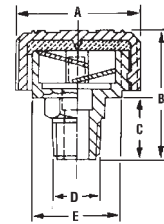
Filler Breather Caps

Description:

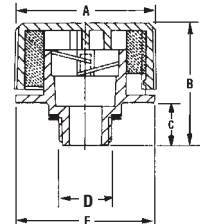
High impact-resistant technopolymer construction
 Cap diameters 1.22", 1.65", 2.25" and 2.75"
 Compatible with petroleum and water based fluids
 Temperature range
 -22°F to +240°F / -30°C to +115°C
 Displacements to 250 GPM without baffle
 Displacements to 144 GPM with anti-splash baffle
 Dipstick option available



CPS / DPS / LPS



BPS / RPS

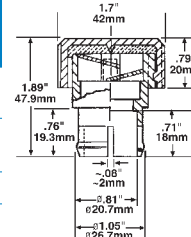


Donaldson Part No.	Description	Micron Rating	Airflow Capacity (CFM) *	Relief Valve Setting (psi)	Dim. A (in./mm)	Dim. B (in./mm)	Dim. C (in./mm)	Dim. D (in./mm)	Dim. E (in./mm)
P562486	LPS-40-N04	40	4.9	n/a	1.22/31	1.18/30	.39/10	1/4" NPT	1.14/29
P562487	LPS-40-N04-A	40	2.1	n/a	1.22/31	1.18/30	.39/10	1/4" NPT	1.14/29
P562494	DPS-40-N04	40	4.9	n/a	1.65/42	2.05/52	.71/18	1/4" NPT	1.2/30
P562495	DPS-40-N04-A	40	2.1	n/a	1.65/42	2.05/52	.71/18	1/4" NPT	1.2/30
P562496	DPS-40-N06	40	11.7	n/a	1.65/42	2.05/52	.71/18	3/8" NPT	1.2/30
P562497	DPS-40-N06-A	40	5	n/a	1.65/42	2.05/52	.71/18	3/8" NPT	1.2/30
P562500	DPS-40-N08-A	40	5.3	n/a	1.65/42	2.05/52	.71/18	1/2" NPT	1.2/30
P562502	DPS-40-N12	40	12.5	n/a	1.65/42	2.05/52	.71/18	3/4" NPT	1.2/30
P562503	DPS-40-N12-A	40	5.4	n/a	1.65/42	2.05/52	.71/18	3/4" NPT	1.2/30
P562483	CPS-40-N12	40	27	n/a	2.24/57	1.85/47	.87/22	3/4" NPT	1.53/39
P562484	CPS-40-N12-A	40	13.5	n/a	2.24/57	1.85/47	.87/22	3/4" NPT	1.53/39
P562479	BPS-10-N12	10	33.4	n/a	2.75/70	2.6/66	1.02/21	3/4" NPT	2.68/68
P562480	BPS-10-N12-A	10	19.3	n/a	2.75/70	2.6/66	1.02/21	3/4" NPT	2.68/68
P562481	BPS-40-N12	40	33.4	n/a	2.75/70	2.6/66	1.02/21	3/4" NPT	2.68/68
P562482	BPS-40-N12-A	40	19.3	n/a	2.75/70	2.6/66	1.02/21	3/4" NPT	2.68/68
P562489	RPS-10-5-N12	10	30	5	2.75/70	2.6/66	1.02/21	3/4" NPT	2.68/68
P562491	RPS-40-2-N12	40	30	2	2.75/70	2.6/66	1.02/21	3/4" NPT	2.68/68
P562492	RPS-40-5-N12	40	30	5	2.75/70	2.6/66	1.02/21	3/4" NPT	2.68/68

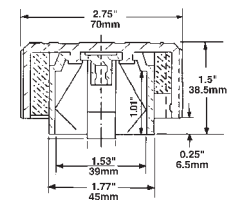
Accessories

Donaldson Part No.	Desc.	Micron Rating	Airflow Capacity (CFM) *	Dim. A (in./mm)	Dim. B (in./mm)	Dim. C (in./mm)	Dim. D (in./mm)	Comment
P562476	ABO-10	10	30	2.75/70	1.5/39	.25/7	1.77/45	Fits over 1.50" OD tube
P562477	ABO-40	40	30	2.75/70	1.5/39	.25/7	1.77/45	Fits over 1.50" OD tube
P562493	DPO-40-A	40	5	1.7/42	1.89/48	.76/19	1.05/27	Fits 1" ID tube

DPO



ABO



Filler Breather Assemblies

Features

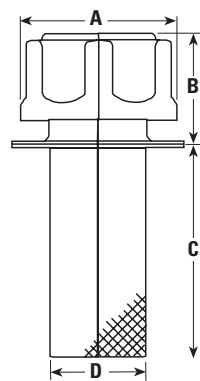
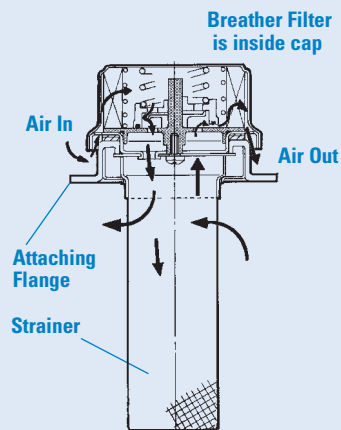
Removable 500µm mesh strainer.
(Except model P171848, which has a non-removable strainer.)

10µm air breather/filter.

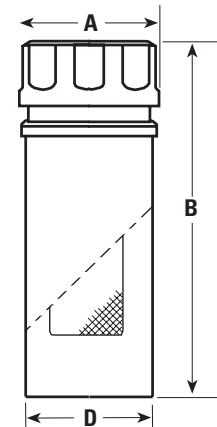
Models P171855 & P171848 include drilled flanges with attaching screws.

How They Work

As fluid levels rise and fall inside the reservoir, air flows in and out through the strainer and breather as shown below. The breather filter inside the cap removes contaminants as small as 10µm from the air to keep airborne contaminant from entering the fluid. The strainer removes large particles from fluid as it is added to the reservoir.



P171848
P171855
P171856



P171859
P171860

Filler Breather Specifications

Part No.	FLANGE SPECIFICATIONS				FILLER BREATHER SPECIFICATIONS				
	Outer Dia. (in./mm)	No. of Holes	Hole Dia. (in./mm)	Bolt Circle	Flow (gpm/lpm)	A (in./mm)	B (in./mm)	C (in./mm)	D (in./mm)
P171848	2.01/51	3	.22/5.5	2.00/51	70/270	1.81/45	1.38/35	2.48/63	1.1/28
P171855	3.31/84	6	.22/5.5	2.88/73	124/470	2.76/70	1.81/46	3.94/100	1.5/38
P171856	3.31/84	n/a	n/a		124/470	2.76/70	1.81/46	3.94/100	1.15/38
P171859		n/a - weldable			124/470	2.76/70	7.09/180	2.50/64	
P171860 *		n/a - weldable			124/470	2.76/70	7.09/180	2.50/64	

* For pressurized reservoirs

Filler Cap Only (Replacement)

P173292 – fits P171855, P171856, P171859

P173364 for pressurized reservoir – fits P171860

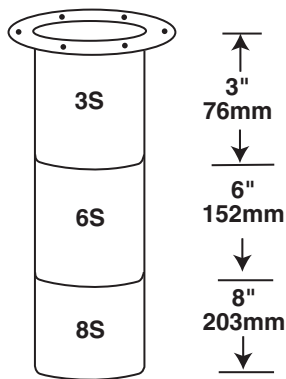
ABB Series Filler Breathers - Bayonet Style

Description:

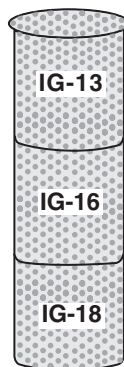
Chrome plated, epoxy coated or zinc plated steel caps
 Air flow to 30 CFM
 Compatible with petroleum based fluids
 30 mesh technopolymer basket
 Self tapping screws for flange mount
 Cork gaskets
 3, 10, or 40 micron



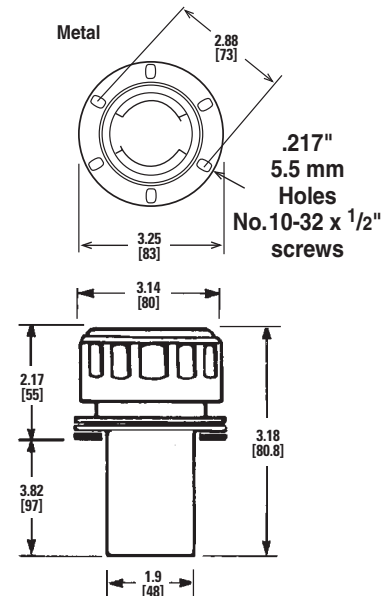
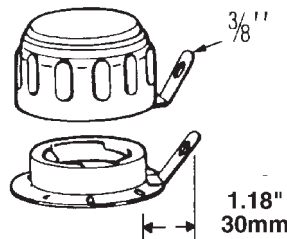
30 MESH STAINLESS STEEL BASKETS



INNER GUARDS



LOCKING TABS (AB ONLY)

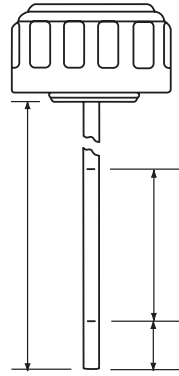
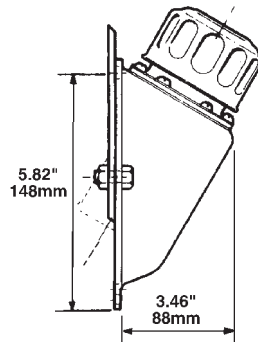


Accessories

Donaldson Part No.	Description	Features	Micron Rating	Airflow Capacity (CFM)	Finish
P562610	ABB-W-03-8S-IG	8" STAINLESS BASKET, INNER GUARD	3	30	Epoxy Coated, Black
P562611	ABB-W-10-3S	3" STAINLESS BASKET	10	30	Epoxy Coated, Black
P562612	ABB-W-10-3S-LT	3" STAINLESS BASKET, LOCK TAB	10	30	Epoxy Coated, Black
P562613	ABB-W-10-3S-R	3" STAINLESS BASKET, BUNA GASKET	10	30	Epoxy Coated, Black
P562614	ABB-W-10-N	NYLON BASKET	10	30	Epoxy Coated, Black
P562615	ABB-W-10-N-LT	NYLON BASKET, LOCK TAB	10	30	Epoxy Coated, Black
P562616	ABB-W-10-N-R	NYLON BASKET, BUNA GASKET	10	30	Epoxy Coated, Black
P562617	ABB-W-10-N-SMB	NYLON BASKET, SIDE MOUNT KIT	10	30	Epoxy Coated, Black
P562618	ABB-W-40-3S	3" STAINLESS BASKET	40	30	Epoxy Coated, Black
P562619	ABB-W-40-6S	6" STAINLESS BASKET	40	30	Epoxy Coated, Black
P562620	ABB-W-40-N	NYLON BASKET	40	30	Epoxy Coated, Black
P562623	ABB-Z-40-3S	3" STAINLESS BASKET	40	30	Zinc Plated
P562624	ABB-Z-40-3S-LT	3" STAINLESS BASKET, LOCK TAB	40	30	Zinc Plated
P562625	ABB-Z-40-N	NYLON BASKET	40	30	Zinc Plated
P562626	ABB-Z-40-N-R	NYLON BASKET, BUNA GASKET	40	30	Zinc Plated

SIDE MOUNT

Can be used with all Bayonet and Threaded Flange Breathers (except MBB & Pressurized Breathers). Maximum torque for fastening 112 in. lbs. with washers.

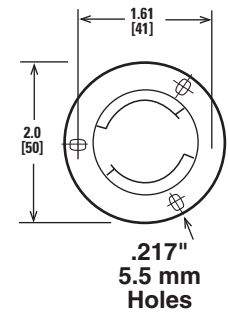
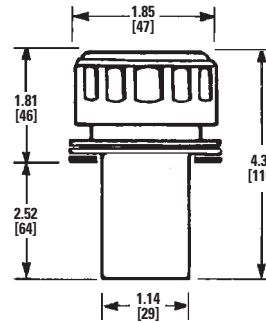


Dipsticks available for some models. See Features section on assembly tables.

Donaldson Part No.	Description	Features	Micron Rating	Airflow Capacity (CFM)	Finish
P562573	ABB-03-N	NYLON BASKET	3	30	Chrome
P562574	ABB-10	FLANGE, SCREWS & GASKET, NO BASKET	10	30	Chrome
P562575	ABB-10-3S	3" STAINLESS BASKET	10	30	Chrome
P562576	ABB-10-3S-LT	3" STAINLESS BASKET, LOCK TAB	10	30	Chrome
P562577	ABB-10-3S-R	3" STAINLESS BASKET, BUNA GASKET	10	30	Chrome
P562578	ABB-10-3S-SMB	3" STAINLESS BASKET, SIDE MOUNT KIT	10	30	Chrome
P562579	ABB-10-6S	6" STAINLESS BASKET	10	30	Chrome
P562580	ABB-10-6S-LT	6" STAINLESS BASKET, LOCK TAB	10	30	Chrome
P562581	ABB-10-6S-R	6" STAINLESS BASKET, BUNA GASKET	10	30	Chrome
P562582	ABB-10-8S	8" STAINLESS BASKET	10	30	Chrome
P562583	ABB-10-8S-D-IG	8" STAINLESS BASKET, DIPSTICK, INNER GUARD	10	30	Chrome
P562584	ABB-10-N	NYLON BASKET	10	30	Chrome
P562585	ABB-10-N-LT	NYLON BASKET, LOCK TAB	10	30	Chrome
P562587	ABB-10-N-R	NYLON BASKET, BUNA GASKET	10	30	Chrome
P562589	ABB-40	FLANGE, SCREWS & GASKET, NO BASKET	40	30	Chrome
P562590	ABB-40-3S	3" STAINLESS BASKET	40	30	Chrome
P562591	ABB-40-3S-LT	3" STAINLESS BASKET, LOCK TAB	40	30	Chrome
P562592	ABB-40-3S-R	3" STAINLESS BASKET, BUNA GASKET	40	30	Chrome
P562593	ABB-40-3S-SMB	3" STAINLESS BASKET, SIDE MOUNT KIT	40	30	Chrome
P562594	ABB-40-6S	6" STAINLESS BASKET	40	30	Chrome
P562595	ABB-40-6S-D	6" STAINLESS BASKET, DIPSTICK	40	30	Chrome
P562596	ABB-40-6S-LT	6" STAINLESS BASKET, LOCK TAB	40	30	Chrome
P562598	ABB-40-8S	8" STAINLESS BASKET	40	30	Chrome
P562599	ABB-40-8S-D	8" STAINLESS BASKET, DIPSTICK	40	30	Chrome
P562600	ABB-40-8S-LT	8" STAINLESS BASKET, LOCK TAB	40	30	Chrome
P562601	ABB-40-CWOF	CAP ONLY	40	30	Chrome
P562602	ABB-40-LT	LOCK TAB, NO BASKET	40	30	Chrome
P562603	ABB-40-N	NYLON BASKET	40	30	Chrome
P562605	ABB-40-N-LT	NYLON BASKET, LOCK TAB	40	30	Chrome
P562608	ABB-40-N-R	NYLON BASKET, BUNA GASKET	40	30	Chrome
P562609	ABB-40-N-SMB	NYLON BASKET, SIDE MOUNT KIT	40	30	Chrome

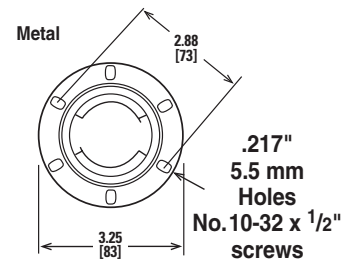
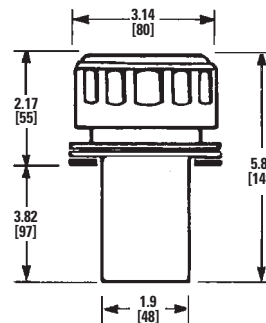
Mini Filler Breather

Donaldson Part No.	Description	Micron Rating	Airflow Capacity (CFM)	Finish
P562561	MBB-10-N	10	10	Chrome
P562562	MBB-40-N	40	10	Chrome



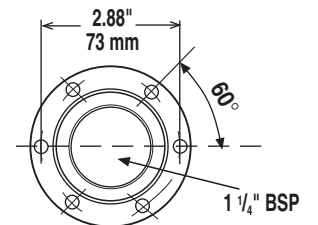
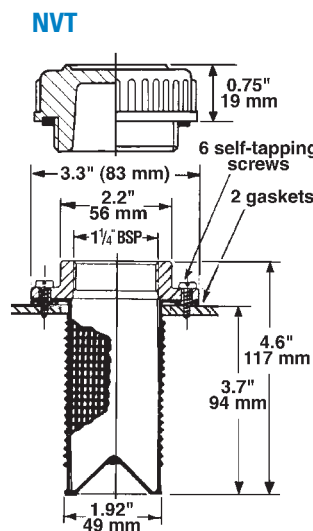
Non-Vent Filler Breather, Bayonet

Donaldson Part No.	Description	Feature	Finish
P562563	NVB-00-3S	FILLER CAP ASSY W/3" STAINLESS BASKET	Chrome
P562564	NVB-00-N	FILLER CAP ASSY W/ NYLON BASKET	Chrome
P562565	NVB-W-00-8S	FILLER CAP ASSY W/8" STAINLESS BASKET	Epoxy coated, Black



Non-vent Filler Breather, Threaded

Donaldson Part No.	Description	Feature	Finish
P562549	NVT-00-3S-R	FILLER CAP ASSY W/3" STAINLESS BASKET, BUNA GASKET	Black Technopolymer
P562550	NVT-00-N	FILLER CAP ASSY W/ NYLON BASKET	Black Technopolymer



Filler Breathers



Description:

High impact technopolymer
 Temperature range
 -22°F to +240°F / -30°C to +115 °C
 2.75" diameter cap
 Available with bayonet or threaded flange
 Airflow to 30 CFM
 Compatible with petroleum and
 water based fluids
 30 mesh technopolymer basket

Options: Dipstick
 3", 6" and 8" stainless steel baskets

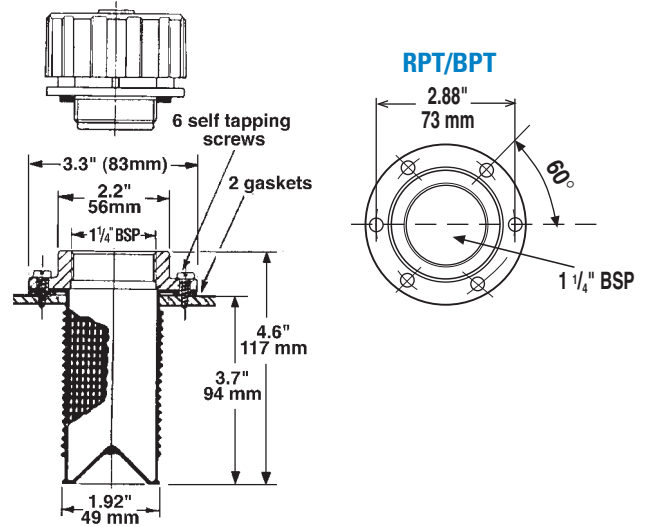
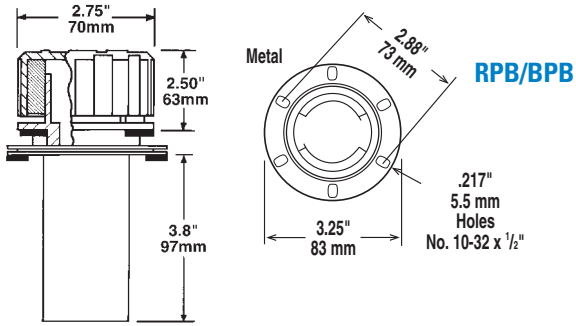


Bayonet Style (RPB) (BPB)

Donaldson Part No.	Description	Feature	Micron Rating	Airflow Capacity (CFM)	Relief Valve Setting (psi)	Finish
P562552	RPB-10-5-N	NYLON BASKET	10	30	5	Black Technopolymer
P562553	RPB-10-5-N-D-TAD	NYLON BASKET, DIPSTICK	10	30	5	Black Technopolymer
P562554	RPB-40-5-3S	3" STAINLESS BASKET	40	30	5	Black Technopolymer
P562555	RPB-40-5-6S	6" STAINLESS BASKET	40	30	5	Black Technopolymer
P562556	RPB-40-5-N	NYLON BASKET	40	30	5	Black Technopolymer
P562534	BPB-10-A CAP ONLY	BREATHING CAP	10	30	N/A	Black Technopolymer
P562535	BPB-10-N	BREATHING	10	30	N/A	Black Technopolymer
P562536	BPB-10-N-A	BREATHING	10	30	N/A	Black Technopolymer
P563813	BPB-40 CAP ONLY	BREATHING CAP	40	30	N/A	Black Technopolymer
P562537	BPB-40-3S	BREATHING W/3" STEEL BASKET	40	30	N/A	Black Technopolymer
P562538	BPB-40-3S-A	BREATHING	40	30	N/A	Black Technopolymer
P562539	BPB-40-6S-D	FILLER BREATHING W/DIP STICK	40	30	N/A	Black Technopolymer
P562540	BPB-40-A CAP ONLY	BREATHING CAP	40	30	N/A	Black Technopolymer
P562541	BPB-40-N	BREATHING	40	30	N/A	Black Technopolymer
P562542	BPB-40-N-A	BREATHING	40	30	N/A	Black Technopolymer
P562544	BPB-40-N-SMB	BREATHING W/SIDE MOUNT KIT	40	30	N/A	Black Technopolymer

Threaded Flange Style (RPT) (BPT)

Donaldson Part No.	Description	Feature	Micron Rating	Airflow Capacity (CFM)	Relief Valve Setting (psi)	Finish
P562557	RPT-40-5-6S	6" STAINLESS BASKET	40	30	5	Black Technopolymer
P562558	RPT-40-5-8S	8" STAINLESS BASKET	40	30	5	Black Technopolymer
P562560	RPT-40-5-N	NYLON BASKET	40	30	5	Black Technopolymer
P562559	RPT-40-5-CAP ONLY	CAP ONLY	40	30	5	Black Technopolymer
P563817	BPT-40-CAP-ONLY	THREADED BREATHING CAP	40	30	N/A	Black Technopolymer
P562548	BPT-40-N	THREADED BREATHING	40	30	N/A	Black Technopolymer

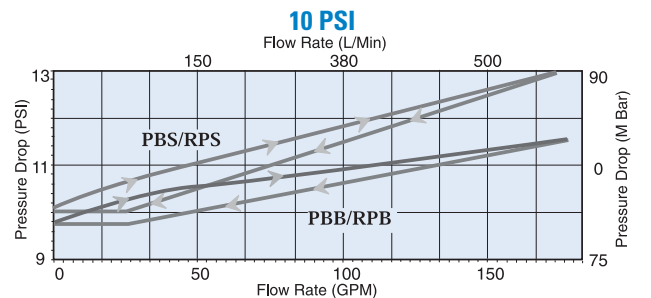
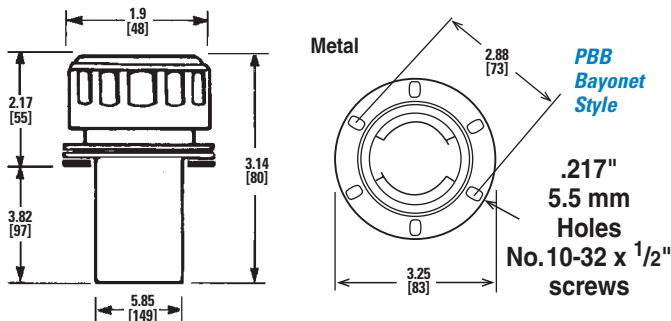
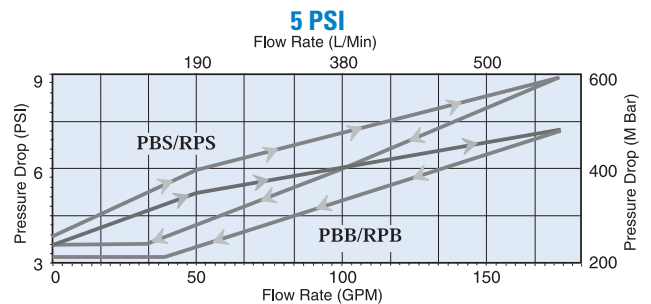


PBB Series Pressure Filler Breather Cap - Bayonet Style



Description:

- Chrome plated, epoxy coated or zinc plated steel cap
- Air intake valve opens at 0.435 *psi*
- Compatible with petroleum based fluids
- Temperature range
-22°F to +240°F / -30°C to 115°C
- Buna gaskets standard
- 10 and 40 micron available
- Relief valve settings at 5 or 10 *psi* full rate flow



Donaldson Part No.	Description	Feature	Micron Rating	Airflow Capacity (CFM) *	Relief Valve Setting (psi)	Finish
P562631	PBB-10-10-6S	6" STAINLESS BASKET	10	30	10	Chrome
P562632	PBB-10-10-N	NYLON BASKET	10	30	10	Chrome
P562633	PBB-10-10-N-LT	NYLON BASKET, LOCK TAB	10	30	10	Chrome
P563862	PBB-10-5	FLANGE, SCREWS & GASKET, NO BASKET	10	30	5	Chrome
P563346	PBB-10-5-3S	3" STAINLESS BASKET	10	30	5	Chrome
P563347	PBB-10-5-6S	6" STAINLESS BASKET	10	30	5	Chrome
P563348	PBB-10-5-N	NYLON BASKET	10	30	5	Chrome
P563349	PBB-10-5-N-LT	NYLON BASKET, LOCK TAB	10	30	5	Chrome
P563350	PBB-40-10-N	NYLON BASKET	40	30	10	Chrome
P563351	PBB-40-5	FLANGE, SCREWS & GASKET, NO BASKET	40	30	5	Chrome
P563352	PBB-40-5-3S	3" STAINLESS BASKET	40	30	5	Chrome
P563353	PBB-40-5-6S	6" STAINLESS BASKET	40	30	5	Chrome
P563354	PBB-40-5-8S	8" STAINLESS BASKET	40	30	5	Chrome
P563863	PBB-40-5-8S-LT-D	8" STAINLESS BASKET, LOCK TAB & DIPSTICK	40	30	5	Chrome
P563355	PBB-40-5-N	NYLON BASKET	40	30	5	Chrome
P563356	PBB-W-10-5-N	NYLON BASKET	10	30	5	Epoxy Coated, Black
P563357	PBB-W-10-5-N-LT	NYLON BASKET, LOCK TAB	10	30	5	Epoxy Coated, Black
P563864	PBB-W-40-10-N	NYLON BASKET	40	30	10	Epoxy Coated, Black
P563358	PBB-W-40-5-3S	3" STAINLESS BASKET	40	30	5	Epoxy Coated, Black
P563359	PBB-W-40-5-N	NYLON BASKET	40	30	5	Epoxy Coated, Black
P563360	PBB-Z-10-10-N	NYLON BASKET	10	30	10	Zinc Plated
P563361	PBB-Z-10-5-N	NYLON BASKET	10	30	5	Zinc Plated

Weld Risers For Filler Breathers

Donaldson Part No.	Description	Length
P562668	WR-5565	1.13"

Steel stamped construction
Predrilled holes align
with standard breather
tank flanges
Provides for easy installation
of filler breathers

