

Fluid Level Gauges

Description:

- Steel frame
- Acrylic lens
- Steel zinc plated bolts
- 5" mounting bolt centers
- Maximum wall thickness: 1/2"
- Maximum temperature:
SLT 225°F / 107°C; SLG 180°F / 80°C

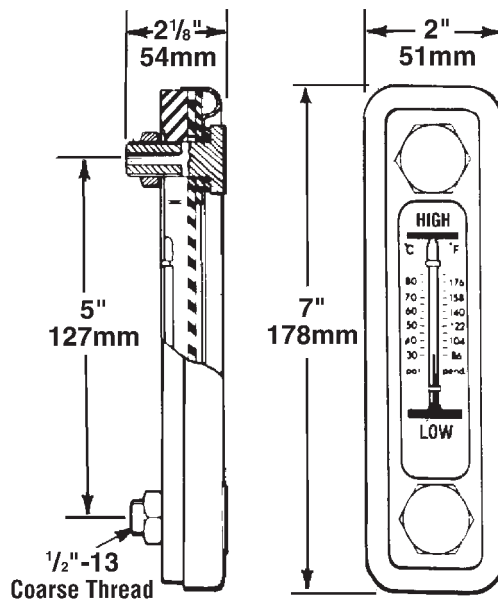


SLT-1214
P562433

SLG-5
P562432

Features

Donaldson offers a wide variety of fluid level gauges that let you accurately measure fluid levels in your tanks and reservoirs. Gauges are made with transparent lens material and are suitable for lubricants, mineral, petroleum and water based fluids. They offer 180° visibility of fluid level.



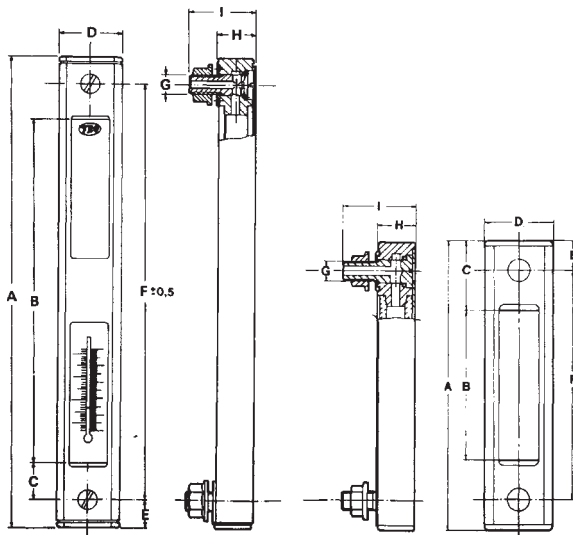
Accessories

Donaldson Part No.	Desc.	Feature	Seals
P562432	SLG-5	5" Level Gauge w/ Red Thermometer, Black Steel Frame	BunaN
P562433	SLT-1214	5" Level Gauge w/ Red Thermometer, Chrome Steel Frame	Neoprene

Bolt torque: 15 ft./lbs. Do not exceed 20 ft./lbs.

Description:

Transparent lens material
 BunaN seals
 Maximum working pressure
 for pressurized tanks:
 14.5 *psi* / 1 bar / 100 kPa.
 Oil level and temperature or oil level only
 Temperature scale:
 35° to 210°F / 30° to 90°C.



Bolt torque: 10 ft. lbs.
 Inside nut for tightening
 directly on the tank.
 Suggested mounting hole
 diameter: 11mm or 13mm.

Oil Level/Temperature Gauge Specifications (35° - 210°F / 30° - 90°C)

(shown above left)

Part No.	A (in./mm)	B (in./mm)	C (in./mm)	D (in./mm)	E (in./mm)	F (in./mm)	G	H (in./mm)	I (in./mm)
P171920	6.22/158	3.22/82	.89/22.5	1.57/40	.61/15.5	5/127	m12	.78/20	1.57/40
P171922	11.22/285	8.23/209	.89/22.5	1.57/40	.61/15.5	10/254	m12	.78/20	1.57/40

Oil Level Gauge Specifications

(shown above right)

Part No.	A (in./mm)	B (in./mm)	C (n./mm)	D (in./mm)	E (in./mm)	F (in./mm)	G	H (in./mm)	I (in./mm)
P171918	6.22/1.58	3.23/82	.89/22.5	1.57/40	.61/15.5	5/127	m12	.78/20	1.57/40
P171913	4.21/107	1.22/31	.89/22.5	1.57/40	.61/15.5	3/76	m10	.78/20	1.57/40

Description:

Ultrasonically welded polyamide
 Suitable for pressurized reservoirs
 (260 *psi* max.)
 Maximum operating temperature:
 212°F / 100°C
 Scale: 32°F to 212°F / 0°C to 100°C
 Maximum wall thickness:
 LG-3 - 1/2", LG-5/LG-10 - 3/8"
 BunaN O-Ring seals
 Zinc plated bolts

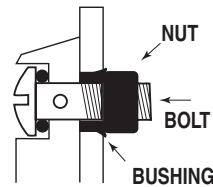
Note: Any contact with alcohol, alcohol-based washing fluids, or petroleum distillates must be avoided. Do not chamfer tank mounting holes.



Options:

- 1/2-13 bolts (LG-5)
- Protective guard (LG-5)
- Viton seals
- Red and blue thermometers
- Alcohol resistant version
- Fast mount kit (requires no internal access or threads to mount)

Fast Mount Assembly Instructions



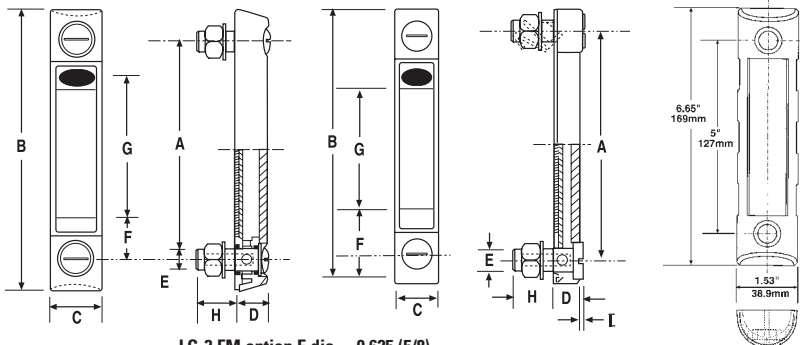
Installation: Tighten nuts on bolts to the point where nuts are snug against bushings. Apply one drop of thread lock to last exposed thread at end of bolts. Mount on tank and tighten to 7 ft. lbs. (DO NOT OVER-TIGHTEN).

Removal: Loosen bolts and remove. (IMPORTANT: THREAD LOCK PREVENTS OVER-LOOSENING OF BOLTS TO POINT WHERE NUTS DROP OFF INTO TANK.)

LG Series

LGZ Series

LG-5G Guard



LG-3 FM option E dia. = 0.625 (5/8)
 LG-5, 10 FM option E dia. = 0.688 (11/16)

Bolt torque: 9 ft./lbs.
 (7 ft./lbs. fast mount)

Fluid Level Gauge Guard (LG-5 Series only)

Donaldson Part No.	Description	Feature	Bolt Center Dim. A	Dim. B	Dim. C	Dim. D
P562453	LG-G	5" Level Gauge Guard	5.00/127	6.65/169	1.53/39	.98/25



Transparent Polyamide Fluid Level Gauges

Donaldson Part No.	Description	Feature	Bolt Center				Hole Dia.		Bolt Size	Dim. F	Dim. G	Dim. H	Dim. I
			Dim. A	Dim. B	Dim. C	Dim. D	Dim. E	Dim. E					
P562438	LG-3	3" Level Gauge	3.00/76	4.17/106	1.06/27	.63/16	.42/10	M10 x 1.5	.71/18	1.31/33	.83/21		
P562440	LG-3-FM	3" Level Gauge w/ Fast Mount kit	3.00/76	4.17/106	1.06/27	.63/16	.625/16	M10 x 1.5	.71/18	1.31/33	.83/21		
P562441	LG-3-T	3" Level Gauge w/ Red Thermometer	3.00/76	4.17/106	1.06/27	.63/16	.42/10	M10 x 1.5	.71/18	1.31/33	.83/21		
P562442	LG-3-TB	3" Level Gauge w/ Blue Thermometer	3.00/76	4.17/106	1.06/27	.63/16	.42/10	M10 x 1.5	.71/18	1.31/33	.83/21		
P562454	LG-Z-3	3" Level Gauge	3.00/76	3.90/99	.90/22	.57/14.5	.42/10	M10 x 1.5	.70/18	1.30/33.6	.90/23	0.06/1.5	
P562455	LG-Z-3-T	3" Level Gauge w/ Red Thermometer	3.00/76	3.90/99	.90/22	.57/14.5	.42/10	M10 x 1.5	.70/18	1.30/33.6	.90/23	0.06/1.5	
P562444	LG-5	5" Level Gauge	5.00/127	6.34/161	1.22/31	.71/18	.47/12	M12 x 1.75	.90/23	2.91/74	.90/23		
P562445	LG-5-13	5" Level Gauge w/ 1/2" -13 bolt kit	5.00/127	6.34/161	1.22/31	.71/18	.50/13	1/2 - 13 UNC	.90/23	2.91/74	.90/23		
P563910	LG-5-AR	5" Level Gauge, Alcohol resistant	5.00/127	6.34/161	1.22/31	.71/18	.47/12	M12 x 1.75	.90/23	2.91/74	.90/23		
P562447	LG-5-FM	5" Level Gauge w/ Fast Mount kit	5.00/127	6.34/161	1.22/31	.71/18	.688/17.5	M12 x 1.75	.90/23	2.91/74	.90/23		
P562448	LG-5-T	5" Level Gauge w/ Red Thermometer	5.00/127	6.34/161	1.22/31	.71/18	.47/12	M12 x 1.75	.90/23	2.91/74	.90/23		
P562449	LG-5-T-13	5" Level Gauge w/ Red Thermometer & 1/2"-13 bolt kit	5.00/127	6.34/161	1.22/31	.71/18	.50/13	1/2 - 13 UNC	.90/23	2.91/74	.90/23		
P562450	LG-5-TB	5" Level Gauge w/ Blue Thermometer	5.00/127	6.34/161	1.22/31	.71/18	.47/12	M12 x 1.75	.90/23	2.91/74	.90/23		
P562451	LG-5-T-FM	5" Level Gauge w/ Red Thermometer & Fast Mount kit	5.00/127	6.34/161	1.22/31	.71/18	.688/17.5	M12 x 1.75	.90/23	2.91/74	.90/23		
P563913	LG-5-T-G	5" Level Gauge w/ Red Thermometer & Guard	5.00/127	6.34/161	1.22/31	.71/18	.47/12	M12 x 1.75	.90/23	2.91/74	.90/23		
P562452	LG-5-T-SS	5" Level Gauge w/ Red Thermometer, Stainless Bolt kit	5.00/127	6.34/161	1.22/31	.71/18	.47/12	M12 x 1.75	.90/23	2.91/74	.90/23		
P562456	LG-Z-5	5" Level Gauge	5.00/127	5.9/150	.90/22	.57/14.5	.47/12	M12 x 1.75	.93/23.5	2.90/73.7	.90/23	0.06/1.5	
P562457	LG-Z-5-T	5" Level Gauge w/ Red Thermometer	5.00/127	5.9/150	.90/22	.57/14.5	.47/12	M12 x 1.75	.93/23.5	2.90/73.7	.90/23	0.06/1.5	
P562458	LG-Z-5-V	5" Level Gauge w/ Viton seals	5.00/127	5.9/150	.90/22	.57/14.5	.47/12	M12 x 1.75	.93/23.5	2.90/73.7	.90/23	0.06/1.5	
P562434	LG-10	10" Level Gauge	10.00/254	11.42/290	1.38/35	.71/18	.47/12	M12 x 1.75	1.02/26	7.60/193	.90/23		
P562435	LG-10-LF	10" Level Gauge w/ Level Float	10.00/254	11.42/290	1.38/35	.71/18	.47/12	M12 x 1.75	1.02/26	7.60/193	.90/23		
P562436	LG-10-T	10" Level Gauge w/ Red Thermometer	10.00/254	11.42/290	1.38/35	.71/18	.47/12	M12 x 1.75	1.02/26	7.60/193	.90/23		
P562437	LG-10-TB	10" Level Gauge w/ Blue Thermometer	10.00/254	11.42/290	1.38/35	.71/18	.47/12	M12 x 1.75	1.02/26	7.60/193	.90/23		
P563909	LG-10-TB-SS	10" Level Gauge w/ Blue Thermometer & Stainless Bolt kit	10.00/254	11.42/290	1.38/35	.71/18	.47/12	M12 x 1.75	1.02/26	7.60/193	.90/23		