

Sight Glasses

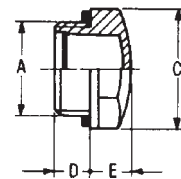
Features

Leak-free sight glasses come in plastic or metal with a variety of threads, seals and lenses. In low visibility areas, prism lens sight glasses are a good solution for quick and accurate readings. In applications involving high pressure or temperatures, steel sight glasses are preferred. Locking nuts provide mounting into sheet metal with minimum thickness and without welding.



Description:

- Transparent polyamid lens
- Shock resistant
- Anodized aluminum reflector
- Operating temperature 210°F / 100°C
- BunaN seal
- For use with mineral, petroleum and water-based fluids
- Any contact with alcohol or solvents must be avoided
- Design HFTX



Accessories

Donaldson Part No.	Description	Thread Size Dim. A (in./mm)	Dim. B (in./mm)	Dim. C (in./mm)	Dim. D (in./mm)	Dim. E (in./mm)	Dim. F (in./mm)
P562419	SG-04	1/4" BSP	.35/9	.71/18	.28/7	.24/6	.59/15
P562420	SG-06	3/8" BSP	.43/11	.87/22	.32/8	.28/7	.75/19
P562421	SG-08	1/2" BSP	.55/14	1.02/26	.32/8	.32/8	.87/22
P562423	SG-08-S	3/4" - 16 UN	.51/13	1.02/26	.59/15	.32/8	.87/22
P562426	SG-12	3/4" BSP	.79/20	1.22/31	.35/9	.39/10	1.06/27
P562427	SG-12-S	1-1/16 - 12 UN	.75/19	1.38/35	.59/15	.39/10	1.18/30
P562428	SG-16	1" BSP	1.00/25	1.58/40	.43/11	.39/10	1.34/34
P562430	SG-20	1-1/4" BSP	1.18/30	1.85/47	.47/12	.51/13	1.61/41

Prism Sight Glasses

Description:

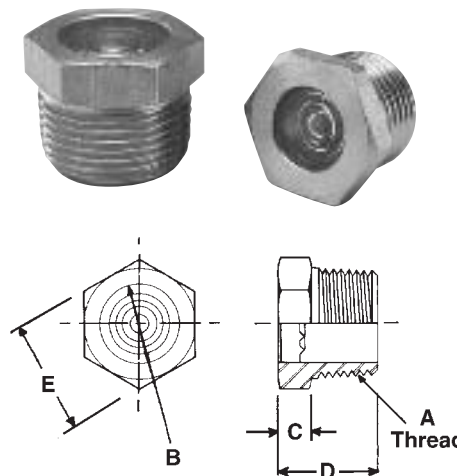
Prism lenses: special translucent polyamide technopolymer
 For low light applications
 Body: special black polyamide technopolymer
 Available in 1/2", 3/4" and 1" NPT sizes
 Resistant to solvents, oils, greases, alkaline acids
 Avoid alcohol and detergents containing alcohol
 Flat BunaN seal




Donaldson Part No.	Description	Thread Size Dim. A (in./mm)	Dim. B (in./mm)	Dim. C (in./mm)	Dim. D (in./mm)	Dim. E (in./mm)	Dim. F (in./mm)
P562416	PSG-08	1/2" NPT	0.55/14	1.10/28	0.40/10	0.31/8	0.95/24
P562417	PSG-12	3/4" NPT	0.70/18	1.38/35	0.40/10	0.33/8.5	1.26/32
P562418	PSG-16	1" NPT	0.90/23	1.70/43	0.43/11	0.36/9	1.50/38

Description:

All nickel-plated steel construction
 Glass prism lenses hermetically sealed
 Leak-proof service
 Greater mechanical strength
 Easy installation
 Reflects light in the presence of any liquid
 Maximum operating temp. 500°F / 260°C
 Suitable for petroleum and water based fluids



Donaldson Part No.	Description	Thread Size Dim. A (in./mm)	Dim. B (in./mm)	Dim. C (in./mm)	Dim. D (in./mm)	Dim. E (in./mm)
P562408	SVM-04	1/4" NPT	0.34/8	0.19/5	0.44/11	0.63/16
P562409	SVM-06	3/8" NPT	0.44/11	0.22/6	0.5/13	0.75/19
P562410	SVM-08	1/2" NPT	0.56/14	0.22/6	0.56/14	0.94/24
P562411	SVM-12	3/4" NPT	0.75/19	0.31/8	0.63/16	1.06/27
P562412	SVM-16	1" NPT	0.94/24	0.31/8	0.94/24	1.38/35
P562413	SVM-20	1-1/4" NPT	1.19/30	0.41/10	0.81/21	1.75/44
P562414	SVM-24	1-1/2" NPT	1.44/37	0.41/10	0.81/21	2.00/51
P562415	SVM-32	2" NPT	1.88/48	0.41/10	0.88/22	2.50/64