

# Sight Glasses

## Features

Leak-free sight glasses come in plastic or metal with a variety of threads, seals and lenses. In low visibility areas, prism lens sight glasses are a good solution for quick and accurate readings. In applications involving high pressure or temperatures, steel sight glasses are preferred. Locking nuts provide mounting into sheet metal with minimum thickness and without welding.

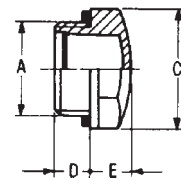


### Description:

- Transparent polyamid lens
- Shock resistant
- Anodized aluminum reflector
- Operating temperature 210°F / 100°C
- BunaN seal
- For use with mineral, petroleum and water-based fluids
- Any contact with alcohol or solvents must be avoided
- Design HFTX



**elera**<sup>®</sup>



Donaldson Part No.	Description	Thread Size Dim. A (in./mm)	Dim. B (in./mm)	Dim. C (in./mm)	Dim. D (in./mm)	Dim. E (in./mm)	Dim. F (in./mm)
P562419	SG-04	1/4" BSP	.35/9	.71/18	.28/7	.24/6	.59/15
P562420	SG-06	3/8" BSP	.43/11	.87/22	.32/8	.28/7	.75/19
P562421	SG-08	1/2" BSP	.55/14	1.02/26	.32/8	.32/8	.87/22
P562423	SG-08-S	3/4" - 16 UN	.51/13	1.02/26	.59/15	.32/8	.87/22
P562426	SG-12	3/4" BSP	.79/20	1.22/31	.35/9	.39/10	1.06/27
P562427	SG-12-S	1-1/16 - 12 UN	.75/19	1.38/35	.59/15	.39/10	1.18/30
P562428	SG-16	1" BSP	1.00/25	1.58/40	.43/11	.39/10	1.34/34
P562430	SG-20	1-1/4" BSP	1.18/30	1.85/47	.47/12	.51/13	1.61/41

# Prism Sight Glasses

## Description:

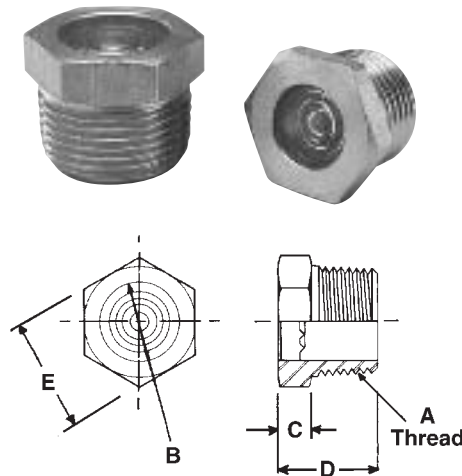
Prism lenses: special translucent polyamide technopolymer  
 For low light applications  
 Body: special black polyamide technopolymer  
 Available in 1/2", 3/4" and 1" NPT sizes  
 Resistant to solvents, oils, greases, alkaline acids  
 Avoid alcohol and detergents containing alcohol  
 Flat BunaN seal




Donaldson Part No.	Description	Thread Size Dim. A (in./mm)	Dim. B (in./mm)	Dim. C (in./mm)	Dim. D (in./mm)	Dim. E (in./mm)	Dim. F (in./mm)
P562416	PSG-08	1/2" NPT	0.55/14	1.10/28	0.40/10	0.31/8	0.95/24
P562417	PSG-12	3/4" NPT	0.70/18	1.38/35	0.40/10	0.33/8.5	1.26/32
P562418	PSG-16	1" NPT	0.90/23	1.70/43	0.43/11	0.36/9	1.50/38

## Description:

All nickel-plated steel construction  
 Glass prism lenses hermetically sealed  
 Leak-proof service  
 Greater mechanical strength  
 Easy installation  
 Reflects light in the presence of any liquid  
 Maximum operating temp. 500°F / 260°C  
 Suitable for petroleum and water based fluids



Donaldson Part No.	Description	Thread Size Dim. A (in./mm)	Dim. B (in./mm)	Dim. C (in./mm)	Dim. D (in./mm)	Dim. E (in./mm)
P562408	SVM-04	1/4" NPT	0.34/8	0.19/5	0.44/11	0.63/16
P562409	SVM-06	3/8" NPT	0.44/11	0.22/6	0.5/13	0.75/19
P562410	SVM-08	1/2" NPT	0.56/14	0.22/6	0.56/14	0.94/24
P562411	SVM-12	3/4" NPT	0.75/19	0.31/8	0.63/16	1.06/27
P562412	SVM-16	1" NPT	0.94/24	0.31/8	0.94/24	1.38/35
P562413	SVM-20	1-1/4" NPT	1.19/30	0.41/10	0.81/21	1.75/44
P562414	SVM-24	1-1/2" NPT	1.44/37	0.41/10	0.81/21	2.00/51
P562415	SVM-32	2" NPT	1.88/48	0.41/10	0.88/22	2.50/64