



Flow Range: up to 160 gph / 606 lph

Operating Pressure

0-100 psi (690 kPa) without bowl

Temperature Range

-40° to 250°F (-40° to 121°C)

Flow Rate

Up to 160 gph / 606 lph
See table for filter flow rates

Fuel Compatibility

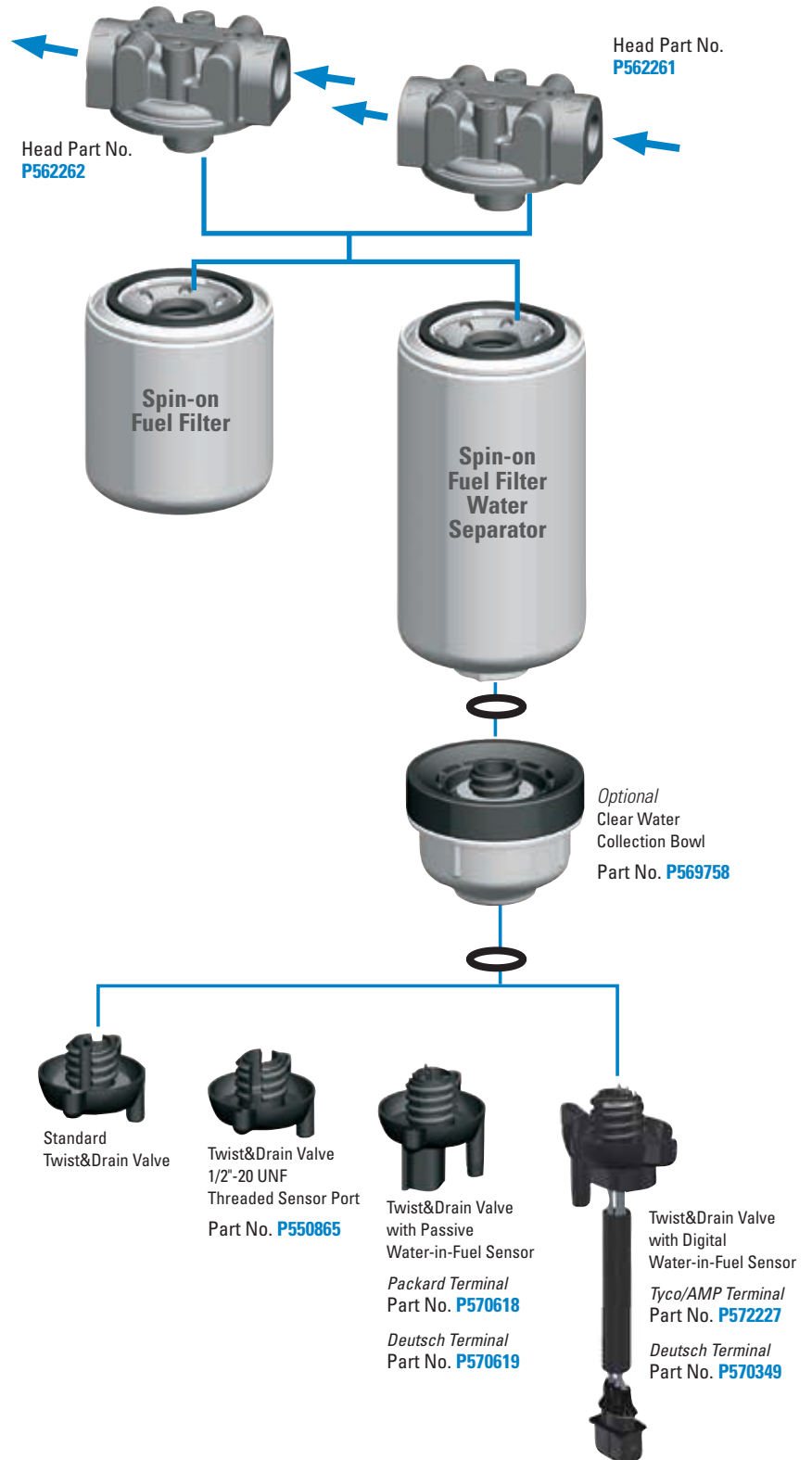
#1 or #2 Diesel, Kerosene, Biodiesel up to B20 and JP8

Mounting

Engine or Chassis

Water Removal @ Recommended Flow Rate

SAE J1488 Emulsified: 95% efficiency
SAE J1839 Free Water: 95% efficiency



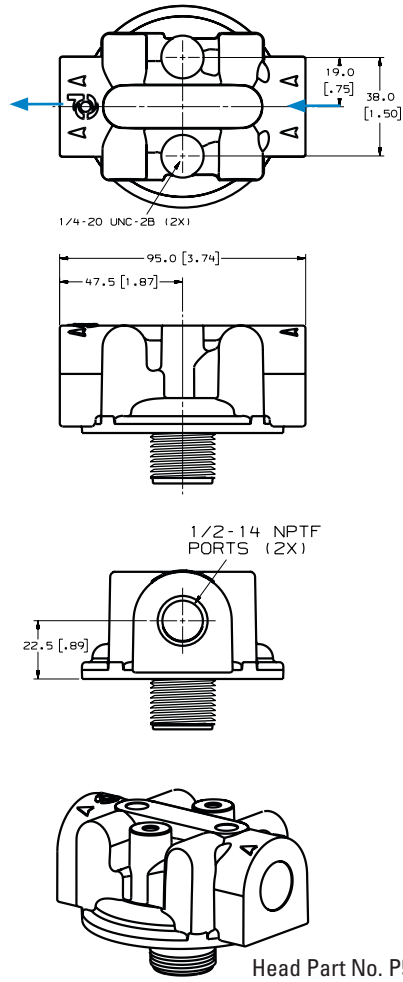
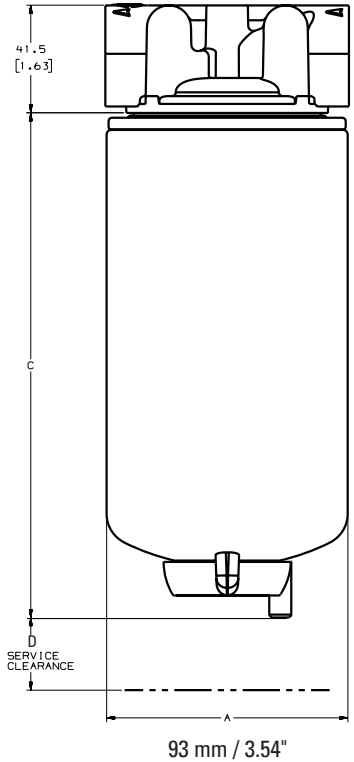
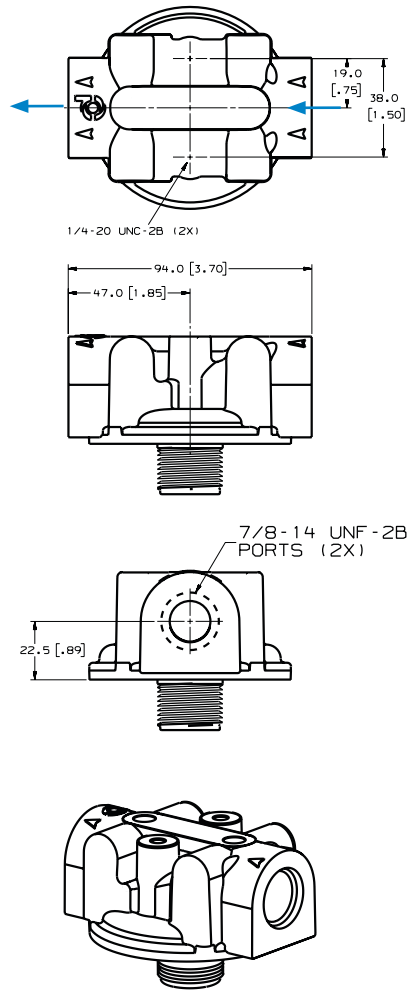


Fuel Filtration

Filter Dia. 93 MM (3.54") x 1"-14



Specification Illustrations





Filter Selection Chart

Filter Style	Max. Recommended Flow Rate		(C) Filter Length*		Media Type	Efficiency @ Micron	Stand Tube	Part Number	Performance Curve	(D) Service Clearance	
	gph	lph	in	mm						in	mm
Standard Drain 	90	341	7.38	187	Synteq	99% @ 10	No	P550847	G	.87	22
					Treated Cellulose	99% @ 15	No	P558000	G		
			Treated Cellulose	99% @ 3	No	P553203	G				
	100	379	7.68	195	Synteq	99% @ 10	Yes	P551001	J		
					Synteq	99% @ 10	No	P553201	J		
			8.64	219	Treated Cellulose	99% @ 35	No	P553204	K		
	Treated Cellulose	99% @ 3			No	P553207	I				
	120	454	9.70	246	Synteq	99% @ 10	Yes	P551000	N		
			9.71	247	Treated Cellulose	99% @ 7	Yes	P550901	N		
Drain Valve for Deutsch WIF Sensor 	100	379	8.40	213	Synteq	99% @ 10	No	P550848	K		
	120	454	9.01	229	Synteq	99% @ 10	Yes	P551122	N		
			9.40	239	Synteq	99% @ 10	Yes	P551103	N		
Drain Valve for 1/2"-20 UNF Threaded Port Sensor 	90	341	7.61	193	Treated Cellulose	99% @ 3	No	P553213	E		
					Synteq	99% @ 10	No	P553211	G		
			8.64	219	Treated Cellulose	99% @ 35	No	P553214	H		
	Treated Cellulose	99% @ 3			No	P553217	F				
	120	454	9.22	234	Synteq	99% @ 10	No	P552032	N		
No Drain 	40	150	4.22	107	Cellulose	99% @ 25	No	P550104	B		
	60	227	5.35	136	Cellulose	99% @ 25	No	P550105	C		
					Cellulose	99% @ 17	No	P552251	C		
			5.78	147	Wire Mesh	95% @140	No	P552203	C		
	80	303	6.85	174	Cellulose	99% @ 25	No	P553854	D		
					Cellulose	99% @ 9	No	P557440	A		
	100	379	6.95	177	Cellulose	99% @ 3	No	P551313	I		
			7.40	188	Cellulose	99% @ 25	No	P550106	J		
			7.87	200	Cellulose	99% @ 9	No	P555627	I		
	120	454	8.69	221	Cellulose	99% @ 15	No	P552253	N		
	160	606	9.43	240	Cellulose	99% @ 9	No	P551712	M		
					Cellulose	99% @ 3	No	P551311	L		

* Water Collection Bowl (part no. P569758) adds 1.98" / 50 mm to filter length.



Performance Curves

