



# Fuel Filtration

Filter Dia. 76 MM (3.0") x M16-1.5



## Flow Range: up to 30 gph / 114 lph

### Operating Pressure

0-100 psi (690 kPa) without bowl

### Temperature Range

-40° to 250°F (-40° to 121°C)

### Flow Rate

Up to 30 gph / 114 lph

See table for filter flow rates

### Fuel Compatibility

#1 or #2 Diesel, Kerosene, Biodiesel up to B20 and JP8

### Mounting

Engine or Chassis

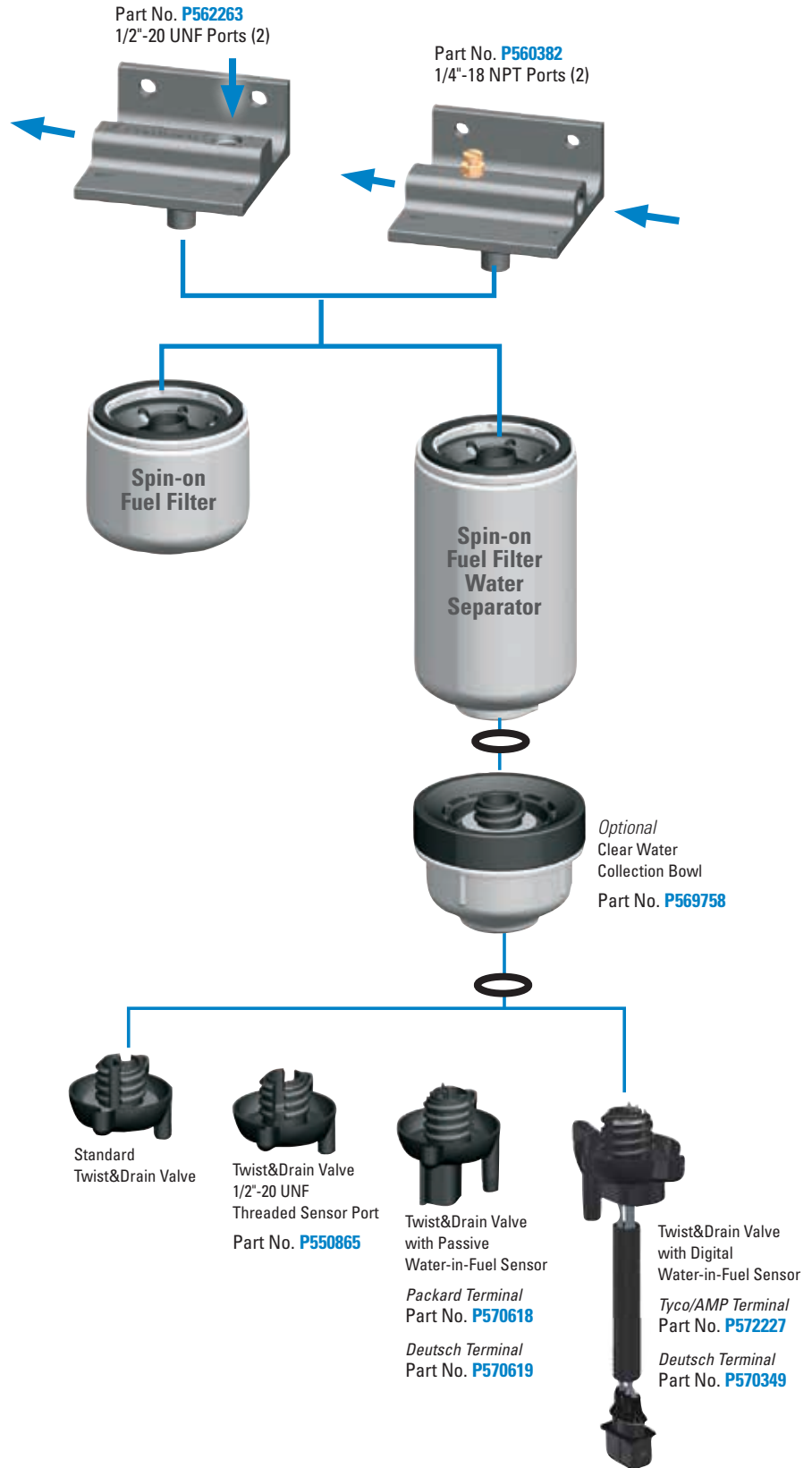
### Water Removal @ Recommended Flow Rate

SAE J1488 Emulsified: 95% efficiency

SAE J1839 Free Water: 95% efficiency

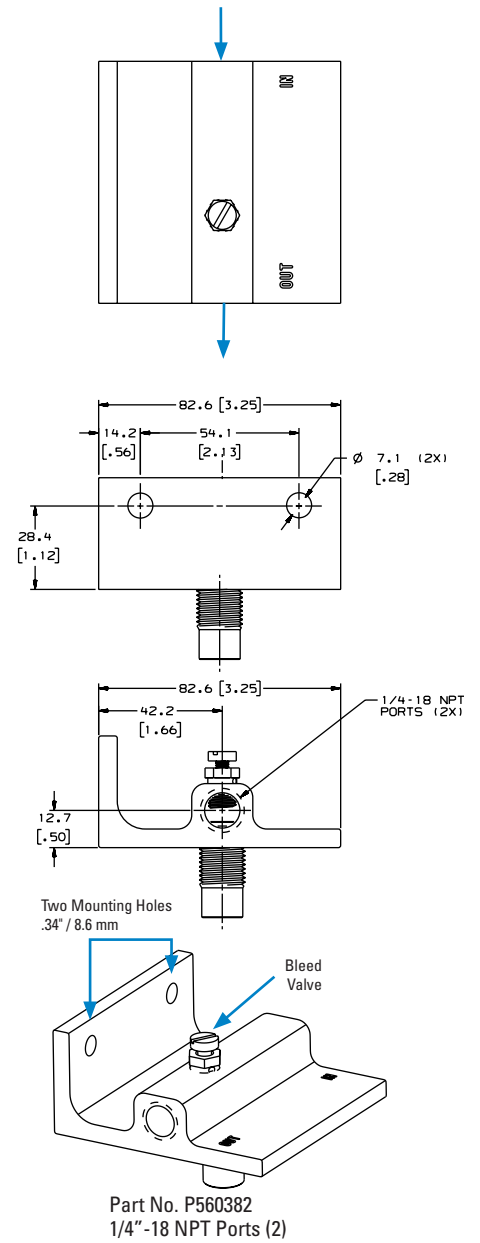
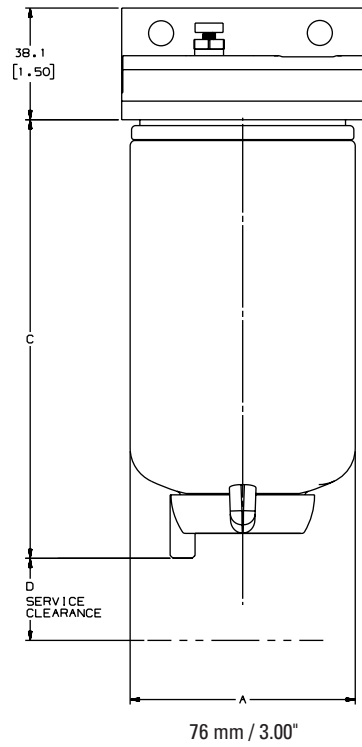
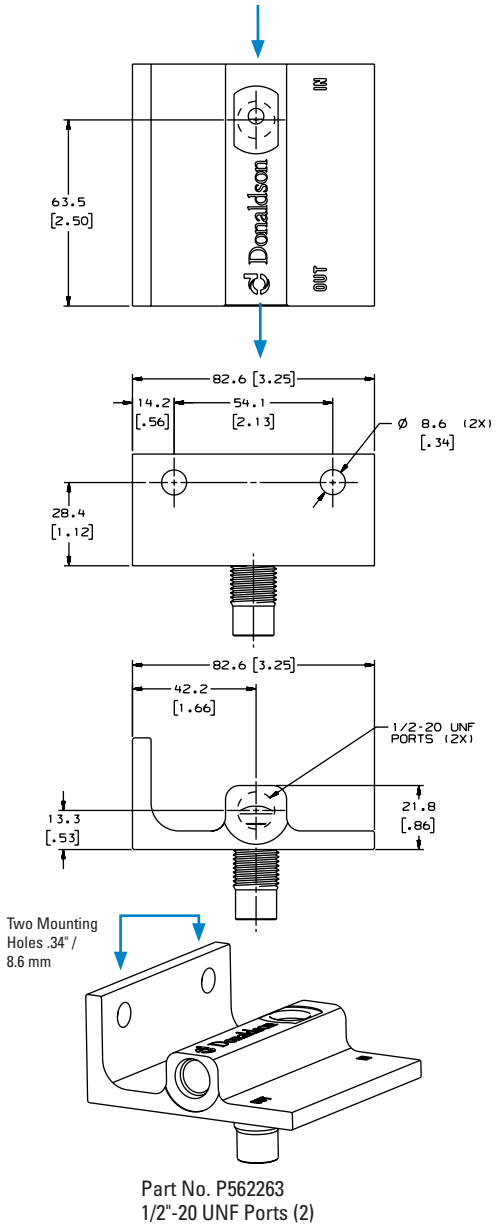
### Air Bleed Vent

Bleed options available







**Specification Illustrations**





### Filter Selection Chart

Filter Style	Max. Recommended Flow Rate		(C) Filter Length*		Media Type	Efficiency @ Micron	Stand Tube	Part Number	Performance Curve	(D) Service Clearance	
	gph	lph	in	mm						in	mm
 Standard Drain	15	57	4.01	102	Treated Cellulose	99% @ 15	No	<a href="#">P551039</a>	B	.93	24
	30	114	5.81	148	Treated Cellulose	99% @ 11	No	<a href="#">P550588</a>	C		
					Synteq	99% @ 3	No	<a href="#">P551615</a>	N/A		
					Treated Cellulose	99% @ 15	Yes	<a href="#">P550248</a>	C		
 No Drain	15	57	3.26	83	Cellulose	99% @ 16	No	<a href="#">P550345</a>	B		
	25	95	4.72	120	Cellulose	99% @ 9	No	<a href="#">P555095</a>	A		
					Cellulose	99% @ 16	Yes	<a href="#">P553004</a>	C		
					Cellulose	99% @ 9	No	<a href="#">P550943</a>	C		
30	114	4.72	120	Cellulose	99% @ 16	Yes	<a href="#">P550440</a>	D			

\* Water Collection Bowl (part no. P569758) adds 1.98" / 50 mm to filter length.

### Performance Curves

