

FHK Series

Intank Return Filters



Our 5 FHK intank filter models almost totally immerse in the tank, with just the cover above the tank top. Inlet and outlet ports are both in the tank. FHK element flow is outside to inside. Three optional service indicators are available.

Applications

In-Plant and Mobile Equipment Applications

Return Lines

Side Loop Systems

Fluid Conditioning Systems

Process Systems

Case Drains

Lube Oil Systems

Cooling Circuit Systems

Features

Working Pressures to 145 psi / 10 bar

Minimum Burst (Rated Static) Pressure to 217 psi / 15 bar

Flow: Up to 132 gpm / 500 l/min

Port Sizes: 3/4", 1", 1 1/4", 1 1/2", 2" SAE O-Ring

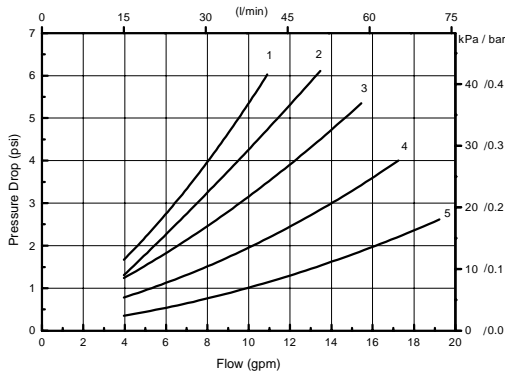
Standard Bypass Rating: 22 psid / 1.5 bar

Both electrical and visual service indicators available.

Die cast aluminum cover and steel canister

Operating Temperatures: -4°F to 194°F / -20°C to 90°C

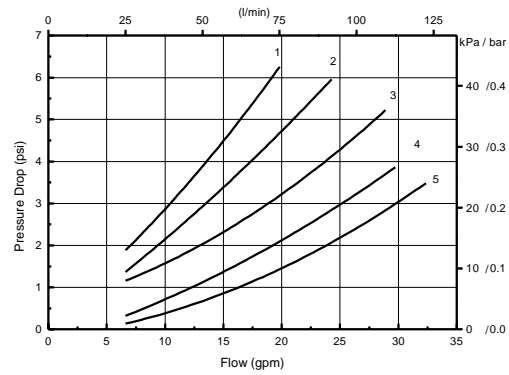
K040814 Assembly



Service Element Part Numbers

1. P171525 (Synthetic)
2. P171526 (Synthetic)
3. P171527* (Cellulose)
4. P171528 (Cellulose)
5. P171529, P171524 (Wire Mesh)

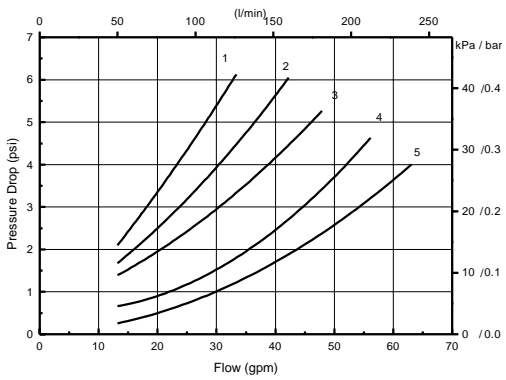
K040815 Assembly



Service Element Part Numbers

1. P171531 (Synthetic)
2. P171532 (Synthetic)
3. P171533* (Cellulose)
4. P171534 (Cellulose)
5. P171535, P171530 (Wire Mesh)

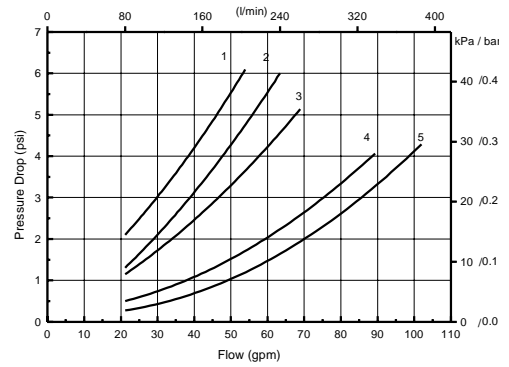
K051209 Assembly



Service Element Part Numbers

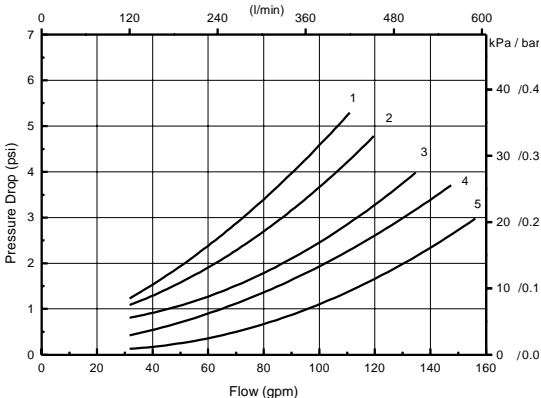
1. P171537 (Synthetic)
2. P171538 (Synthetic)
3. P171539* (Cellulose)
4. P171540 (Cellulose)
5. P171541, P171536 (Wire Mesh)

K070253 Assembly



Service Element Part Numbers

1. P171561 (Synthetic)
2. P171562 (Synthetic)
3. P171563* (Cellulose)
4. P171564 (Cellulose)
5. P171565, P171560 (Wire Mesh)



K070254 Assembly

Service Element Part Number

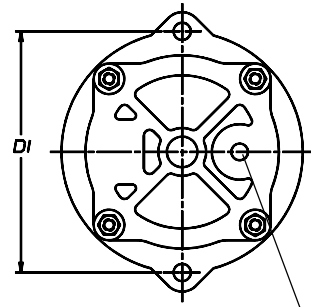
1. P171567 (Synthetic)
2. P171568 (Synthetic)
3. P171569* (Cellulose)
4. P171570 (Cellulose)
5. P171571, P171566 (Wire Mesh)

Flow rate and pressure drop curves determined in accordance to ISO/3968. Select a filter with a flow greater than the maximum operating requirement.

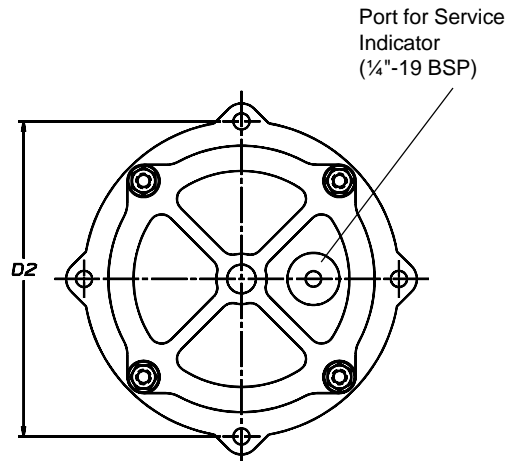
*Shipped with in-stock assembly

FHK Filter Assembly Dimensions

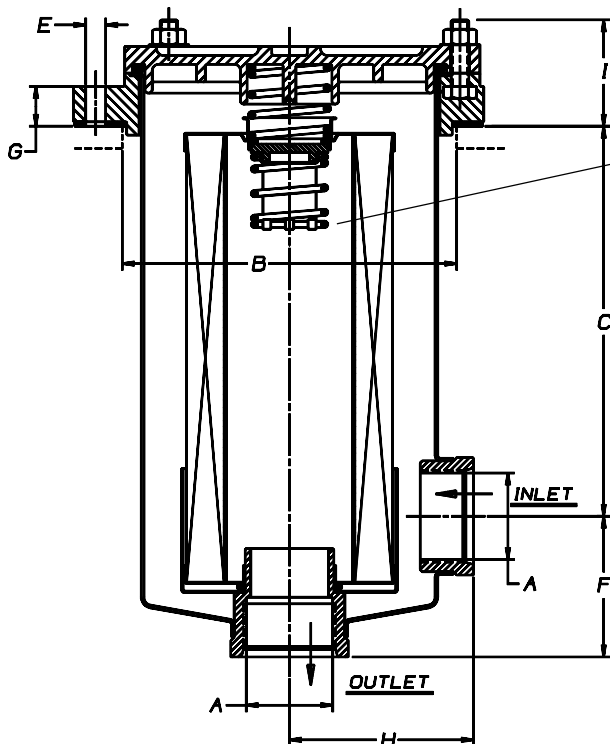
Model No.	K040814	K040815	K051209	K070253	K070254
A	¾-inch SAE O-Ring	1-inch SAE O-Ring	1¼-inch SAE O-Ring	1½-inch SAE O-Ring	2-inch SAE O-Ring
B	4.33 in. 110 mm	4.33 in. 110 mm	6.1 in. 156 mm	8.3 in. 204 mm	8.3 in. 204 mm
C	2.7 in. 68 mm	4.33 in. 110 mm	6.9 in. 176 mm	6.8 in. 174 mm	6.6 in. 168 mm
D 1	5 in. 126 mm	5 in. 126 mm	--	--	--
D 2	--	--	6.9 in. 175 mm	8.66 in. 220 mm	8.66 in. 220 mm
E	0.35 in. 9 mm	0.35 in. 9 mm	0.35 in. 9 mm	0.35 in. 9 mm	0.35 in. 9 mm
F	2 in. 52 mm	2.1 in. 54 mm	2.5 in. 63 mm	2.8 in. 71 mm	3 in. 78 mm
G	0.55 in. 14 mm	0.55 in. 14 mm	0.7 in. 218 mm	0.79 in. 20 mm	0.79 in. 20 mm
H	2.4 in. 61 mm	2.4 in. 61 mm	3.3 in. 83 mm	4.25 in. 108 mm	4.25 in. 108 mm
I	1.4 in. 36 mm	1.4 in. 36 mm	1.9 in. 48 mm	2.1 in. 53 mm	2.1 in. 53 mm



K040814
K040815



K051209
K070253
K070254



Bypass valve is an integral part of the replacement filter assembly.

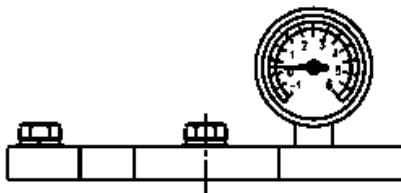
FHK In-Stock Assemblies

Port Size	Bypass Rating	Service Indicator	Beta Rating	FSK Assembly Model	Standard Service Element
¾" SAE O-Ring	22 psid 1.5 bar	Port Available	$\beta_{10} \geq 2$	K040814	P171527
1" SAE O-Ring				K040815	P171533
1¼" SAE O-Ring				K051209	P171539
1½" SAE O-Ring				K070253	P171563
2" SAE O-Ring				K070254	P171569

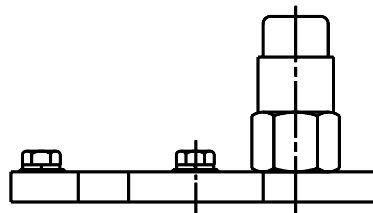
FHK Element Alternatives

Media Type	Beta Rating	K040814	K040815	K0501209	K070253	K070254
Synthetic	$\beta_{10} \geq 75$	P171525	P171531	P171537	P171561	P171567
Synthetic	$\beta_{25} \geq 75$	P171526	P171532	P171538	P171562	P171568
Cellulose	$\beta_{10} \geq 2$	P171527	P171533	P171539	P171563	P171569
Cellulose	$\beta_{25} \geq 2$	P171528	P171534	P171540	P171564	P171570
Wire Mesh	60 Absolute	P171529	P171535	P171541	P171565	P171571
Wire Mesh	90 Absolute	P171524	P171530	P171536	P171560	P171566

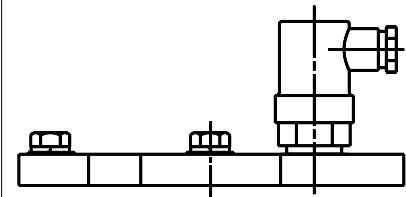
FHK Accessories



P171953
Pressure Gauge
 -14.5 to 87 psi
 -1 to +6 bar



P171958
Visual Indicator
 17.4 psi
 1.2 bar



P171966
AC Electrical Indicator
 17.4 psi
 1.2 bar

Donaldson
 Hydraulic Filtration Products

P.O. Box 1299
 Minneapolis, MN 55440-1299 USA
 Tel: 800-374-1374
 FAX: (612) 887-3716

Interleuvenlaan, 1
 B-3001 Leuven, Belgium
 Tel: (32)-(16)-383811
 Telefax: (32)-(16)-400077
 Telex: 23205 Beldo B