

TI25 Tank Immersed Filters

Working Pressures to: 100 *psi*
690 *kPa*
6.9 *bar*

Flow Ranges to: 60 *gpm*
227 *l/min*

Features

TI25 tank immersed filter mounts to tank, with the head and inlet above the tank and the housing inside the tank. Elements replaceable through the filter cover. Features aluminum casting, Buna-N seals and steel bowls. For use with petroleum and water-based fluids.

Electrical and visual service indicators and a variety of replacement filter media options are available.



Beta Rating

- Performance to $\beta_{10}=75$

Porting Sizes

- 1¼" NPT

Replacement Filter Length

- 9" / 229mm

Standard Bypass Ratings

- 25 *psi* / 150 *kPa* / 1.5 *bar*

Operating Temperatures

- -22°F to 250°F / -30°C to 121°C

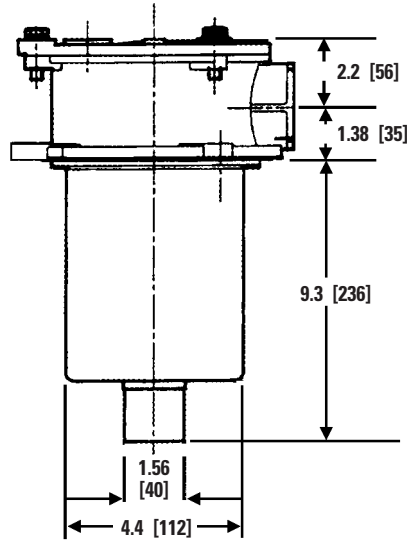
Assembly Weight

- 5.5 *lbs*

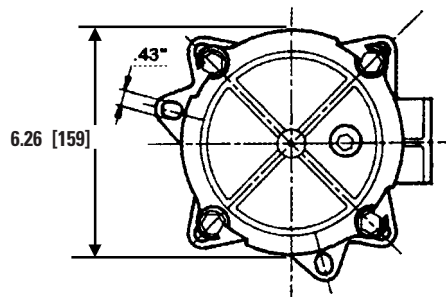
Element Collapse Pressure

- 150 *psid* / 1035 *kPa* / 10.3 *bar*

Assembly - Side View



Head - Top View



Mounting bolt circle: 6.25" [159 mm]
 Tank cut-out: 5.00" [127 mm]
 Mounting bolt holes: 5/16" [7.9 mm]

● All dimensions above are shown in inches [millimeters]

TI25 Assemblies & Service Parts

TI25 Filter Assemblies

Port Size	Bypass Rating	Service Indicator	Bowl Length	Donaldson Part No.	Element
1¼" NPT	25 psi / 172.5 kPa / 1.7 bar	Port Available	9.3" / 236 mm	K052051	Cellulose Media # 10
1¼" NPT	25 psi / 172.5 kPa / 1.7 bar	Visual	9.3" / 236 mm	K052046	Cellulose Media # 10
1¼" NPT	25 psi / 172.5 kPa / 1.7 bar	Visual	9.3" / 236 mm	K052047	Synteq Media # 2-1/2

Element Choices

Media Type	Beta ₍₁₀₎ =200 Rating	Beta ₍₁₀₎ =1000 Rating	Length (in./mm)	Donaldson Part No.	Comments
Cellulose Media # 3		24	9.02/229	P167514	
Cellulose Media # 10		23	9.02/229	P167410	
Cellulose Media # 25	32		9.02/229	P167425	
Synteq Media # 1		6	9.02/229	P169341	Synthetic Media
Synteq Media # 1		6	9.02/229	P174622	Synthetic Media, Viton seals
Synteq Media # 2		9	9.02/229	P169344	Synthetic Media
Synteq Media # 2		9	9.02/229	P174623	Synthetic Media, Viton seals
Synteq Media # 2-1/2		10	9.02/229	P163903	Synthetic Media
Synteq Media # 4		20	9.02/229	P174624	Synthetic Media, Viton seals
Synteq Media # 9		23	9.02/229	P163910	Synthetic Media
Wiremesh Media # 74	75		9.02/229	P173781	Wire Mesh
Wiremesh Media # 149	150		9.02/229	P173780	Wire Mesh

Optional Filter Service Indicators

Donaldson Part No.	Pressure Range	Use With Bypass Valve Rating	Type
P563978	5 to 30 psi field adj.*	15 psi / 103.4 kPa / 1.34 bar or 25 psi / 172.5 kPa / 1.72 bar or No Bypass	Return indicator, electrical
P563297	0 to 100 psi	15 psi / 103.4 kPa / 1.34 bar Bypass	Return indicator, color coded
P563298	0 to 100 psi	25 psi / 172.5 kPa / 1.72 bar or No Bypass	Return indicator, color-coded

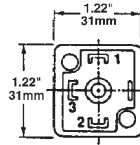
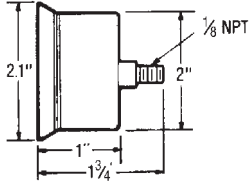
Notes

* NOT PRESET: Setting adjustable for desired application

Optional Filter Service Parts

Donaldson Part No.	Description
P563959	Cover Bolt 5/16-18 x 1"
P563966	Cover Seal O-Ring
P563965	Bowl Seal
P563968	Standard Reservoir Seal
P563969	Thick Reservoir Seal
P563970	Bypass Cartridge 25 psi
P563960	Metal Bowl

P563297
P563298



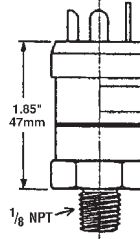
#1 Common;
#2 Normally Closed;
#3 Normally Open



Instructions

1. Remove DIN adaptor
2. Remove small brass screw
3. Using 1/8" allen wrench adjust clockwise to increase set point/counter-clockwise to decrease set point
4. NO / NC

P563978



Adjustment screw located in center of elec. prongs

Performance Data

For a full explanation of how our performance curves were derived, see page 150.

TI25 Elements

