

Fully adjustable needle valve

Capacity:
.25 in. (6,4 mm)

Functional Group:

Products : Cartridges : Flow Control : 2 Port : Fully Adjustable Needle Valve

Model:

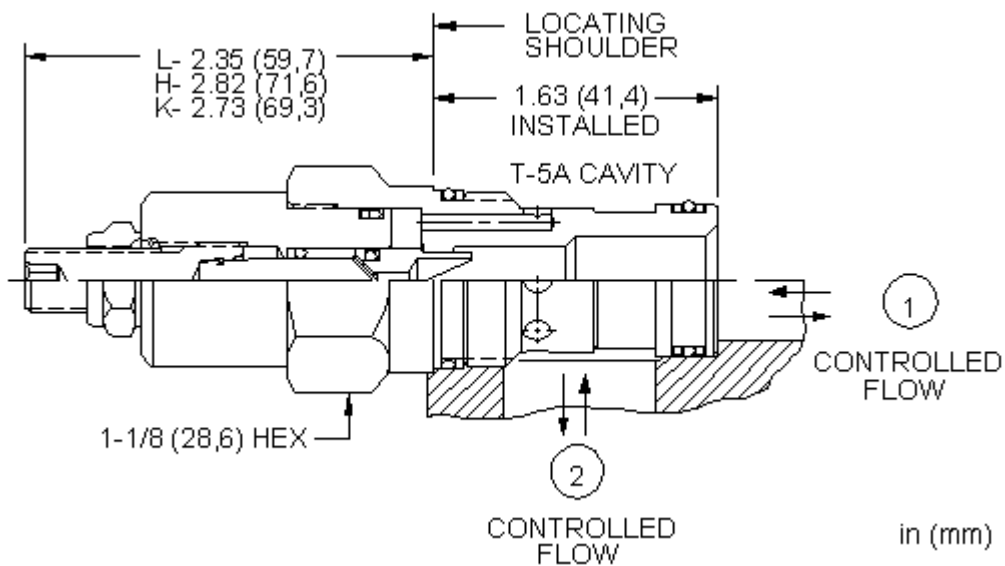
NFDC-LAV

Product Description

Needle valves are fully adjustable orifices used to regulate flow. They are infinitely adjustable from fully closed up to the maximum orifice diameter. They are not pressure-compensated. They may be used as flow controls or as shutoff valves.



[Download](#)



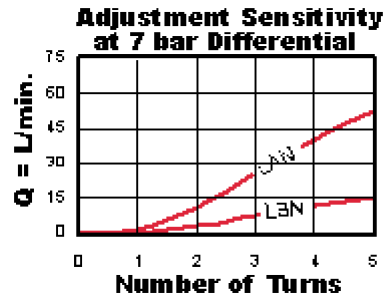
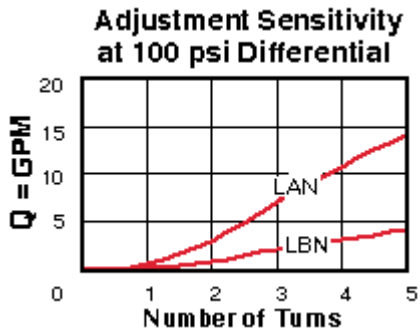
Technical Features

- All 2-port flow control cartridges are physically and functionally interchangeable (i.e. same flow path, same cavity for a given frame size). However, cartridge extension dimensions from the mounting surface may vary.
- A balanced adjustment mechanism allows for easy adjustment even at high pressures.
- The flow path through this valve is bi-directional. The preferred path is port 1 to 2, to allow interchangeability with other flow controls.
- Because needle valves are non-compensating devices, the fixed orifice size will regulate flow through the valve in proportion to the square root of the pressure differential across ports 1 and 2.
- The sharp-edged orifice design minimizes flow variations due to viscosity changes.
- There is no leakage when the adjustment mechanism is turned to the shut-off position.

Technical Data

	U.S. Units	Metric Units
Model Weight	0.58 lb.	0.26 kg.
Cavity	T-5A	
Capacity	.25 in.	6,4 mm
Adjustment - Number of Counterclockwise Turns - Fully Closed to Fully Open	5	

Maximum Operating Pressure	5000 psi	350 bar
Series (from Cavity)	Series 2	
Valve Hex Size	1 1/8 in.	28,6 mm
Valve Installation Torque	45 - 50 lbf ft	60 - 70 Nm
Adjustment Screw Hex Socket Size	5/32 in.	4 mm
Adjustment Nut Hex Size	9/16 in.	15 mm
Adjustment Nut Torque	108 lbf in.	12 Nm
Seal Kits	Buna: 990-203-007	
Seal Kits	Viton: 990-203-006	



NFDC-LAV

Control

Maximum Orifice Diameter

External Material/Seal Material

L Standard Screw Adjustment +0.00 A .25 in. (6,4 mm) +0.00 V Viton +3.50

Stainless material/seal options not available for this model

- Explanation of Sun cartridge control options - US units.
- Explanation of Sun cartridge control options - metric units.

Copyright © 2007-2008 Sun Hydraulics Corporation. All rights reserved.
 Terms and Conditions - ISO Certification - Statement of Privacy