

Fully adjustable needle valve with reverse flow check

Capacity:
.38 in. (9,7
mm)

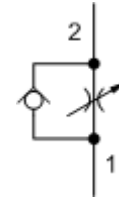
Functional Group:

Products : Cartridges : Flow Control : 2 Port : Fully Adjustable Needle Valve, With Reverse Flow Check

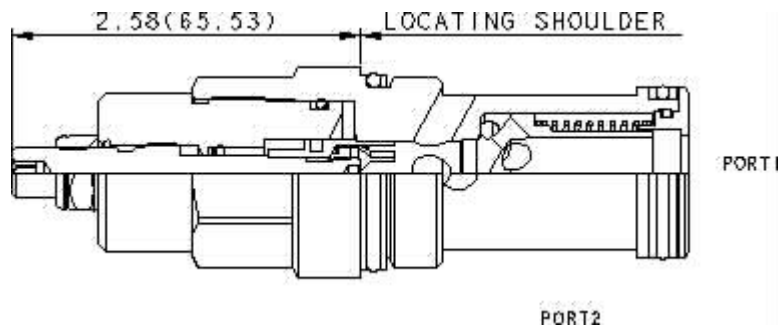
Model:
NCFB-LAN

Product Description

Needle valves with reverse-flow check are fully adjustable orifices used to regulate flow. They are infinitely adjustable from fully closed up to the maximum orifice diameter. An integral high-capacity check valve provides unrestricted flow from port 2 to port 1. They are not pressure-compensated.



[Download](#)



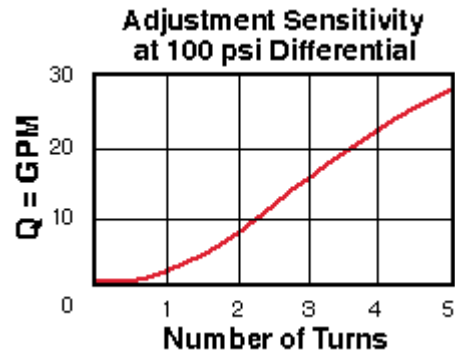
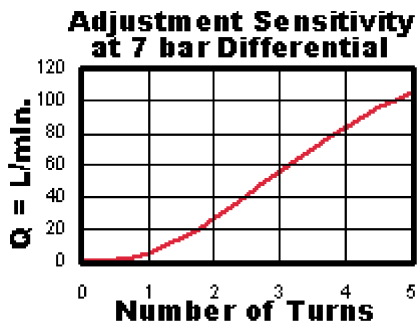
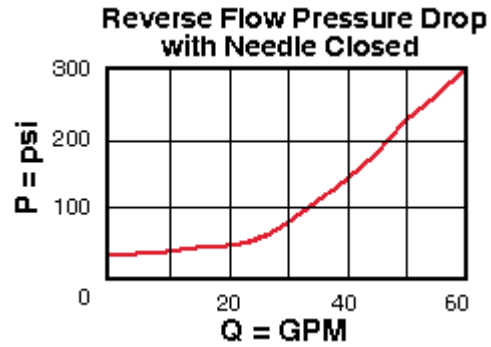
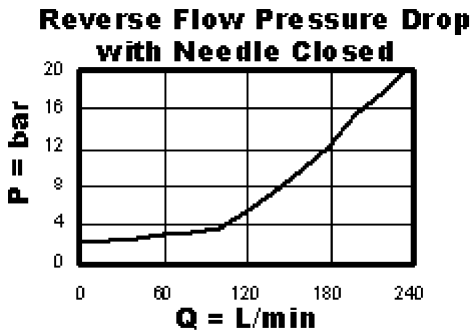
Technical Features

- All 2-port flow control cartridges are physically and functionally interchangeable (i.e. same flow path, same cavity for a given frame size). However, cartridge extension dimensions from the mounting surface may vary.
- A balanced adjustment mechanism allows for easy adjustment even at high pressures.
- Incorporates the Sun floating style construction to minimize the possibility of internal parts binding due to excessive installation torque and/or cavity/cartridge machining variations.
- Because needle valves are non-compensating devices, the fixed orifice size will regulate flow through the valve in proportion to the square root of the pressure differential across ports 1 and 2.
- The sharp-edged orifice design minimizes flow variations due to viscosity changes.

Technical Data

	U.S. Units	Metric Units
Model Weight	1.25 lb.	0.57 kg.
Cavity	T-16A	
Capacity	.38 in.	9,7 mm
Adjustment - Number of Counterclockwise Turns - Fully Closed to Fully Open	5	
Maximum Operating Pressure	5000 psi	350 bar
Maximum Valve Leakage at 110 SUS (24 cSt)	5 drops/min.	0,4 cc/min.
Series (from Cavity)	Series 3	
Valve Hex Size	1 1/4 in.	31,8 mm
Valve Installation Torque	150 - 160 lbf ft	200 - 215 Nm

Adjustment Screw Hex Socket Size	5/32 in.	4 mm
Adjustment Nut Hex Size	9/16 in.	15 mm
Adjustment Nut Torque	108 lbf in.	12 Nm
Seal Kits	Buna: 990-016-007	
Seal Kits	Viton: 990-016-006	



NCFB-LAN

Control

Reverse Flow Check

External Material/Seal Material

L Standard Screw Adjustment +0.00 A 4 psi (0,3 bar) +0.00 N Buna-N +0.00

Stainless material/seal options not available for this model

- Explanation of Sun cartridge control options - US units.
- Explanation of Sun cartridge control options - metric units.