

## Fully adjustable needle valve with reverse flow check

Capacity:  
.19 in. (4,8 mm)

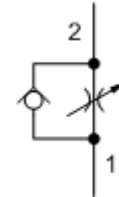
Functional Group:

Products : Cartridges : Flow Control : 2 Port : Fully Adjustable Needle Valve, With Reverse Flow Check

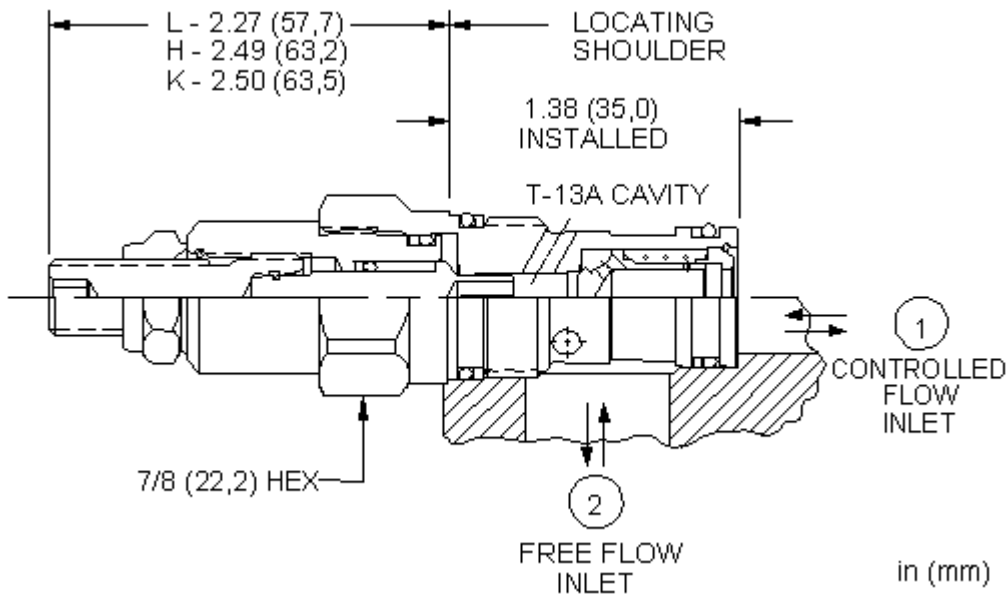
Model:  
NCCB-LAV

### Product Description

Needle valves with reverse-flow check are fully adjustable orifices used to regulate flow. They are infinitely adjustable from fully closed up to the maximum orifice diameter. An integral high-capacity check valve provides unrestricted flow from port 2 to port 1. They are not pressure-compensated.



[Download](#)



### Technical Features

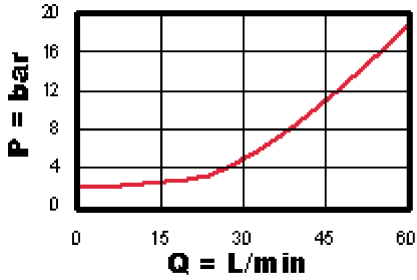
- All 2-port flow control cartridges are physically and functionally interchangeable (i.e. same flow path, same cavity for a given frame size). However, cartridge extension dimensions from the mounting surface may vary.
- The sharp-edged orifice design minimizes flow variations due to viscosity changes.
- Because needle valves are non-compensating devices, the fixed orifice size will regulate flow through the valve in proportion to the square root of the pressure differential across ports 1 and 2.

### Technical Data

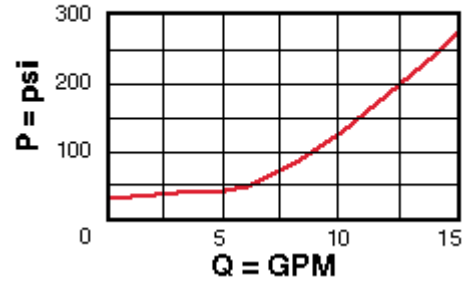
	U.S. Units	Metric Units
Model Weight	0.30 lb.	0.14 kg.
Cavity	T-13A	
Capacity	.19 in.	4,8 mm
Adjustment - Number of Counterclockwise Turns - Fully Closed to		

Fully Open	5	
Maximum Operating Pressure	5000 psi	350 bar
Maximum Valve Leakage at 110 SUS (24 cSt)	5 drops/min.	0,4 cc/min.
Series (from Cavity)	Series 1	
Valve Hex Size	7/8 in.	22,2 mm
Valve Installation Torque	30 - 35 lbf ft	45 - 50 Nm
Adjustment Screw Hex Socket Size	5/32 in.	4 mm
Adjustment Nut Hex Size	9/16 in.	15 mm
Adjustment Nut Torque	108 lbf in.	12 Nm
Seal Kits	Buna: 990-010-007	
Seal Kits	Viton: 990-010-006	

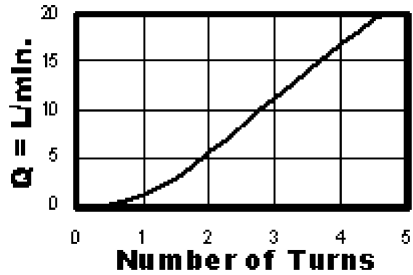
**Reverse Flow Pressure Drop with Needle Closed**



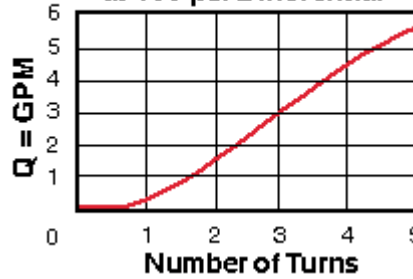
**Reverse Flow Pressure Drop with Needle Closed**



**Adjustment Sensitivity at 7 bar Differential**



**Adjustment Sensitivity at 100 psi Differential**



NCCB-LAV

Control

Reverse Flow Check

External Material/Seal Material

L Standard Screw Adjustment +0.00 A 4 psi (0,3 bar) +0.00 V Viton +3.50

Stainless material/seal options not available for this model

- Explanation of Sun cartridge control options - US units.
- Explanation of Sun cartridge control options - metric units.

