

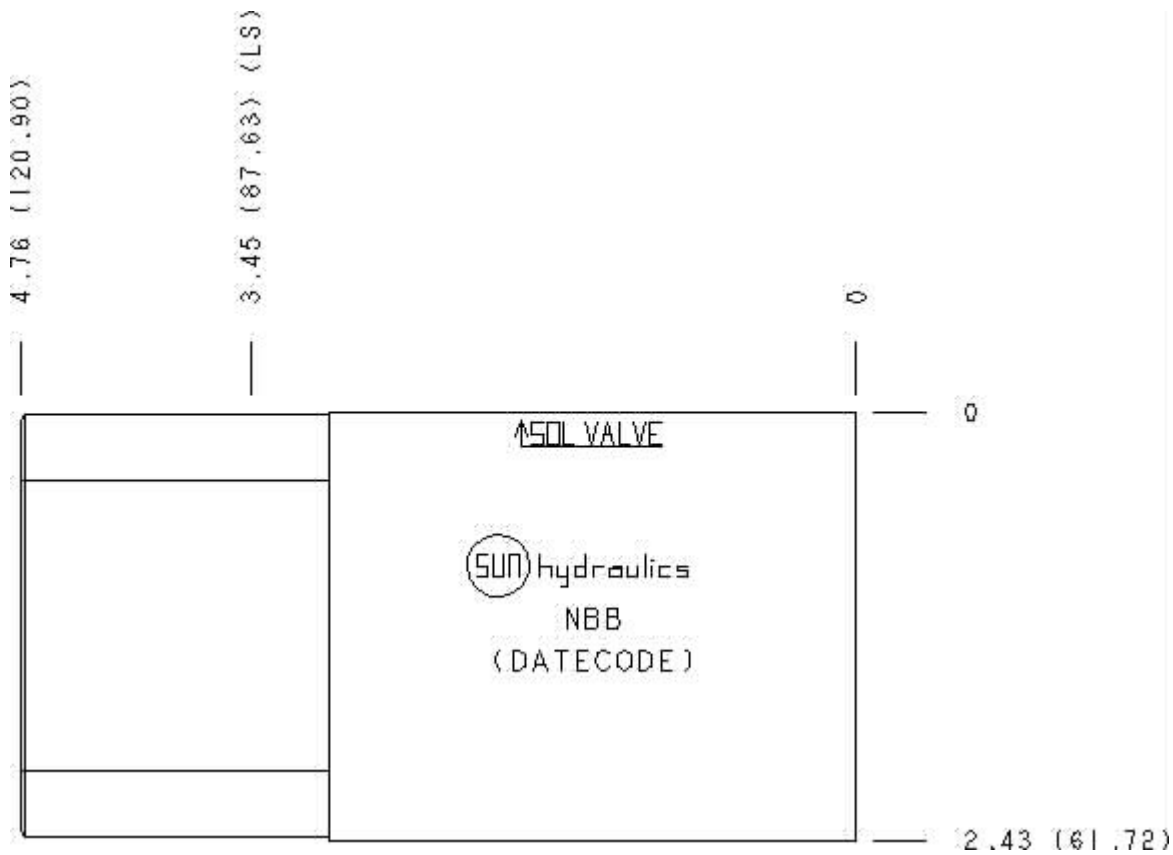
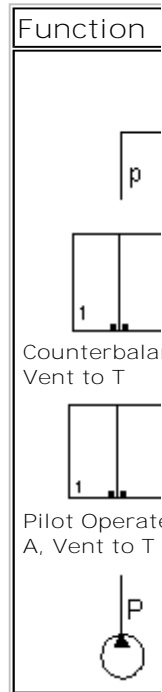
Functional Group:

Model:

Products : Manifolds : Sandwich : Counterbalance : ISO 05 : On B, port 3 to A and port 4 to T

NBB

Face : 6



Cartridge extension measurement is to the centerline of the cartridge.

Aluminum Body Pressure Rating: **3000 psi (210 bar)**

Ductile Iron Body Pressure Rating: **5000 psi (350 bar)**

Technical Data

	U.S. Units	Metric Units
Model Weight	2.37 lb.	1.08 kg.
Cavity	T-22A	
Body Features	On B, port 3 to A and port 4 to T	
Body Type	Sandwich	
Interface	ISO 05	
Open Cavity Quantity	1	
Stack Height	2.49 in.	63 mm

Option Selection:

Model Code	Description
NBB	Aluminum, Buna-N, U.S. Units
NBB/S	Ductile Iron, Buna-N, U.S. Units
NBB/V	Aluminum, Viton, U.S. Units
NBB/Y	Ductile Iron, Viton, U.S. Units

Special Notes :

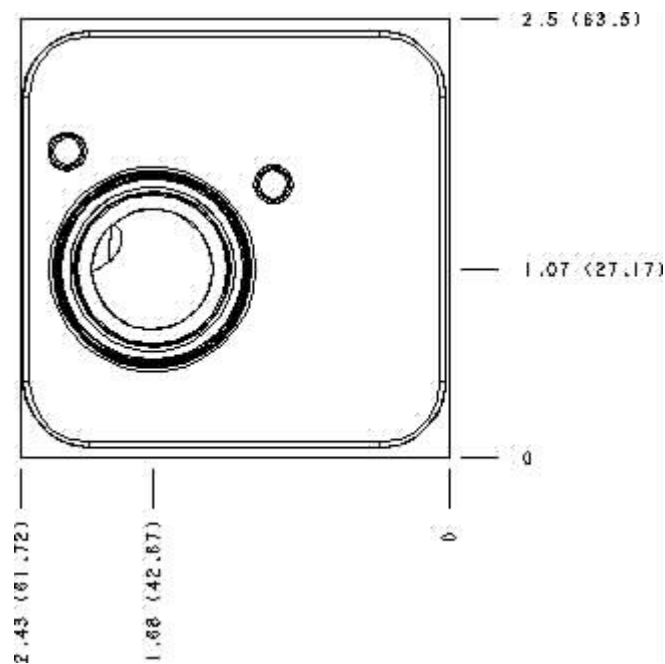
No Special Notes available for selected Model.



Functional Group:
Products : Manifolds : Sandwich : Counterbalance : ISO 05 : On B, port 3 to A
and port 4 to T

Model:
NBB

Face : 1

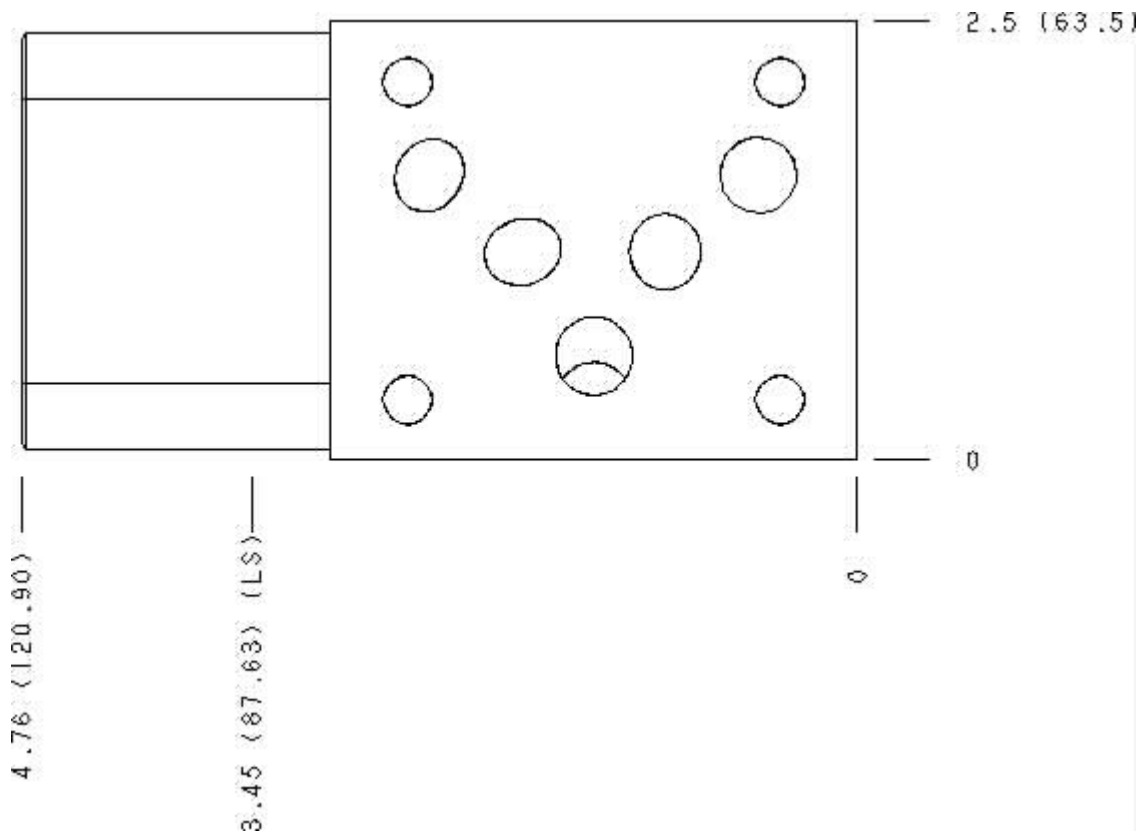


Cartridge extension measurement is to the centerline of the cartridge.

Functional Group:
 Products : Manifolds : Sandwich : Counterbalance : ISO 05 : On B, port 3 to A
 and port 4 to T

Model:
 NBB

Face : 2

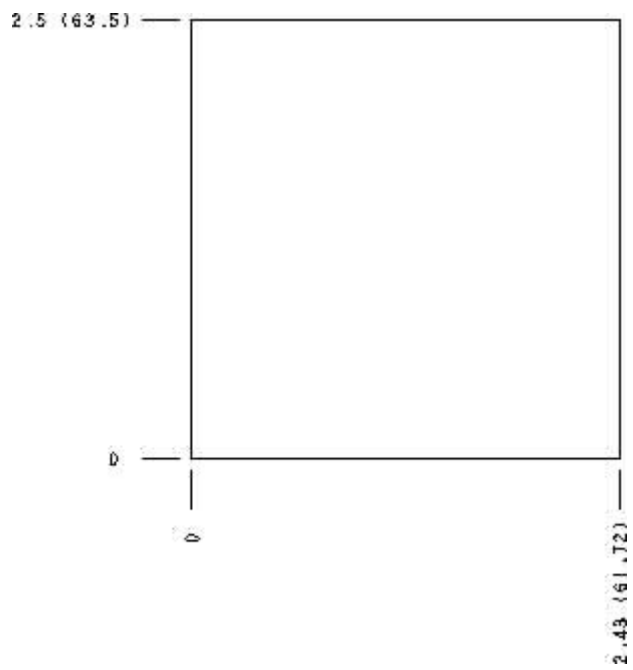


Cartridge extension measurement is to the centerline of the cartridge.

Functional Group:
 Products : Manifolds : Sandwich : Counterbalance : ISO 05 : On B, port 3 to A
 and port 4 to T

Model:
 NBB

Face : 3



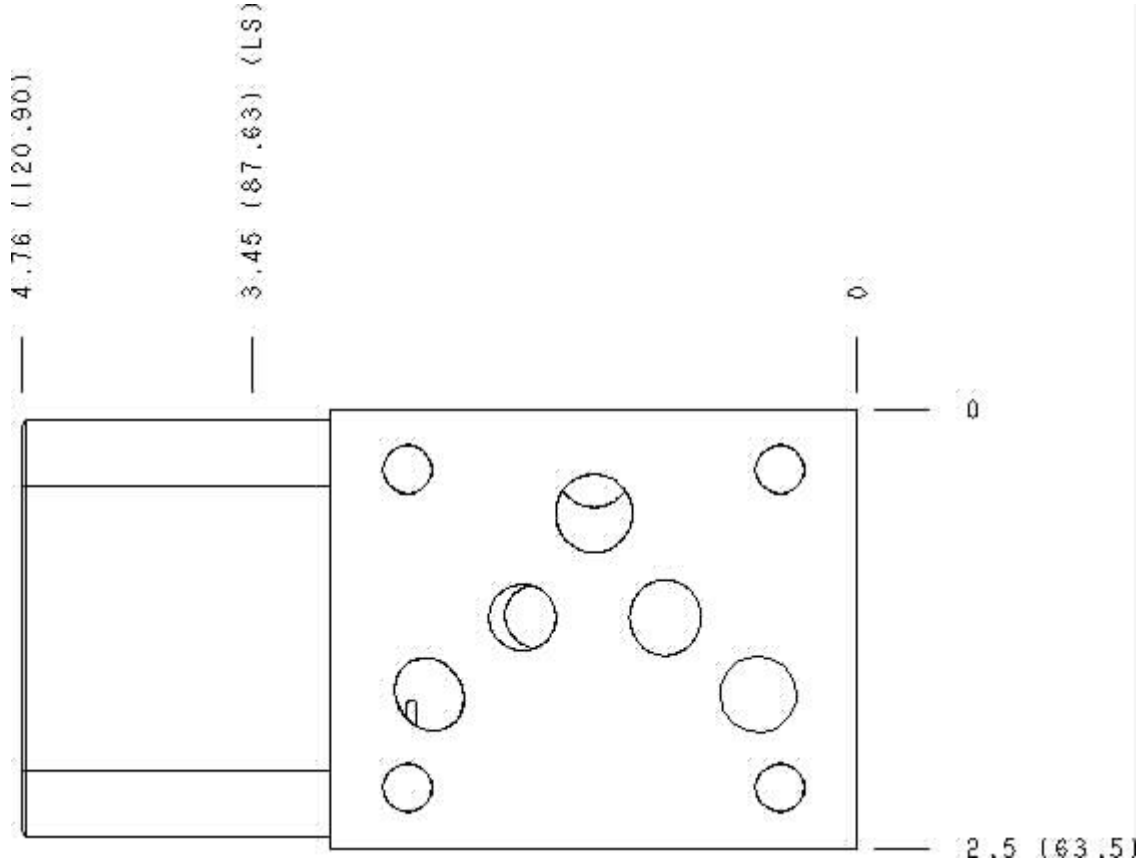
Cartridge extension measurement is to the centerline of the cartridge.



Functional Group:
Products : Manifolds : Sandwich : Counterbalance : ISO 05 : On B, port 3 to A
and port 4 to T

Model:
NBB

Face : 10



Cartridge extension measurement is to the centerline of the cartridge.



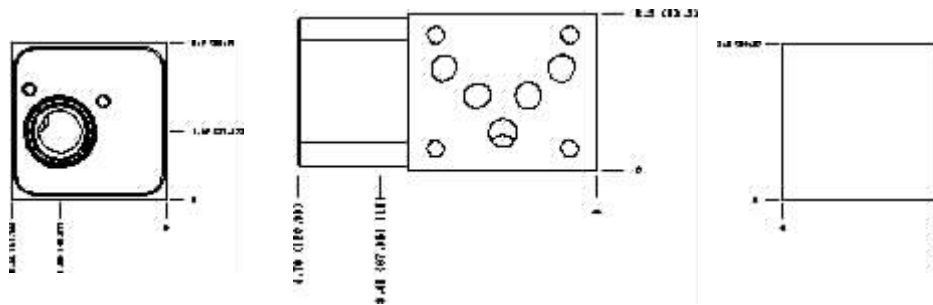
Functional Group:

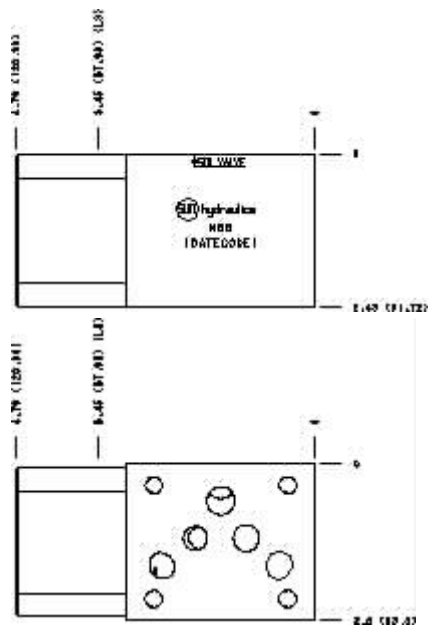
Products : Manifolds : Sandwich : Counterbalance : ISO
 05 : On B, port 3 to A and port 4 to T

Model:
 NBB

Projection Type

All Dimensions in Inches(mm)





Copyright © 2007-2008 Sun Hydraulics Corporation.
All rights reserved.

[Terms and Conditions](#) - [Statement of Privacy](#)