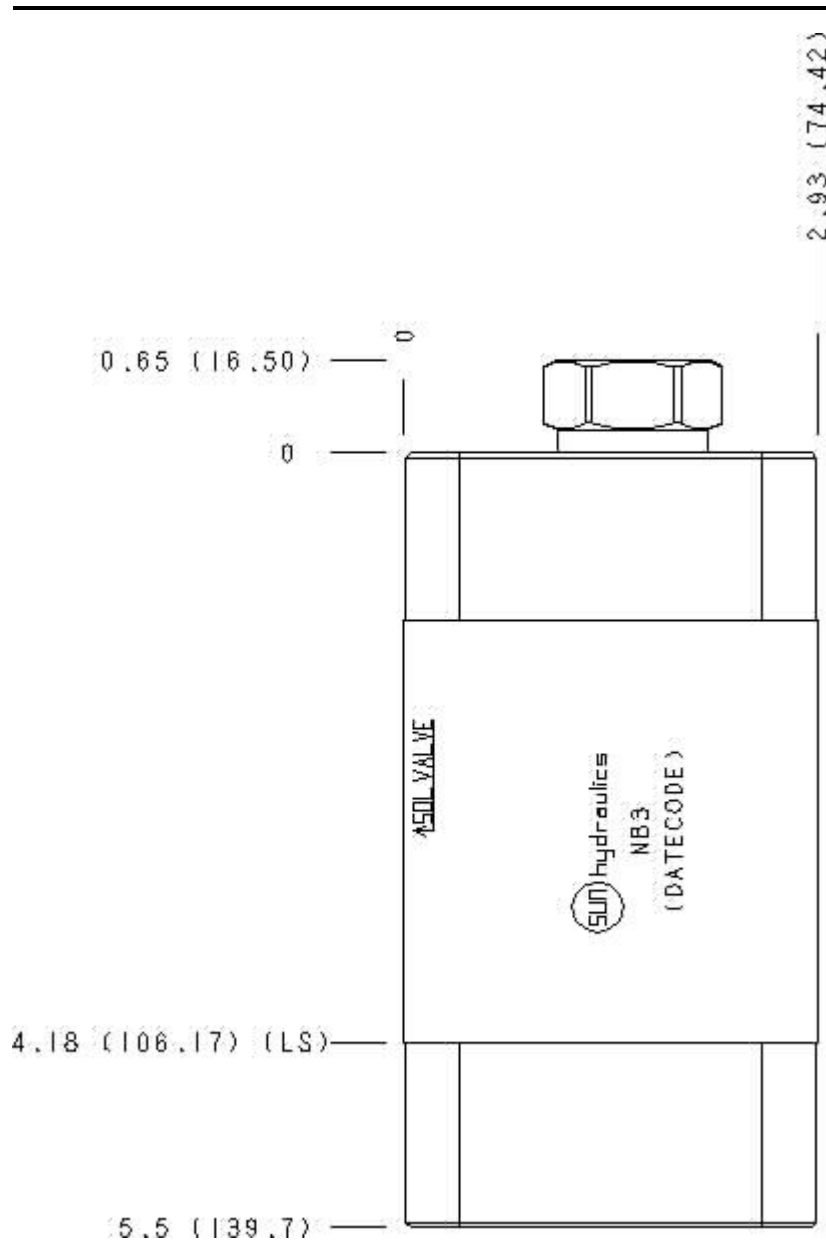


Functional Group:

Model:

Products : Manifolds : Sandwich : Reducing/Relieving : ISO 05 : On B, tank to T with reverse flow check, external vent **NB3**

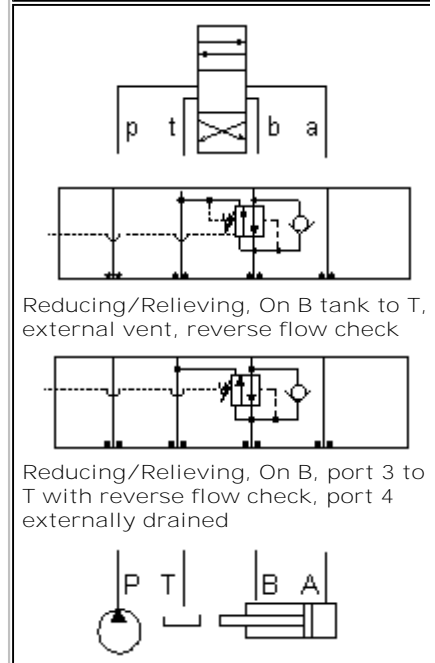
Face : 6



Cartridge extension measurement is to the centerline of the cartridge.

Aluminum Body Pressure Rating: **3000 psi (210 bar)**  
 Ductile Iron Body Pressure Rating: **5000 psi (350 bar)**

Function



Port Headings and Sizes:

External Port

External Port

## Technical Data

	<b>U.S. Units</b>	<b>Metric Units</b>
<b>Model Weight</b>	3.61 lb.	1.64 kg.
<b>Cavity</b>	T-22A	
<b>Body Features</b>	Reducer/reliever on B with reverse flow check and port 4 external	
<b>Body Type</b>	Sandwich	
<b>Interface</b>	ISO 05	
<b>Open Cavity Quantity</b>	1	
<b>Stack Height</b>	2.99 in.	76 mm

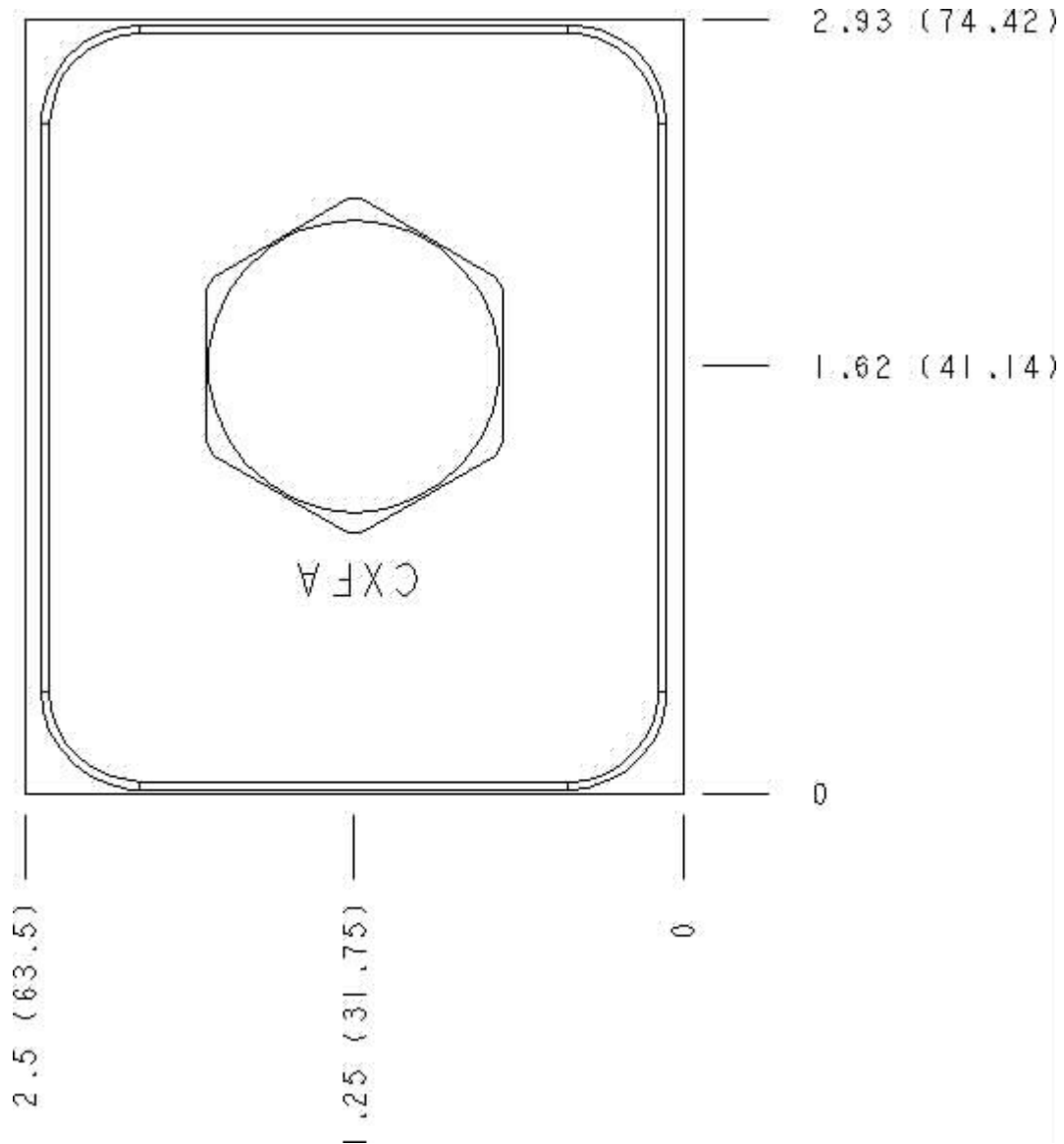
## Option Selection:

Model Code	Description
NB3	Aluminum, Buna-N, U.S. Units
NB3/M	Aluminum, Buna-N, Metric
NB3/S	Ductile Iron, Buna-N, U.S. Units
NB3/T	Ductile Iron, Buna-N, Metric
NB3/V	Aluminum, Viton, U.S. Units
NB3/W	Ductile Iron, Viton, Metric
NB3/Y	Ductile Iron, Viton, U.S. Units
NB3/Z	Aluminum, Viton, Metric

## Special Notes :

No Special Notes available for selected Model.



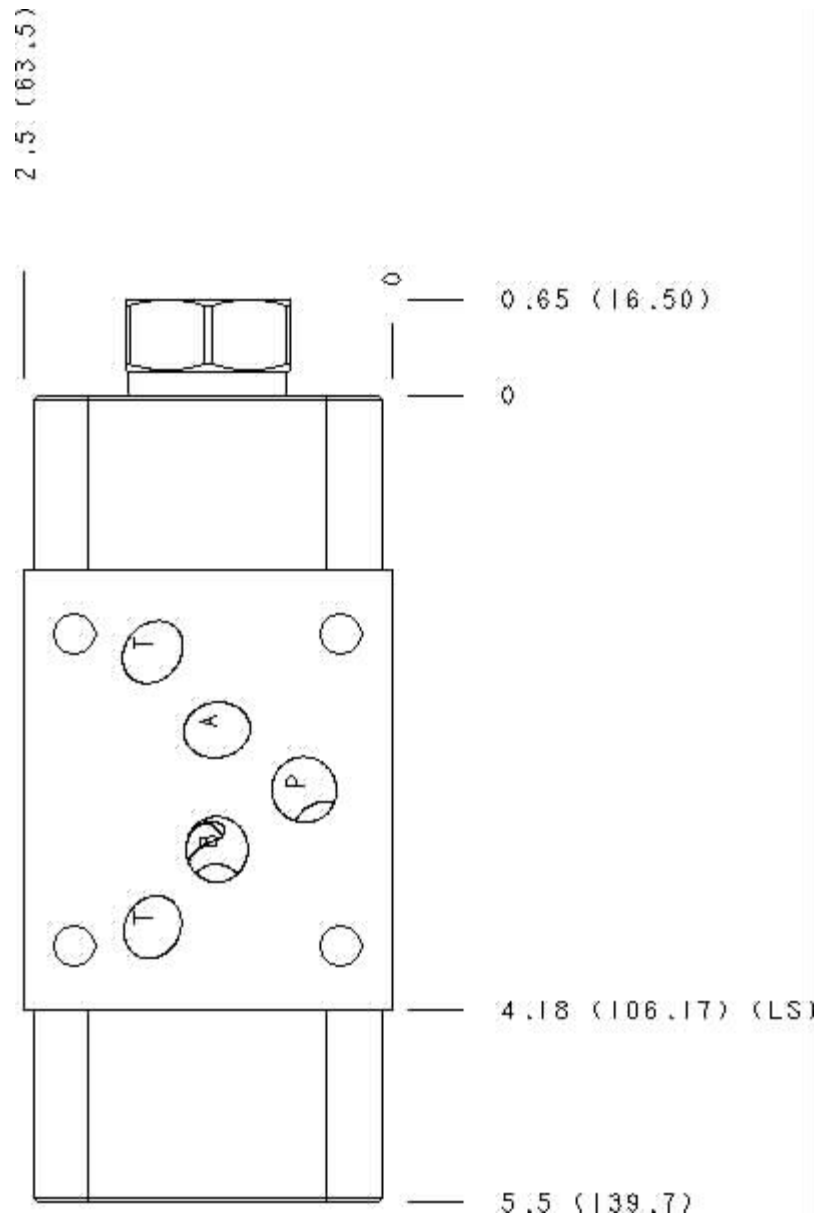


Cartridge extension measurement is to the centerline of the cartridge.



Functional Group:  
Products : Manifolds : Sandwich : Reducing/Relieving : ISO 05 : On B, tank to T with reverse flow check, external vent

Model:  
NB3



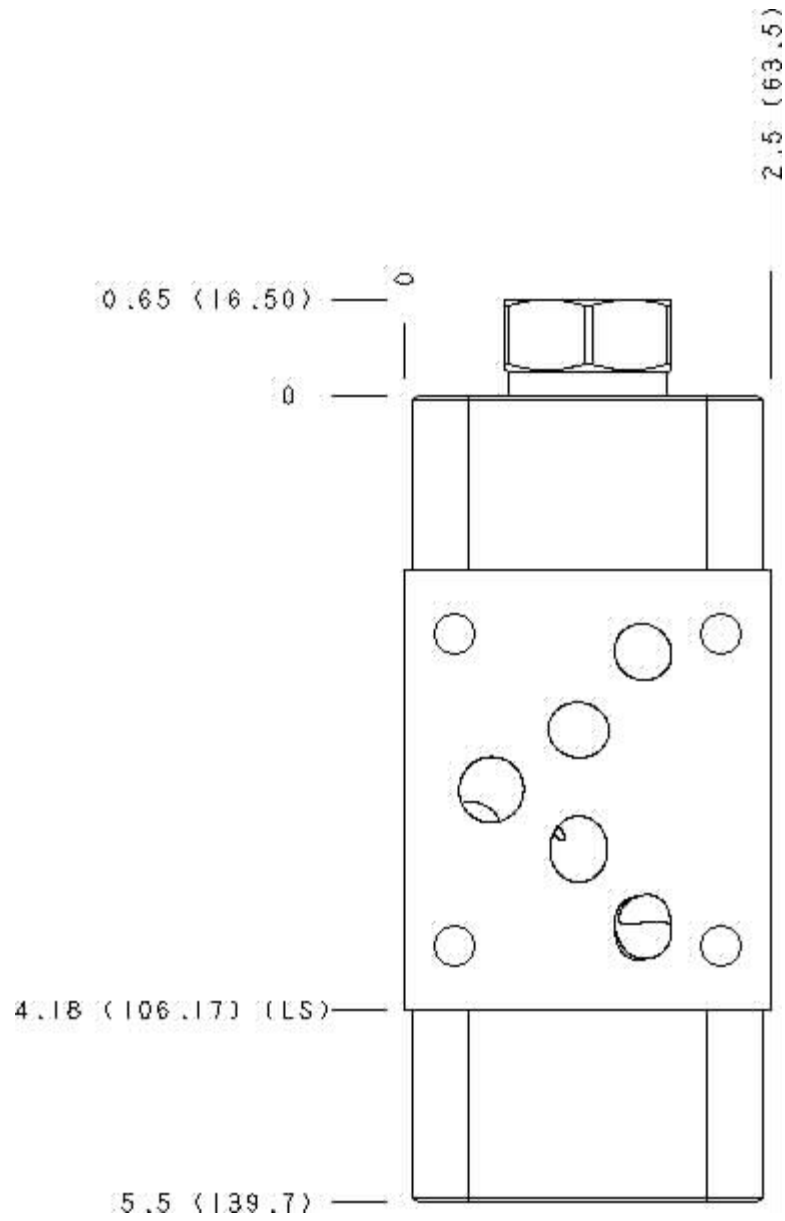
Cartridge extension measurement is to the centerline of the cartridge.



Functional Group:  
 Products : Manifolds : Sandwich : Reducing/Relieving : ISO 05 : On B, tank to  
 T with reverse flow check, external vent

Model:  
 NB3

Face : 7



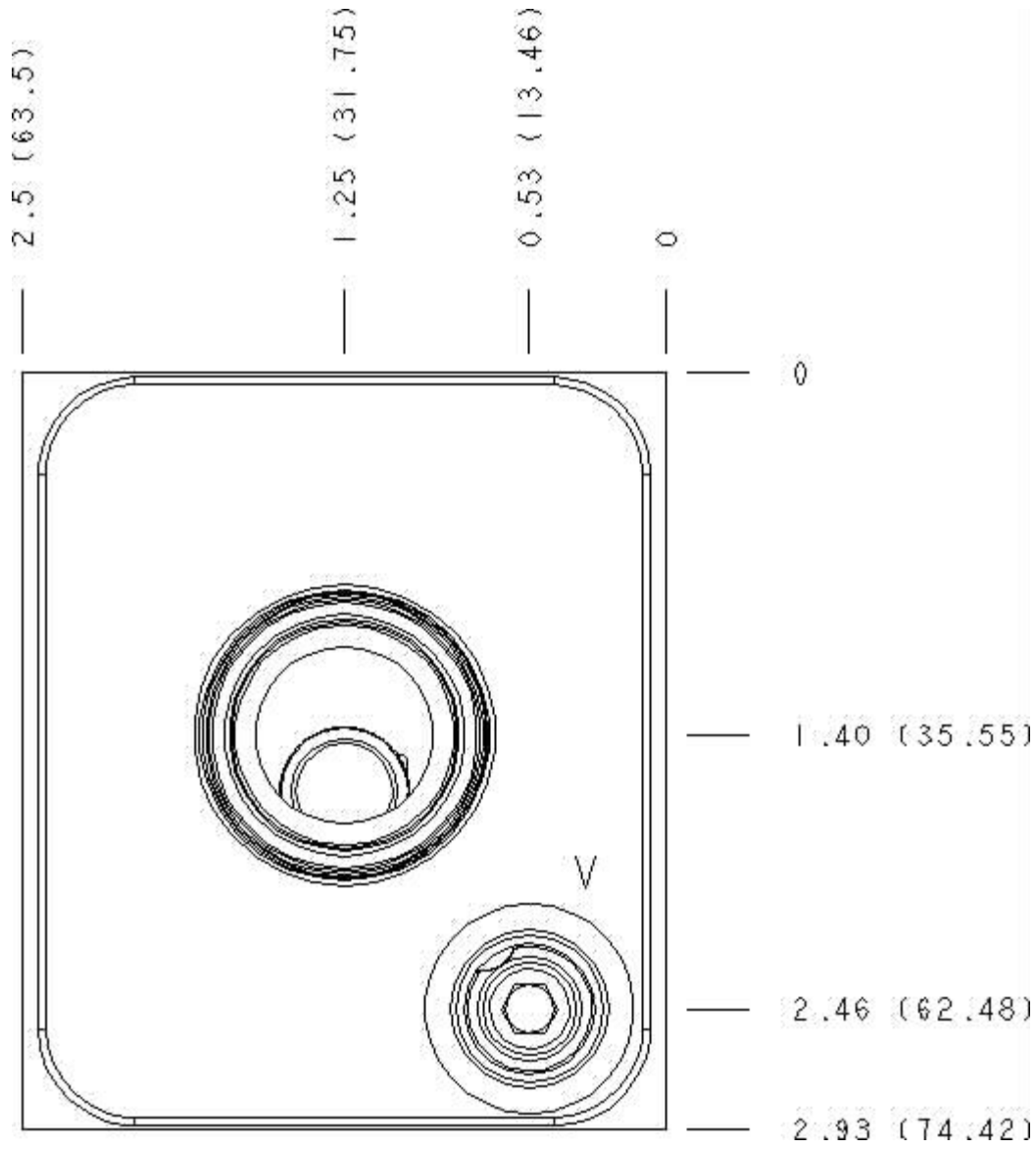
Cartridge extension measurement is to the centerline of the cartridge.



Functional Group:  
 Products : Manifolds : Sandwich : Reducing/Relieving : ISO 05 : On B, tank to  
 T with reverse flow check, external vent

Model:  
 NB3

Face : 9



Cartridge extension measurement is to the centerline of the cartridge.



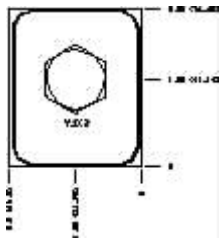
Functional Group:

Products : Manifolds : Sandwich : Reducing/Relieving :  
 ISO 05 : On B, tank to T with reverse flow check,  
 external vent

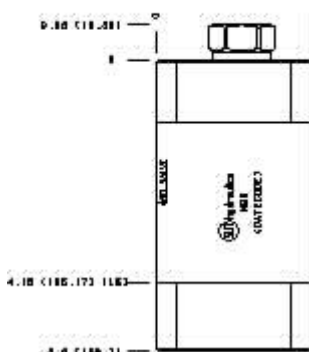
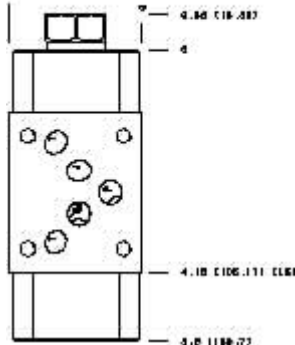
Model:  
 NB3

Projection Type 

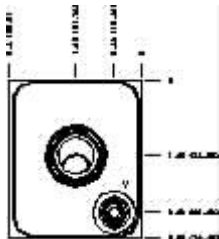
All Dimensions in Inches(mm)



2.00 (114.30)



2.00 (114.30)



Copyright © 2007-2008 Sun Hydraulics Corporation.  
All rights reserved.

[Terms and Conditions](#) - [Statement of Privacy](#)