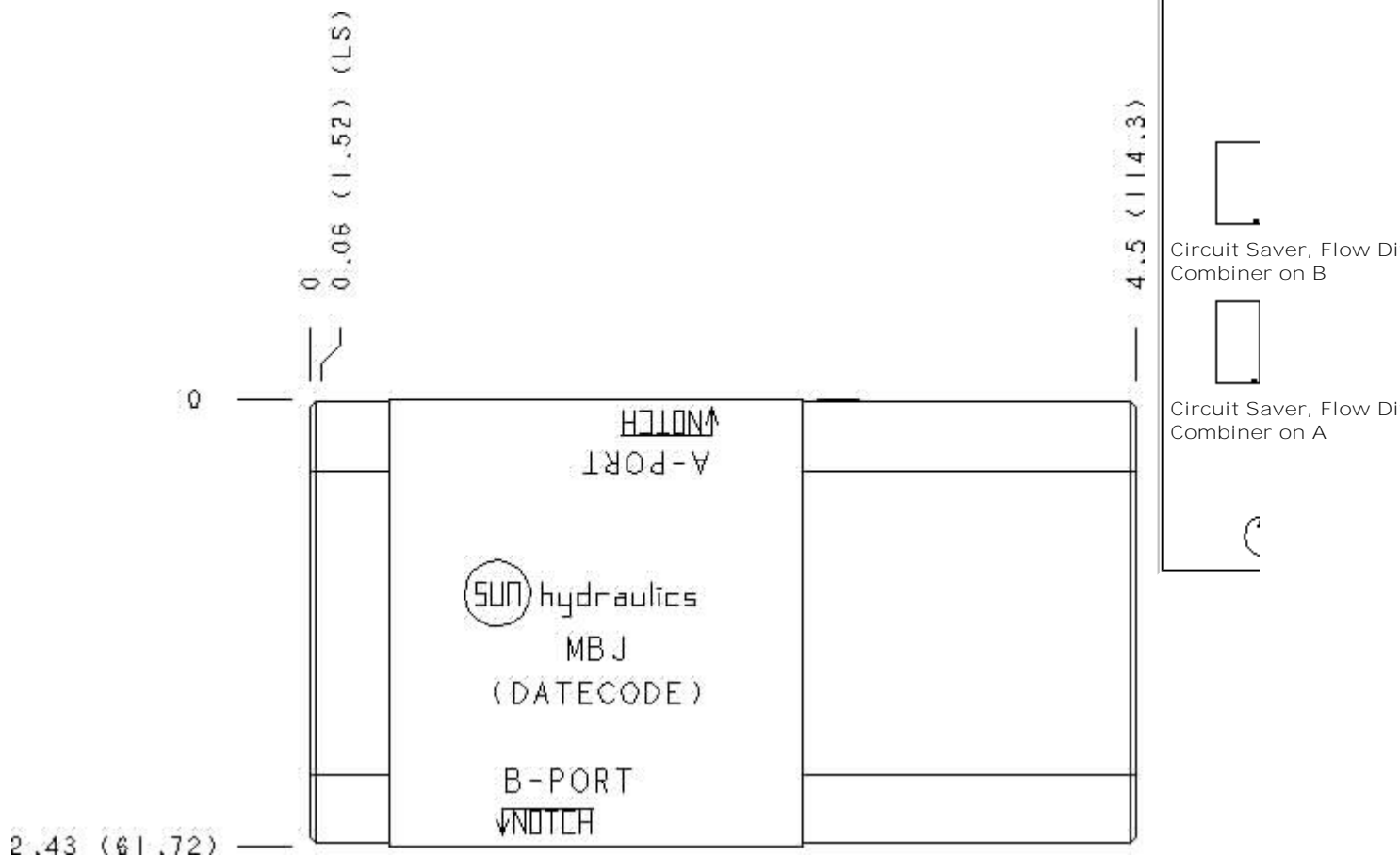


Functional Group:
 Products : Manifolds : Sandwich : Flow Divider : ISO 03 : On A

Model:
 MBJ

Face : 6

Function



Cartridge extension measurement is to the centerline of the cartridge.

Aluminum Body Pressure Rating: **3000 psi (210 bar)**
 Ductile Iron Body Pressure Rating: **5000 psi (350 bar)**

Port Headings and Sizes:

Ports 2 & 4
 1/4" BSPP

Ports 2 & 4
 SAE 6

Technical Data

	U.S. Units	Metric Units
Model Weight	1.51 lb.	0.68 kg.
Cavity	T-31A	
Body Features	On A or B	

Body Type	Sandwich	
Interface	ISO 03	
Open Cavity Quantity	1	
Stack Height	2.49 in.	63 mm

Option Selection:

Model Code	Description
MBJ	Aluminum, Buna-N, U.S. Units
MBJ/M	Aluminum, Buna-N, Metric
MBJ/S	Ductile Iron, Buna-N, U.S. Units
MBJ/T	Ductile Iron, Buna-N, Metric
MBJ/V	Aluminum, Viton, U.S. Units
MBJ/W	Ductile Iron, Viton, Metric
MBJ/Y	Ductile Iron, Viton, U.S. Units
MBJ/Z	Aluminum, Viton, Metric

Special Notes :

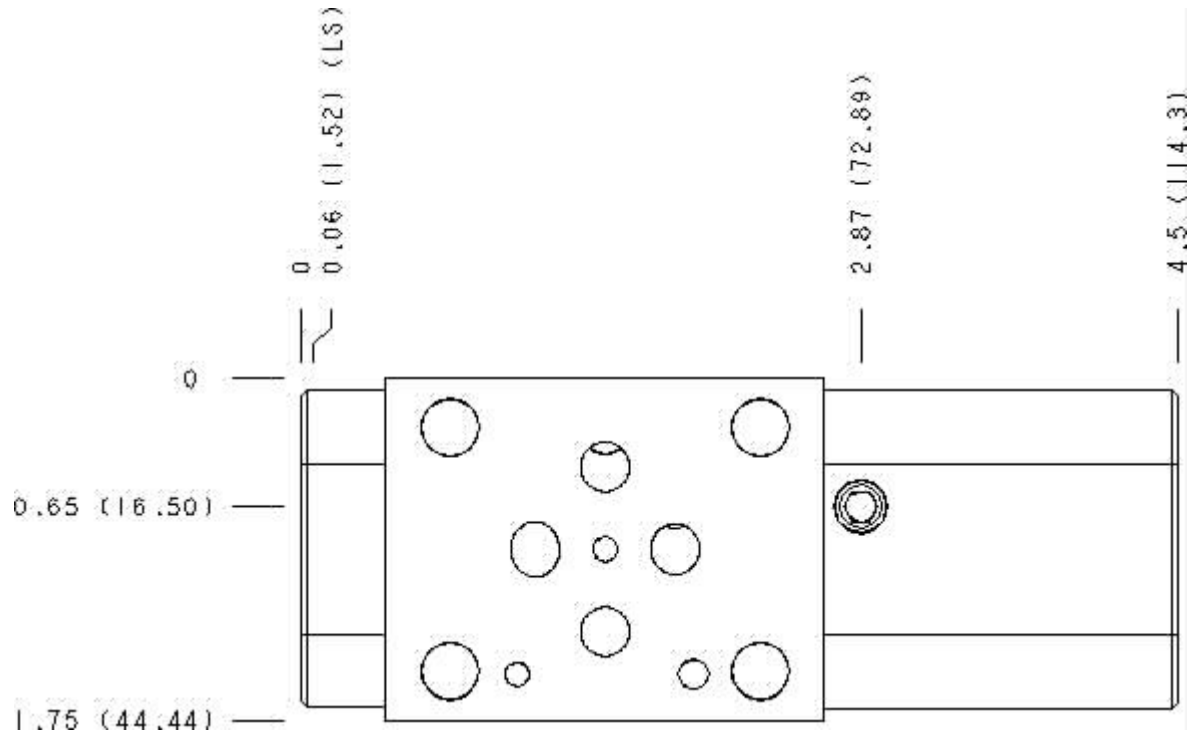
No Special Notes available for selected Model.



Functional Group:
Products : Manifolds : Sandwich : Flow Divider : ISO 03 : On A

Model:
MBJ

Face : 2



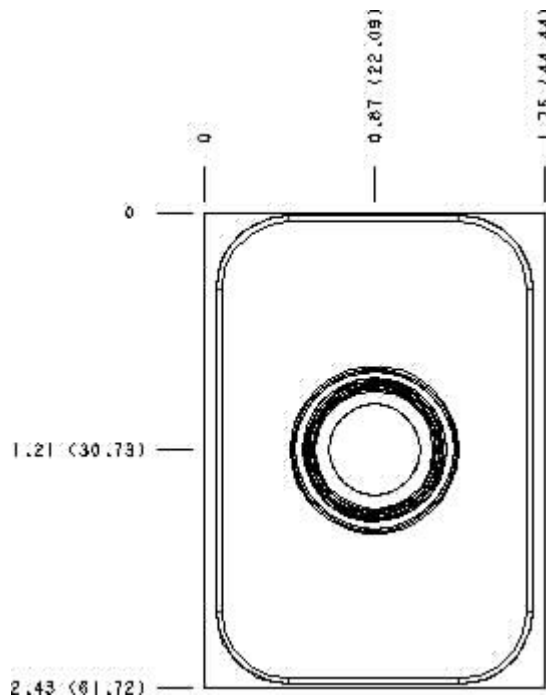
Cartridge extension measurement is to the centerline of the cartridge.



Functional Group:
 Products : Manifolds : Sandwich : Flow Divider : ISO 03 : On A

Model:
 MBJ

Face : 5

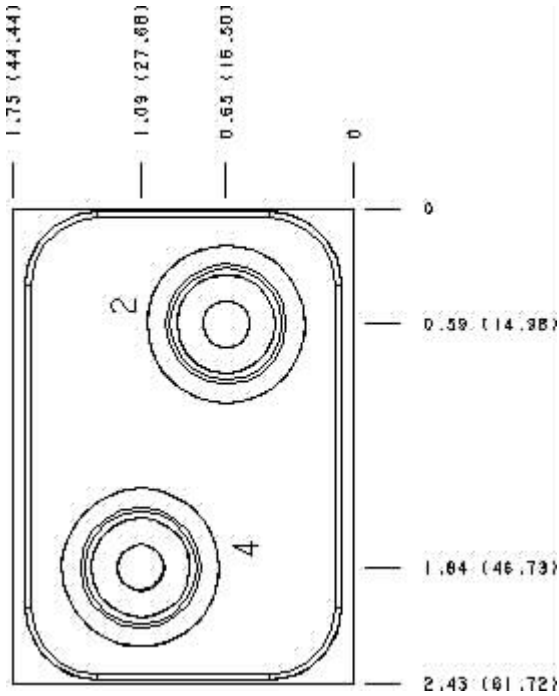


Cartridge extension measurement is to the centerline of the cartridge.

Functional Group:
Products : Manifolds : Sandwich : Flow Divider : ISO 03 : On A

Model:
MBJ

Face : 7

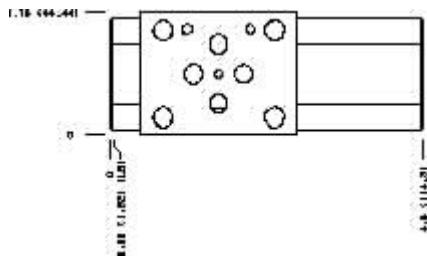


Cartridge extension measurement is to the centerline of the cartridge.

Functional Group:
Products : Manifolds : Sandwich : Flow Divider : ISO 03 : On A

Model:
MBJ

Face : 10



Copyright © 2007-2008 Sun Hydraulics Corporation.
All rights reserved.

[Terms and Conditions](#) - [Statement of Privacy](#)