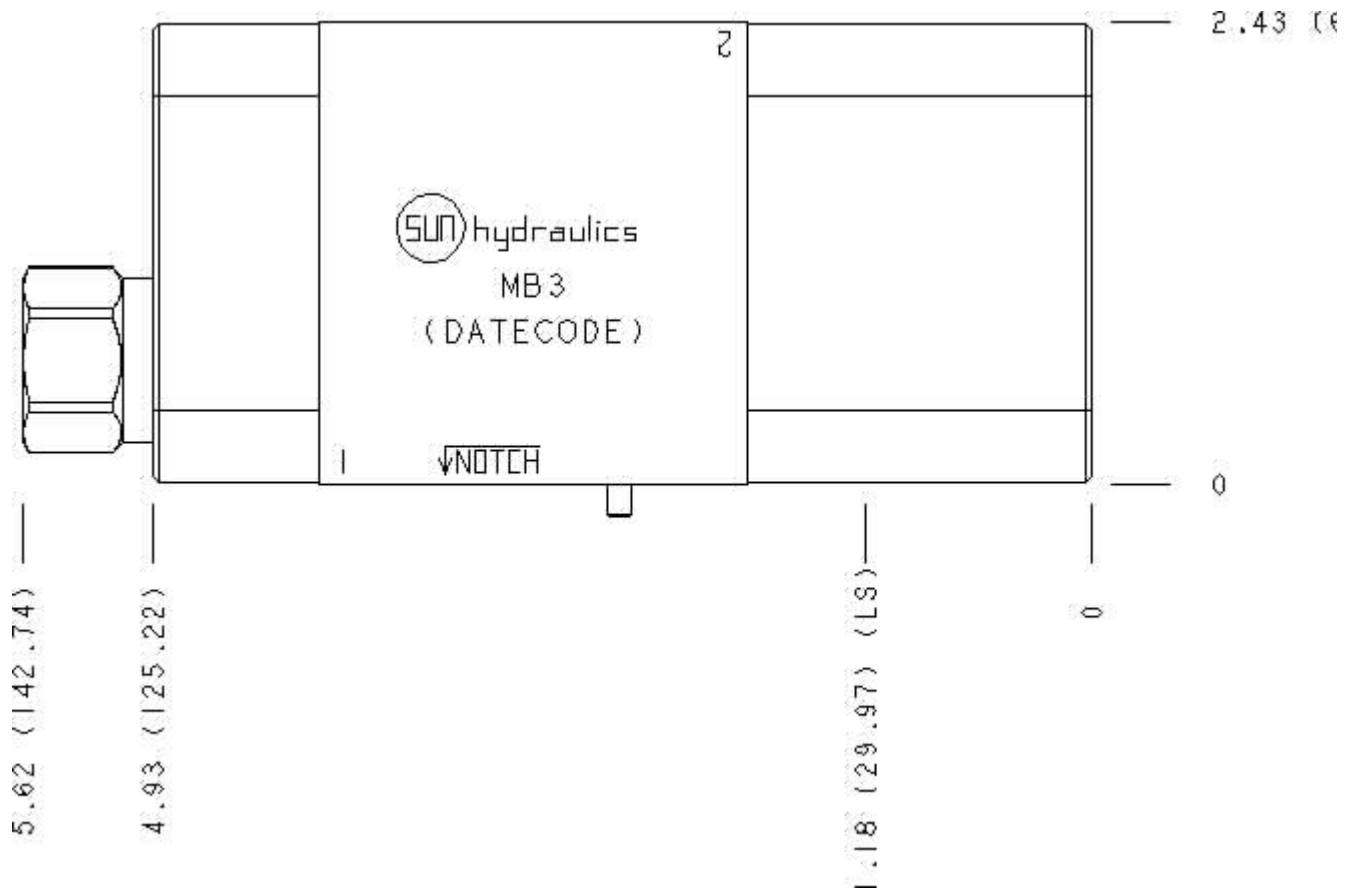


Functional Group:

Model:

Products : Manifolds : Sandwich : Reducing/Relieving : ISO 03 : On B, tank to T with reverse flow check MB3

Face : 8



Cartridge extension measurement is to the centerline of the cartridge.

Aluminum Body Pressure Rating: **3000 psi (210 bar)**

Ductile Iron Body Pressure Rating: **5000 psi (350 bar)**

#### Technical Data

	U.S. Units	Metric Units
<b>Model Weight</b>	1.87 lb.	0.85 kg.
<b>Cavity</b>	T-21A	
<b>Body Features</b>	Reducer/reliever on B with reverse flow check and port 4 external	
<b>Body Type</b>	Sandwich	
<b>Interface</b>	ISO 03	
<b>Open Cavity Quantity</b>	1	
<b>Stack Height</b>	1.75 in.	44,5 mm

---

Option Selection:

Model Code	Description
MB3	Aluminum, Buna-N, U.S. Units
MB3/M	Aluminum, Buna-N, Metric
MB3/S	Ductile Iron, Buna-N, U.S. Units
MB3/T	Ductile Iron, Buna-N, Metric
MB3/V	Aluminum, Viton, U.S. Units
MB3/W	Ductile Iron, Viton, Metric
MB3/Y	Ductile Iron, Viton, U.S. Units
MB3/Z	Aluminum, Viton, Metric

---

Special Notes :

No Special Notes available for selected Model.

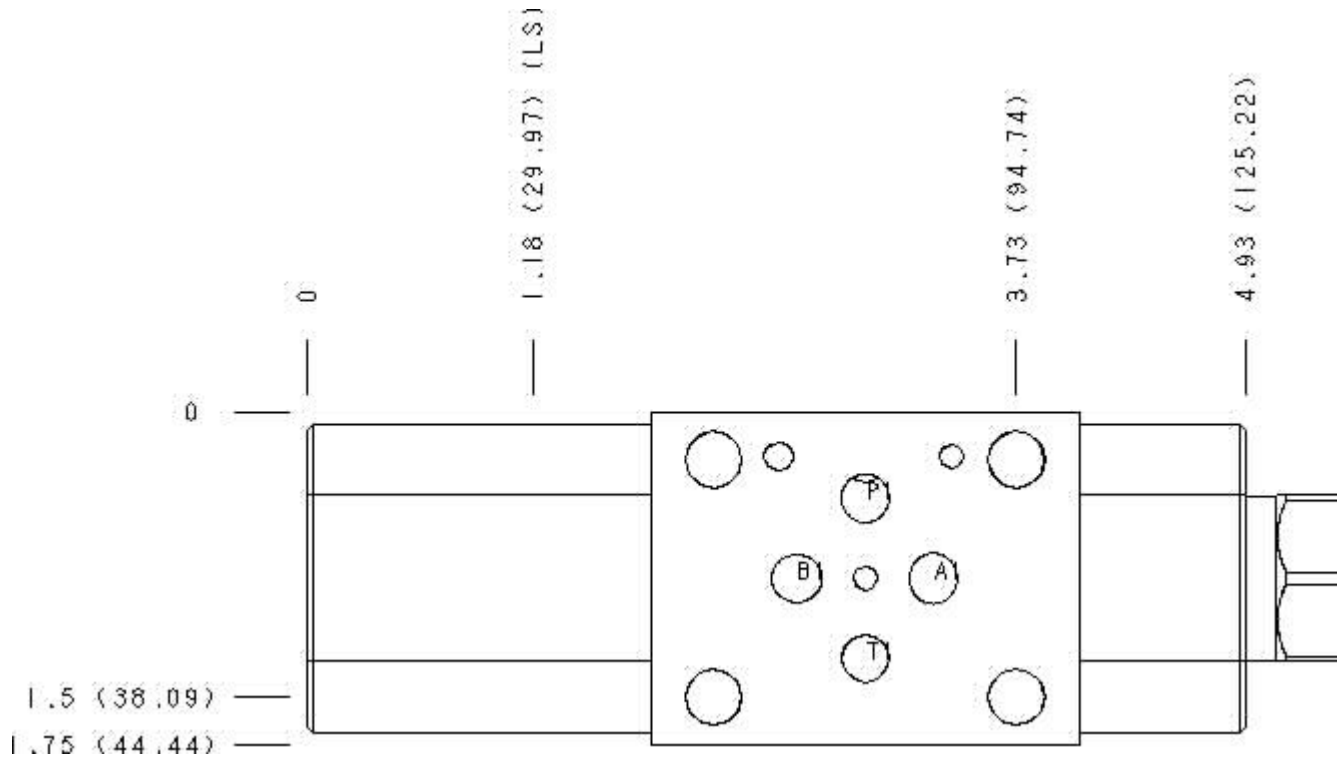


Functional Group:  
Products : Manifolds : Sandwich : Reducing/Relieving : ISO 03 : On B, tank to  
T with reverse flow check

Model:  
MB3

Face : 2

---



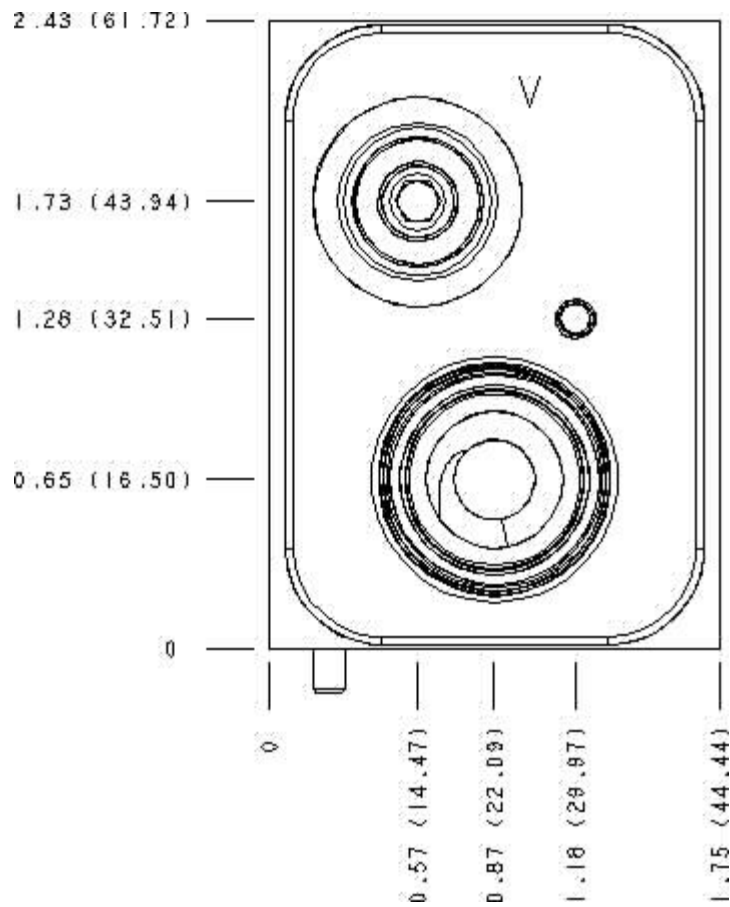
Cartridge extension measurement is to the centerline of the cartridge.



Functional Group:  
 Products : Manifolds : Sandwich : Reducing/Relieving : ISO 03 : On B, tank to  
 T with reverse flow check

Model:  
 MB3

Face : 5



Cartridge extension measurement is to the centerline of the cartridge.

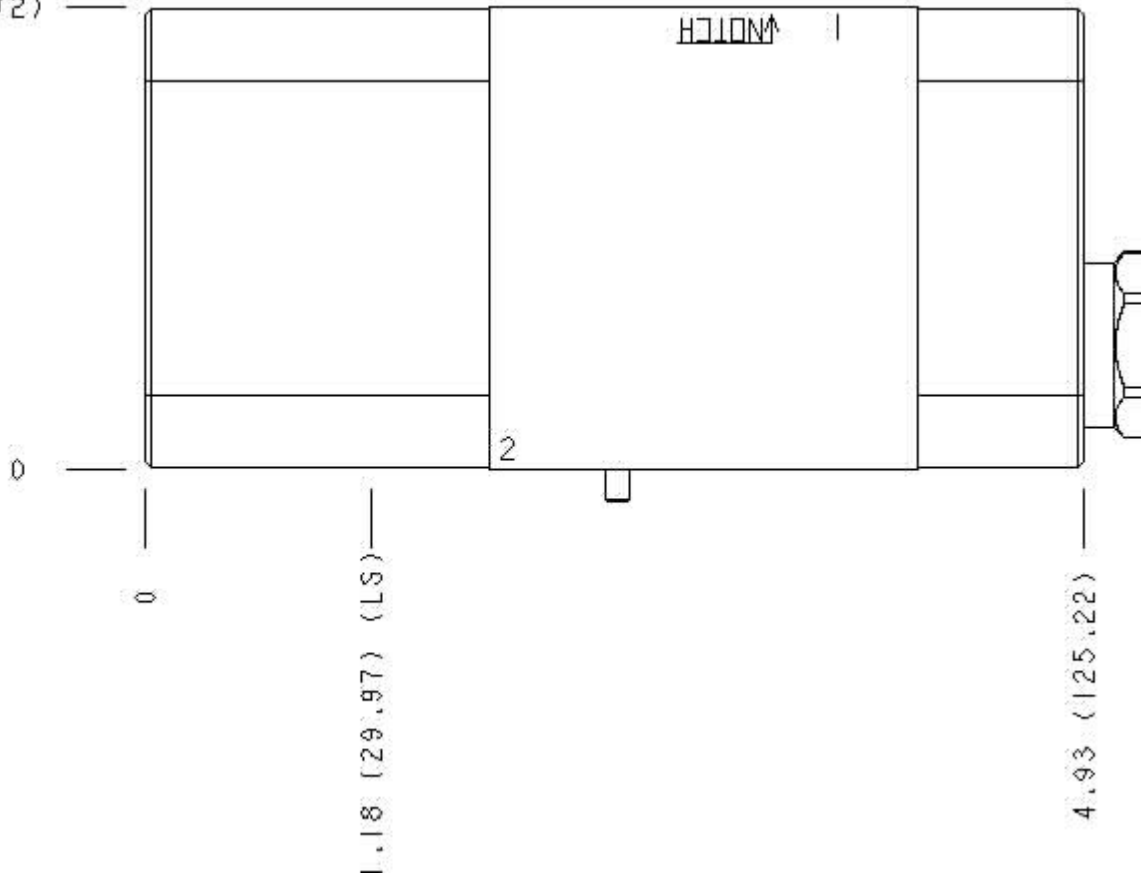


Functional Group:  
 Products : Manifolds : Sandwich : Reducing/Relieving : ISO 03 : On B, tank to T with reverse flow check

Model:  
 MB3

Face : 6

2.43 (61.72)



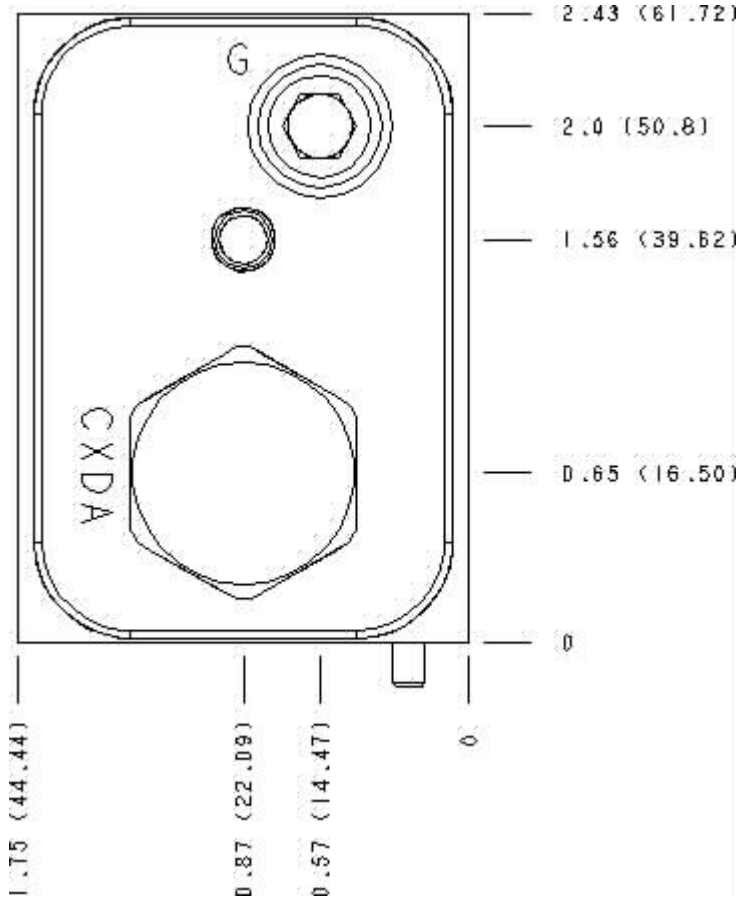
Cartridge extension measurement is to the centerline of the cartridge.



Functional Group:  
Products : Manifolds : Sandwich : Reducing/Relieving : ISO 03 : On B, tank to  
T with reverse flow check

Model:  
MB3

Face : 7



Cartridge extension measurement is to the centerline of the cartridge.

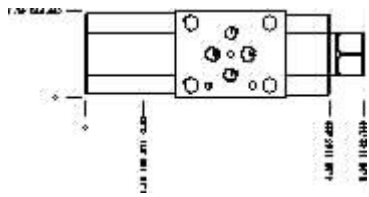


Functional Group:  
 Products : Manifolds : Sandwich : Reducing/Relieving : ISO 03 : On B, tank to  
 T with reverse flow check

Model:  
 MB3

Face : 10





---

Copyright © 2007-2008 Sun Hydraulics Corporation.  
All rights reserved.

[Terms and Conditions](#) - [Statement of Privacy](#)