

**TECHNICAL DATA**

Body Type	Line mount
Interface	None
Body Features	Ninety degree
Mounting Hole Diameter	.28 in.
Mounting Hole Depth	Through
Mounting Hole Quantity	2
Open Cavities	1
Cavity	T-163A
Port Size	SAE 6
Model Weight	0.40 lb.

**NOTES**

**Important:** Carefully consider the maximum system pressure. The pressure rating of the manifold is dependent on the manifold material, with the port type/size a secondary consideration. Manifolds constructed of aluminum are not rated for pressures higher than 3000 psi (210 bar), regardless of the port type/size specified.

**PORT DESIGNATORS**

Modifiers	Ports
JCI	Ports 1 & 2: SAE 6; Port 3: SAE 4;

**CONFIGURATION OPTIONS**

Model Code Example: JCI

**MODIFIER**

- 6061-T651 Aluminum, Buna-N
- IS 65-45-12 Ductile Iron, Buna-N, Blackened

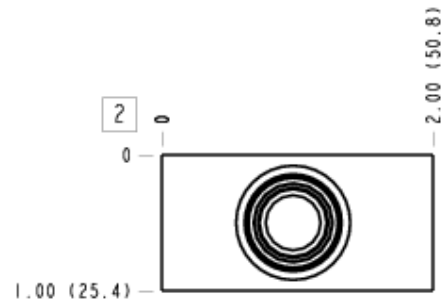
**MANIFOLD FACES**

**FACE GRID**

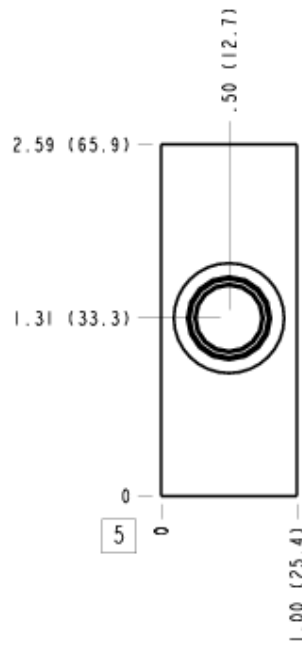


5	6	7	8
9	10	11	12

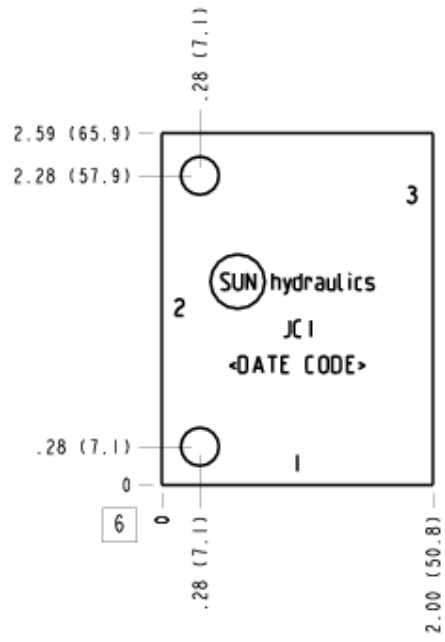
### Face 2



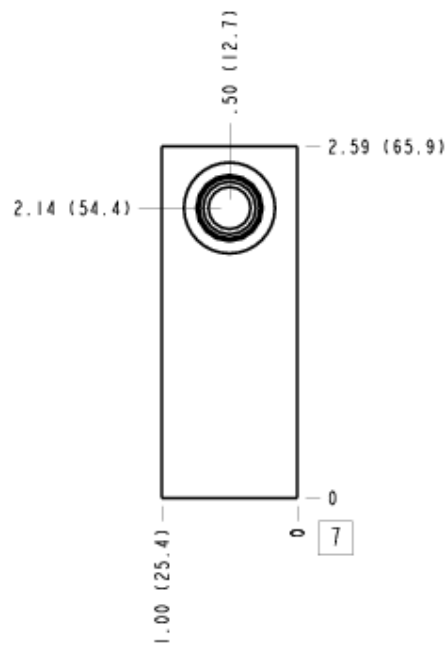
### Face 5



### Face 6



### Face 7



# Face 10

