

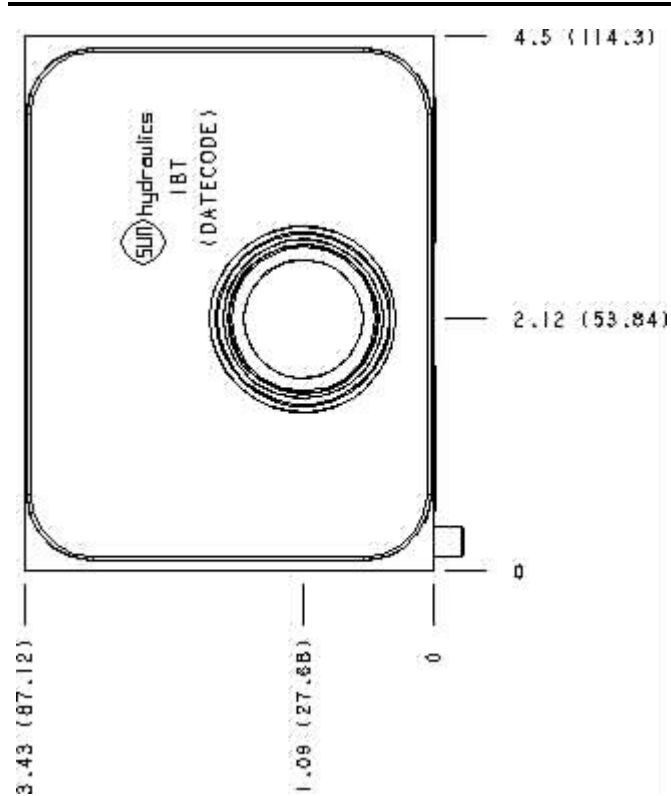
Functional Group:

Model:

Products : Manifolds : Sandwich : Flow Control : ISO 08 : Meter out T

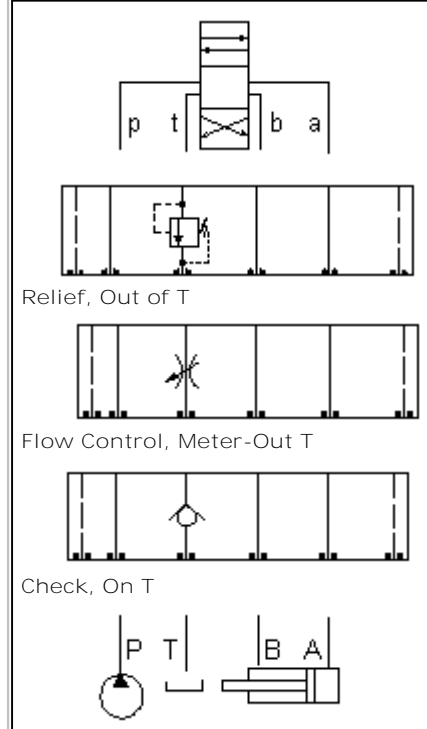
IBT

Face : 5



Cartridge extension measurement is to the centerline of the cartridge.

Function



Aluminum Body Pressure Rating: **3000 psi (210 bar)**
 Ductile Iron Body Pressure Rating: **5000 psi (350 bar)**

Technical Data

	U.S. Units	Metric Units
Model Weight	7.48 lb.	3.39 kg.
Cavity	T-16A	
Body Features	Out of T	
Body Type	Sandwich	
Interface	ISO 08	
Open Cavity Quantity	1	
Stack Height	3.44 in.	87 mm

Option Selection:

Model Code	Description
IBT	Aluminum, Buna-N, U.S. Units
IBT/S	Ductile Iron, Buna-N, U.S. Units
IBT/V	Aluminum, Viton, U.S. Units
IBT/Y	Ductile Iron, Viton, U.S. Units

Special Notes :

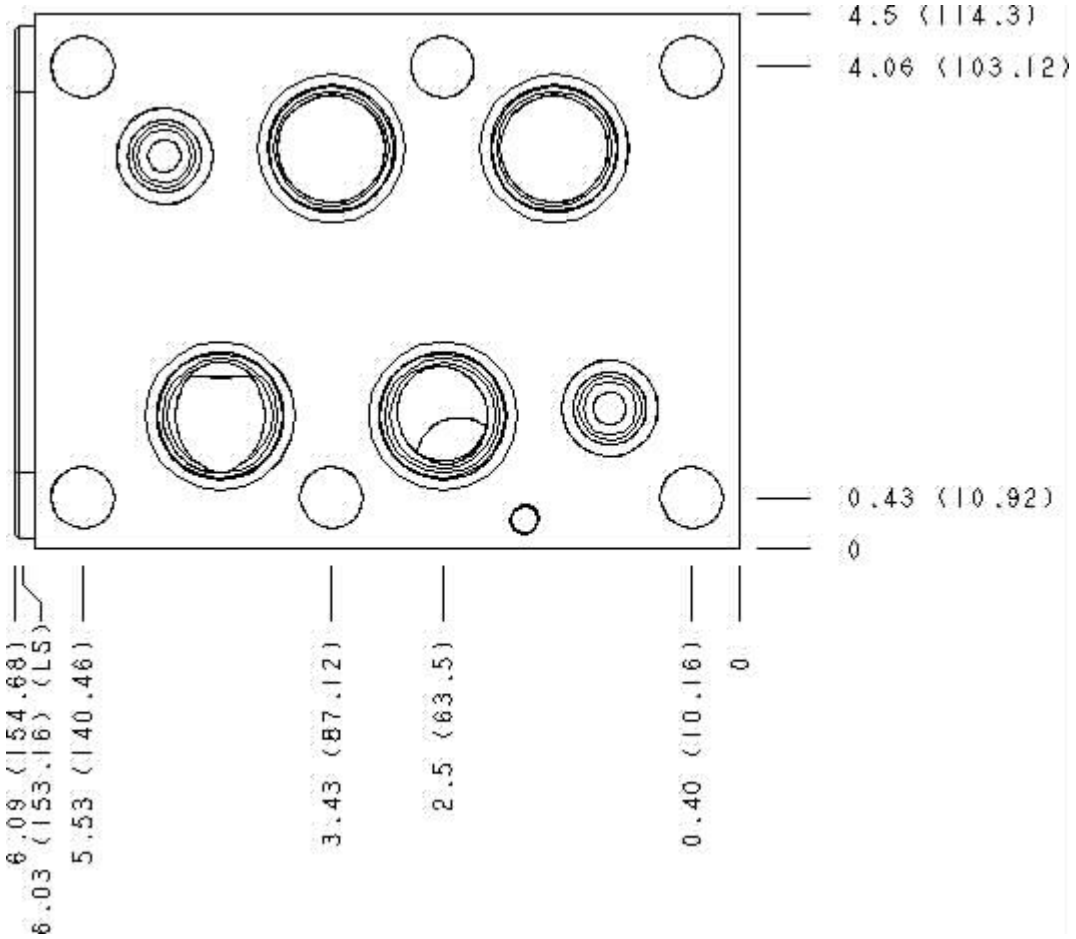
- For check valve application, use only with CX*A check valves - free flow nose to side.



Functional Group:
Products : Manifolds : Sandwich : Flow Control : ISO 08 : Meter out T

Model:
IBT

Face : 6



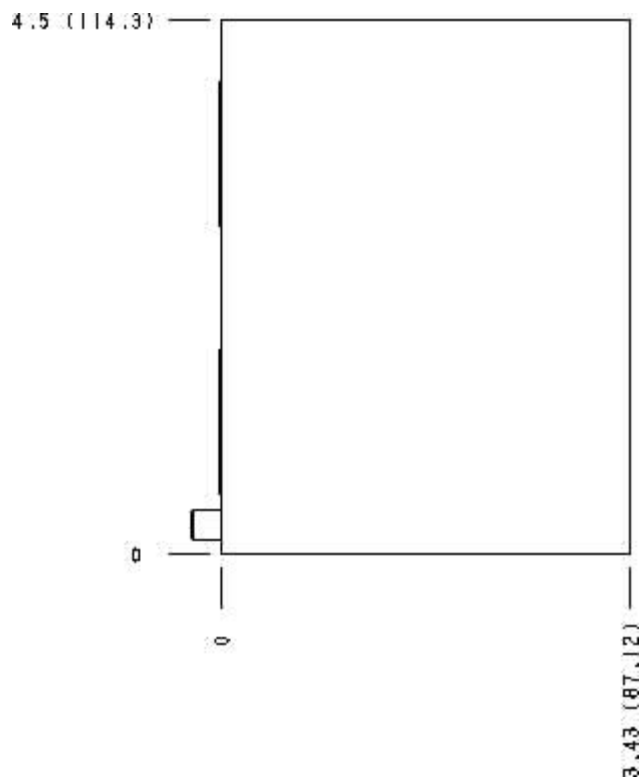
Cartridge extension measurement is to the centerline of the cartridge.



Functional Group:
 Products : Manifolds : Sandwich : Flow Control : ISO 08 : Meter out T

Model:
 I BT

Face : 7



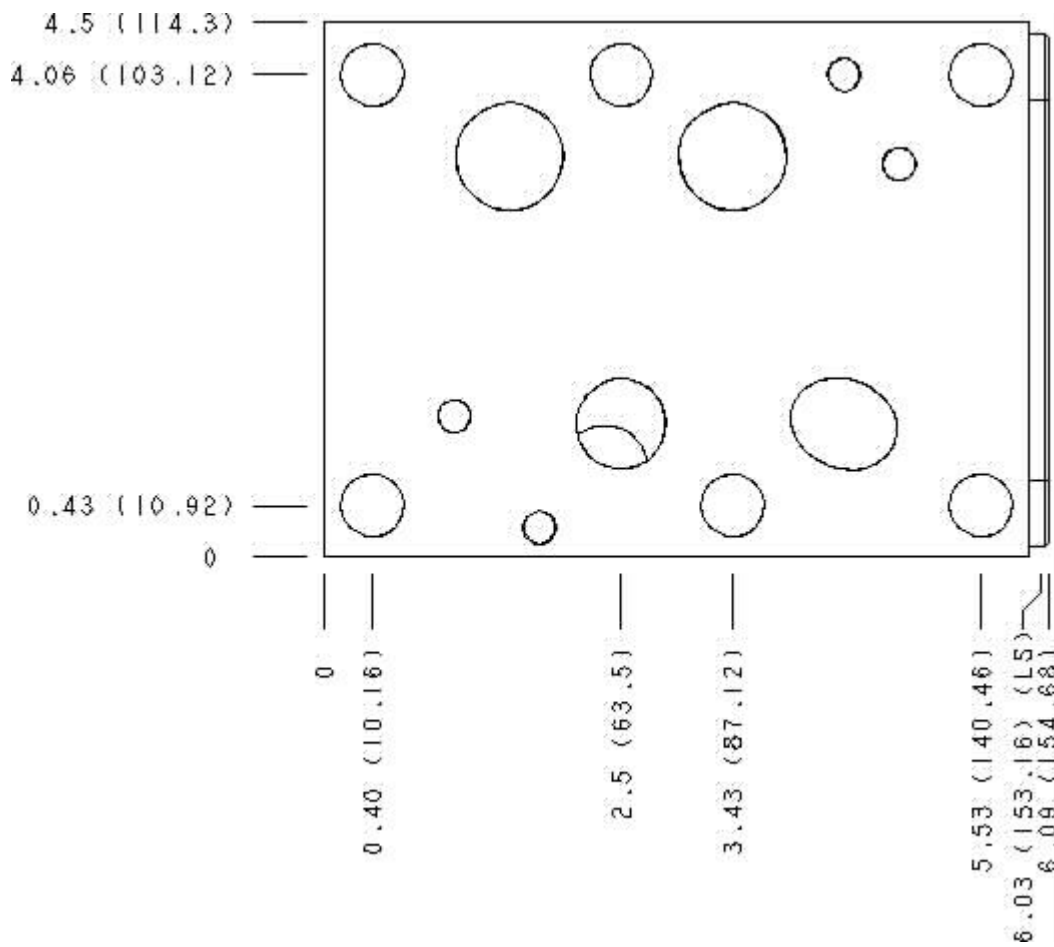
Cartridge extension measurement is to the centerline of the cartridge.



Functional Group:
Products : Manifolds : Sandwich : Flow Control : ISO 08 : Meter out T

Model:
IBT

Face : 8



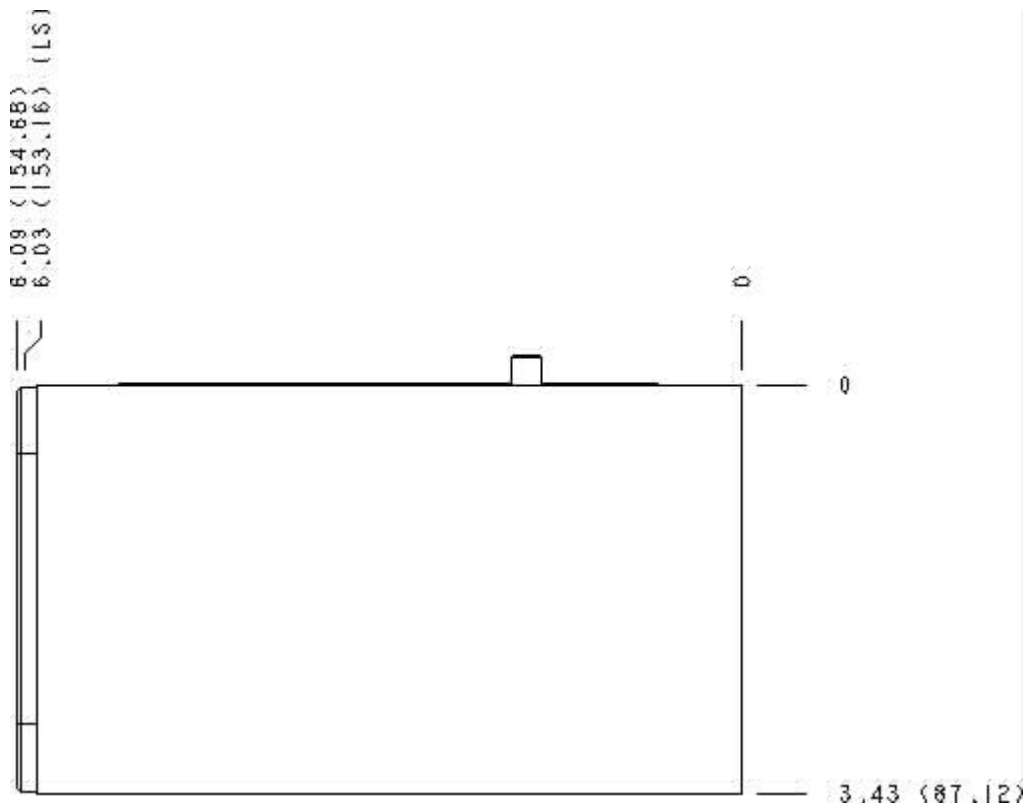
Cartridge extension measurement is to the centerline of the cartridge.



Functional Group:
 Products : Manifolds : Sandwich : Flow Control : ISO 08 : Meter out T

Model:
 IBT

Face : 10



Cartridge extension measurement is to the centerline of the cartridge.



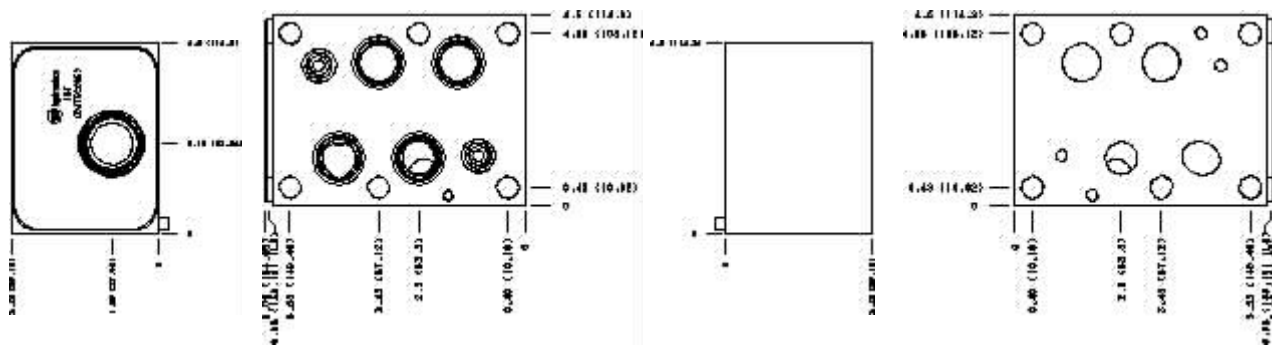
Functional Group:

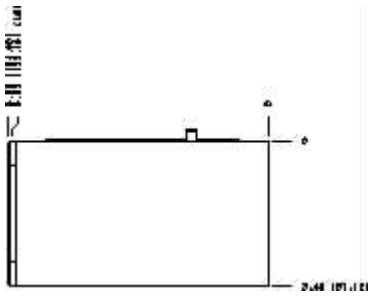
Products : Manifolds : Sandwich : Flow Control : ISO
08 : Meter out T

Model:
IBT

Projection Type

All Dimensions in Inches(mm)





Copyright © 2007-2008 Sun Hydraulics Corporation.
All rights reserved.

[Terms and Conditions](#) - [Statement of Privacy](#)