

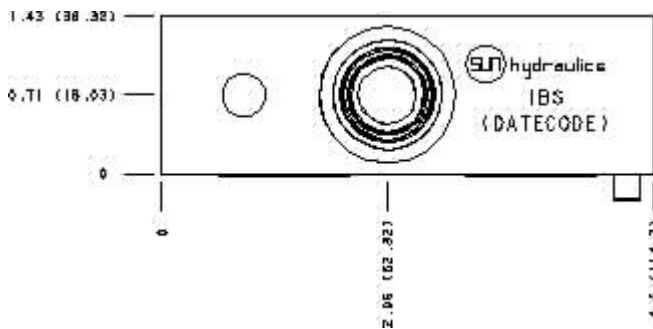
Functional Group:

Model:

Products : Manifolds : Sandwich : Shuttle Valve : ISO 08 : Shuttle A and B, output external

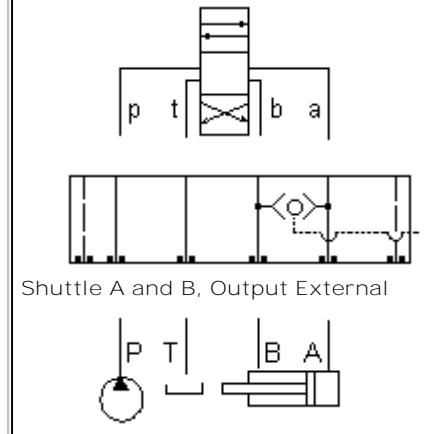
IBS

Face : 9



Cartridge extension measurement is to the centerline of the cartridge.

Function



Shuttle A and B, Output External

Aluminum Body Pressure Rating: **3000 psi (210 bar)**  
 Ductile Iron Body Pressure Rating: **5000 psi (350 bar)**

#### Technical Data

	U.S. Units	Metric Units
<b>Model Weight</b>	3.02 lb.	1.37 kg.
<b>Cavity</b>	T-13A	
<b>Body Features</b>	A to B	
<b>Body Type</b>	Sandwich	
<b>Interface</b>	ISO 08	
<b>Open Cavity Quantity</b>	1	
<b>Stack Height</b>	3.44 in.	87 mm

#### Option Selection:

Model Code	Description
IBS	Aluminum, Buna-N, U.S. Units
IBS/S	Ductile Iron, Buna-N, U.S. Units
IBS/V	Aluminum, Viton, U.S. Units
IBS/Y	Ductile Iron, Viton, U.S. Units

Special Notes :

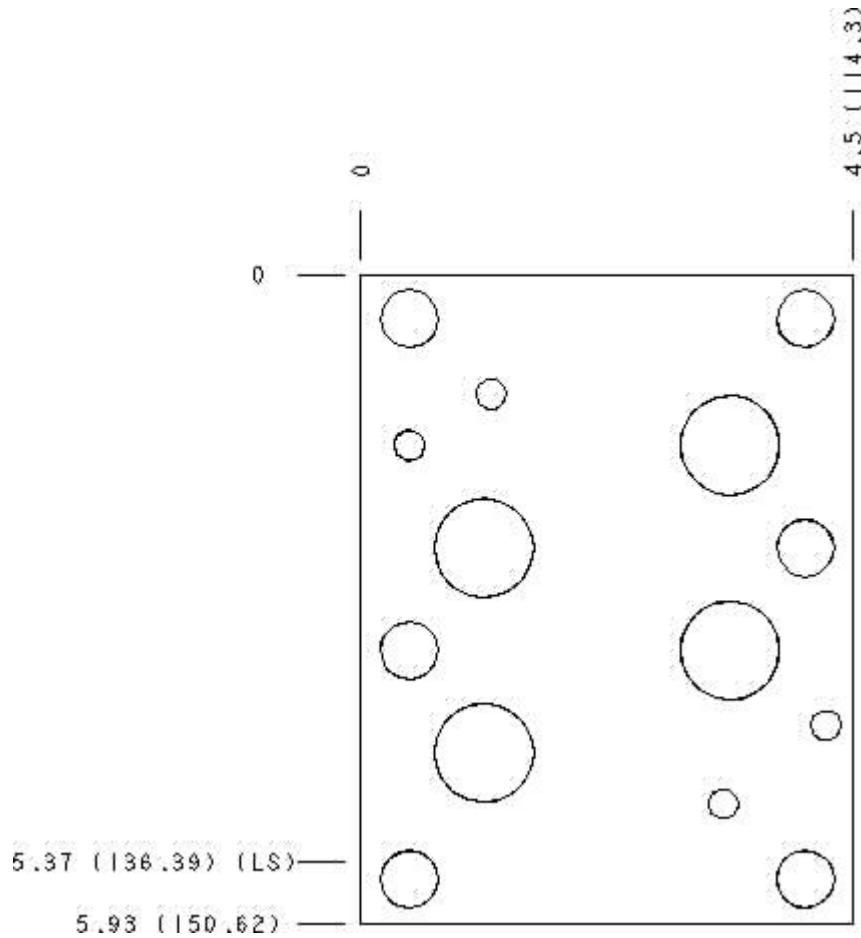
No Special Notes available for selected Model.



Functional Group:  
Products : Manifolds : Sandwich : Shuttle Valve : ISO 08 : Shuttle A and B,  
output external

Model:  
IBS

Face : 5

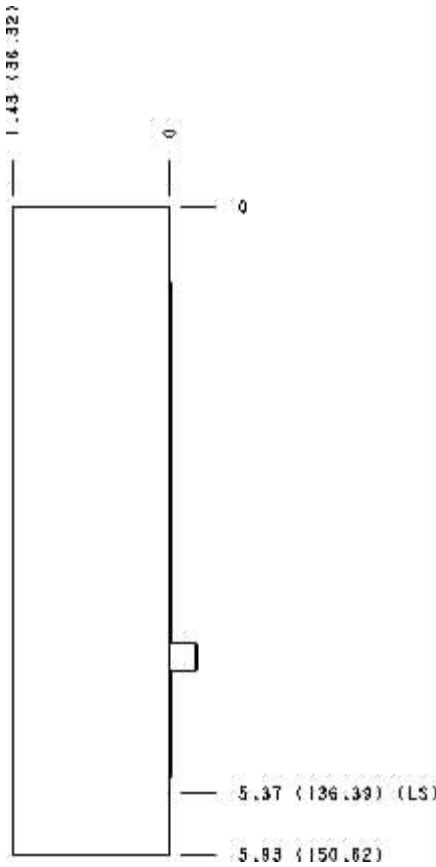


Cartridge extension measurement is to the centerline of the cartridge.



Functional Group:  
Products : Manifolds : Sandwich : Shuttle Valve : ISO 08 : Shuttle A and B,  
output external

Model:  
IBS



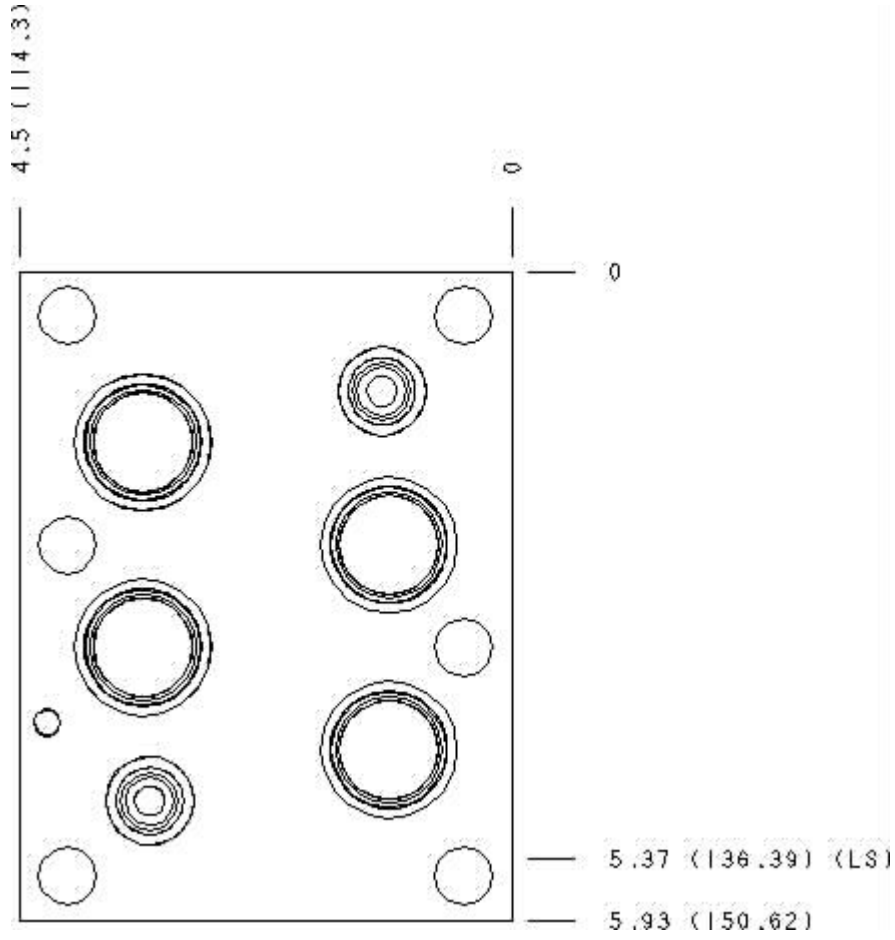
Cartridge extension measurement is to the centerline of the cartridge.

---



Functional Group:  
Products : Manifolds : Sandwich : Shuttle Valve : ISO 08 : Shuttle A and B,  
output external

Model:  
IBS



Cartridge extension measurement is to the centerline of the cartridge.



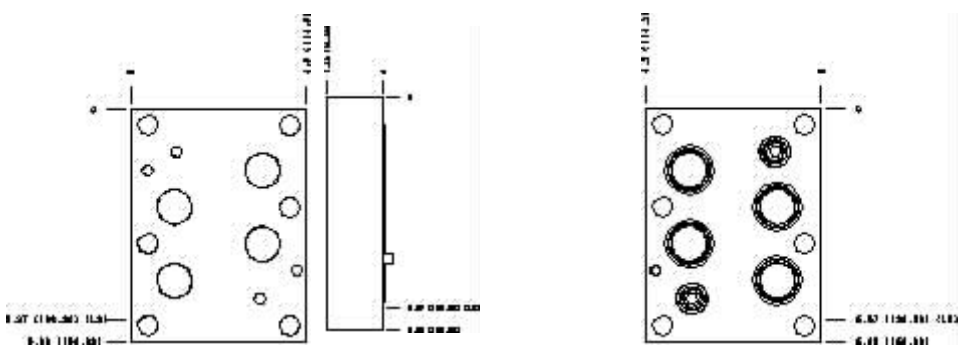
Functional Group:

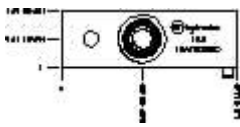
Products : Manifolds : Sandwich : Shuttle Valve : ISO  
 08 : Shuttle A and B, output external

Model:  
 IBS

Projection Type

All Dimensions in Inches(mm)





---

Copyright © 2007-2008 Sun Hydraulics Corporation.  
All rights reserved.

[Terms and Conditions](#) - [Statement of Privacy](#)