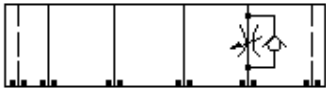
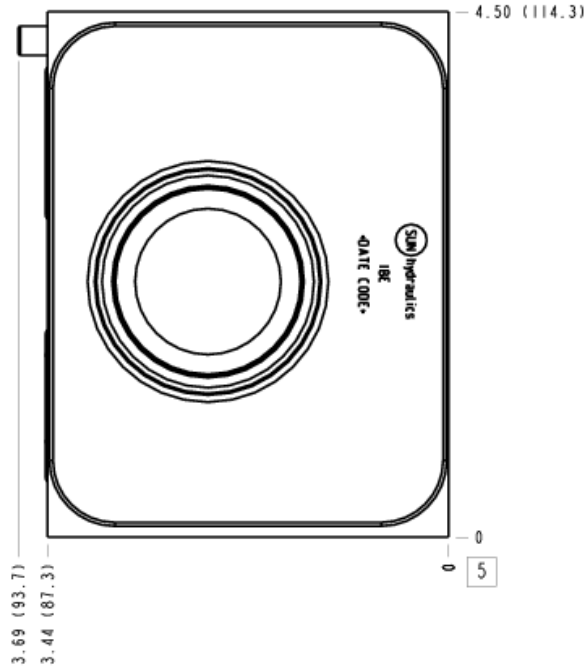
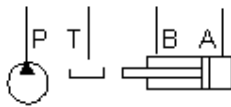


Check, On A, Free Flow Into Valve, High Capacity



Flow Control, Meter Out A, High Capacity



**TECHNICAL DATA**

Body Type	Sandwich
Interface	ISO 08
Body Features	Out of A
Stack Height	3.44 in.
Seal Plate Included (see notes)	No
Open Cavities	1
Cavity	T-18A
Model Weight	8.31 lb.

**NOTES**

- For check valve application, use only with CX\*A check valves - free flow nose to side.
- Seal retainer plate is not required for this model.
- **Important:** Carefully consider the maximum system pressure. The pressure rating of the manifold is dependent on the manifold material, with the port type/size a secondary consideration. Manifolds constructed of aluminum are not rated for pressures higher than 3000 psi (210 bar), regardless of the port type/size specified.

## INCLUDED COMPONENTS

Part	Description	Quantity
500-001-114	O-Ring	2
500-001-121	O-Ring	4
811-001-002	Locating Pin	1

## CONFIGURATION OPTIONS

Model Code Example: IBE

### MODIFIER

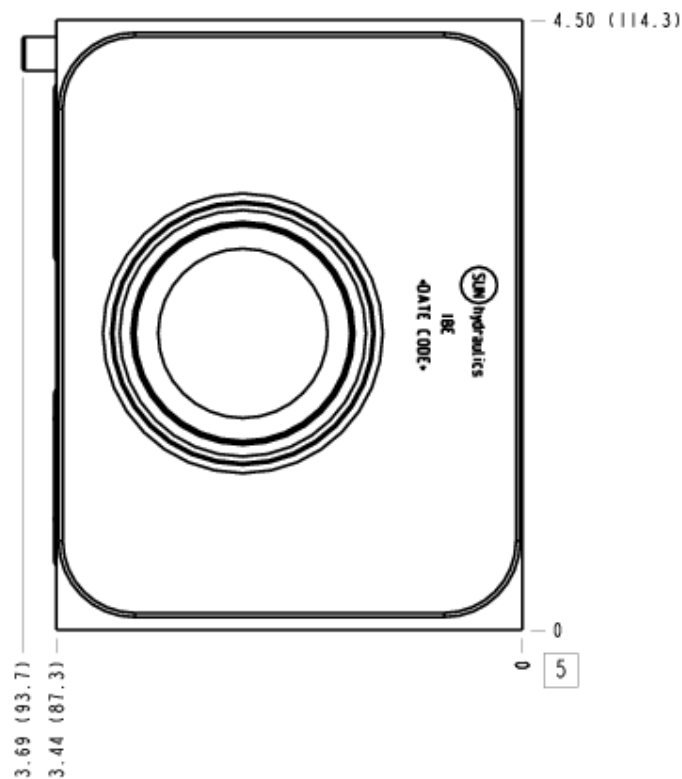
- 6061-T651 Aluminum, Buna-N**
- /11 6061-T651 Aluminum, Buna-N, Clear Anodize - Per MIL SPEC 8625F Type II, Class I
  - /10 6061-T651 Aluminum, Buna-N, Black Anodize - Per MIL SPEC 8625F Type II, Class II
  - IV 6061-T651 Aluminum, Viton
  - /16 6061-T651 Aluminum, Viton, Clear Anodize - Per MIL SPEC 8625F Type II, Class I
  - /15 6061-T651 Aluminum, Viton, Black Anodize - Per MIL SPEC 8625F Type II, Class II
  - /S 65-45-12 Ductile Iron, Buna-N, Chem. Black
  - /S3 65-45-12 Ductile Iron, Buna-N, Trivalent Clear Zinc with Top Sealer
  - /Y 65-45-12 Ductile Iron, Viton, Chem. Black
  - /Y3 65-45-12 Ductile Iron, Viton, Trivalent Clear Zinc with Top Sealer

## MANIFOLD FACES

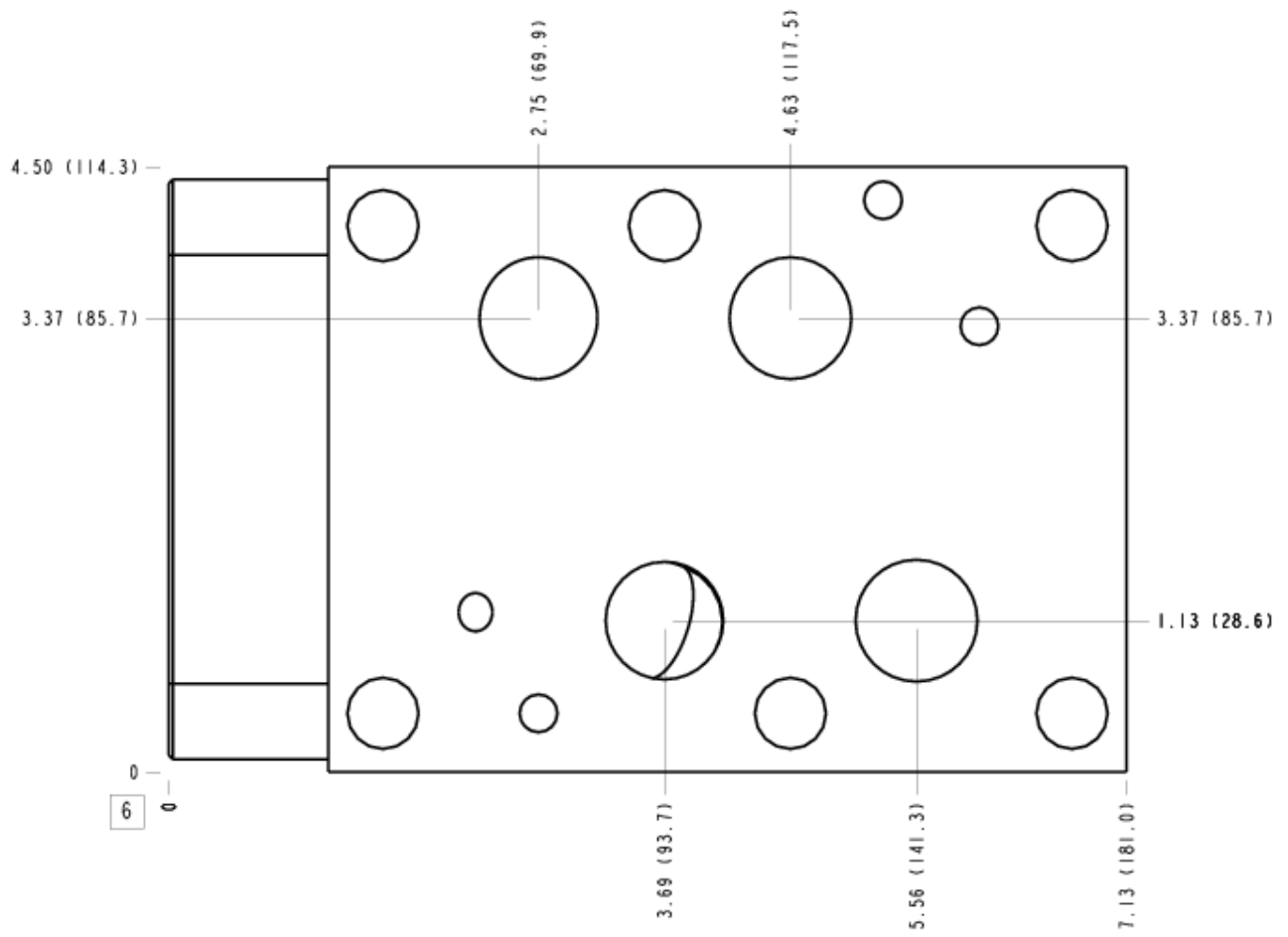
### FACE GRID

1	2	3	4
5	6	7	8
9	10	11	12

### Face 5



### Face 6



### Face 8

