

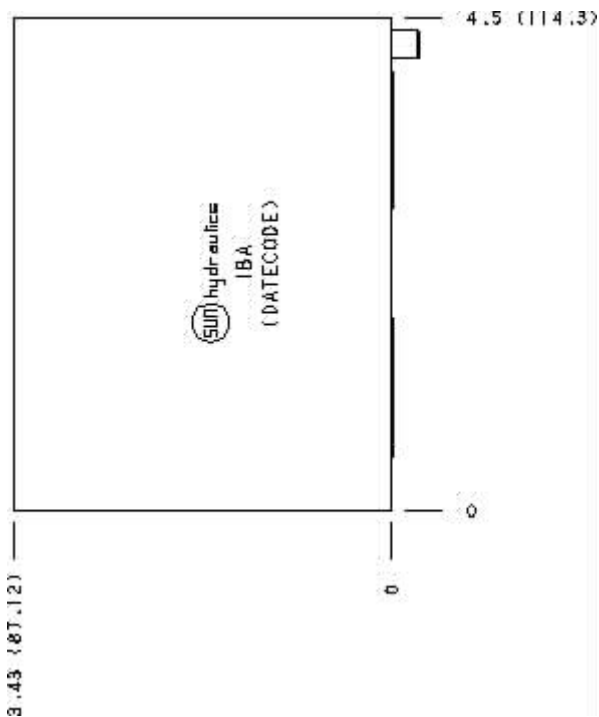
Functional Group:

Model:

Products : Manifolds : Sandwich : Flow Control : ISO 08 : Meter out on A

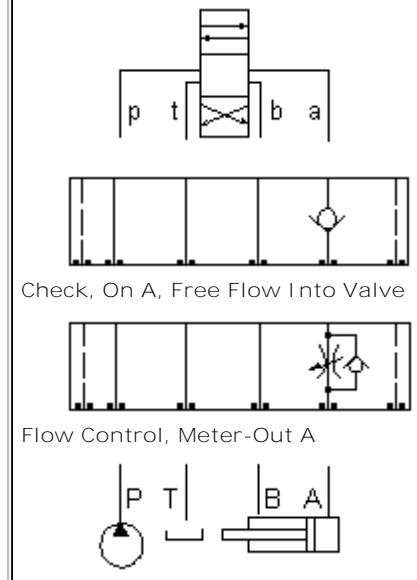
IBA

Face : 7



Cartridge extension measurement is to the centerline of the cartridge.

Function



Aluminum Body Pressure Rating: **3000 psi (210 bar)**
 Ductile Iron Body Pressure Rating: **5000 psi (350 bar)**

Technical Data

	U.S. Units	Metric Units
Model Weight	7.90 lb.	3.58 kg.
Cavity	T-16A	
Body Features	Out of A	
Body Type	Sandwich	
Interface	ISO 08	
Open Cavity Quantity	1	
Stack Height	3.44 in.	87 mm

Option Selection:

Model Code	Description
IBA	Aluminum, Buna-N, U.S. Units
IBA/S	Ductile Iron, Buna-N, U.S. Units
IBA/V	Aluminum, Viton, U.S. Units
IBA/Y	Ductile Iron, Viton, U.S. Units

Special Notes :

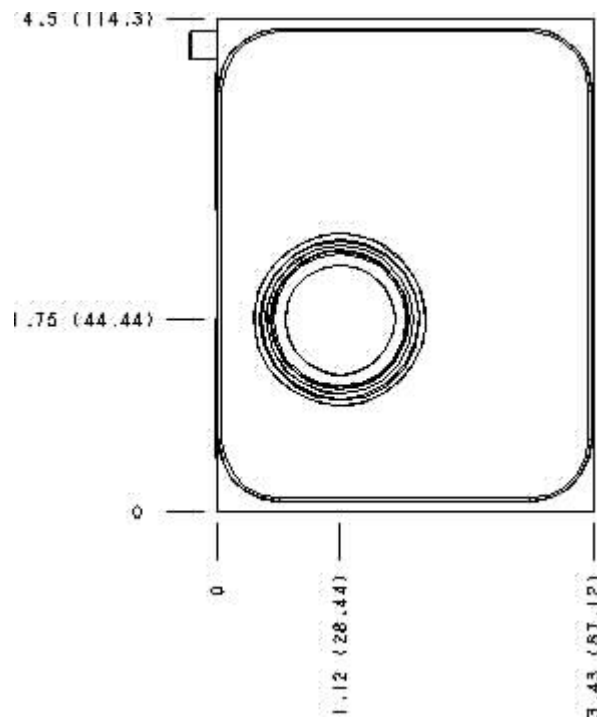
- For check valve application, use only with CX*A check valves - free flow nose to side.



Functional Group:
Products : Manifolds : Sandwich : Flow Control : ISO 08 : Meter out on A

Model:
IBA

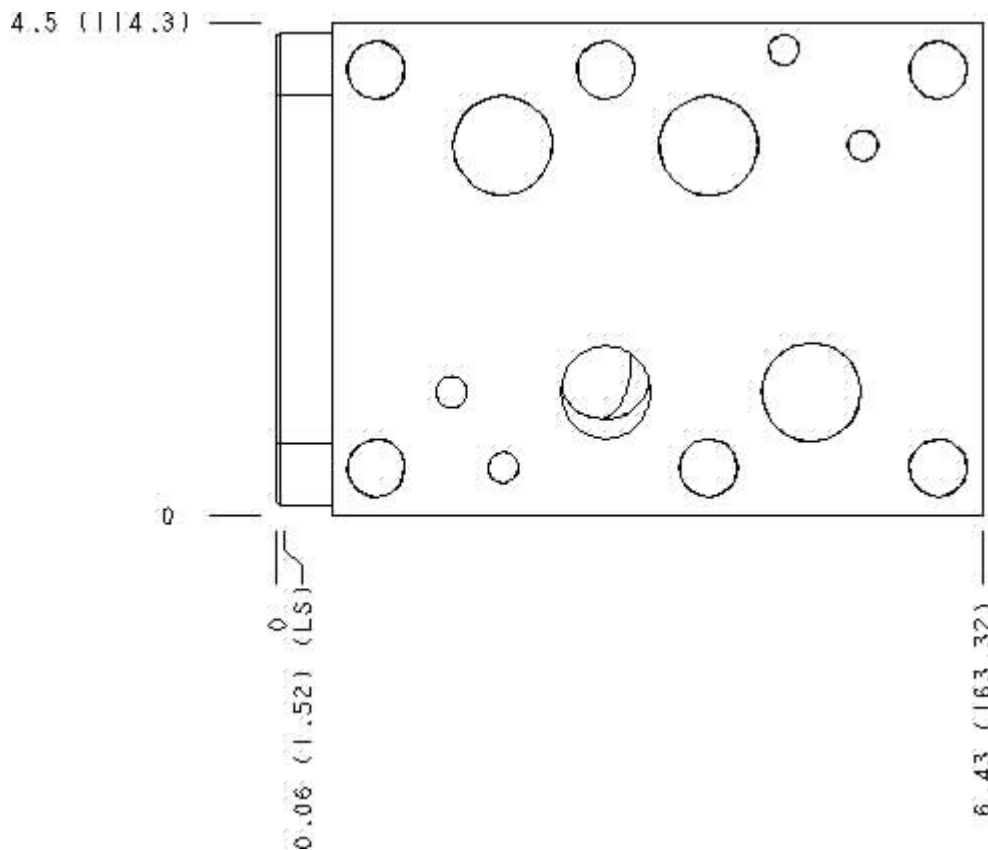
Face : 5



Cartridge extension measurement is to the centerline of the cartridge.



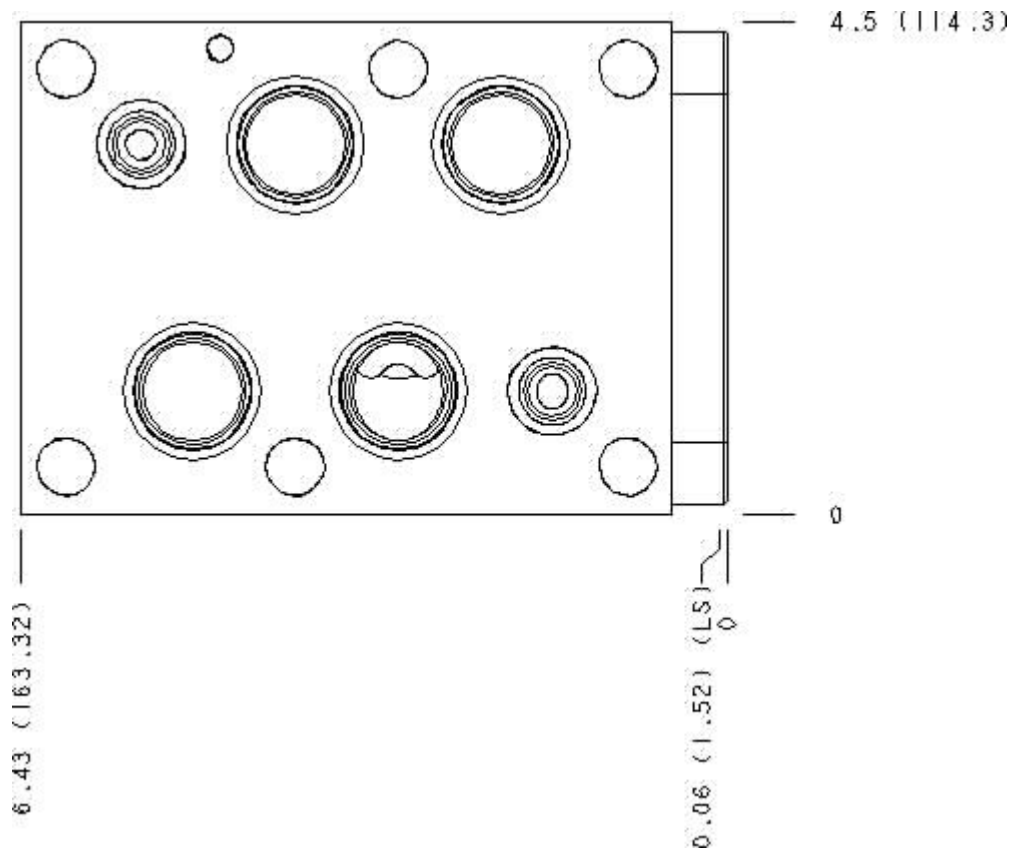
Face : 6



Cartridge extension measurement is to the centerline of the cartridge.



Face : 8



Cartridge extension measurement is to the centerline of the cartridge.



Functional Group:

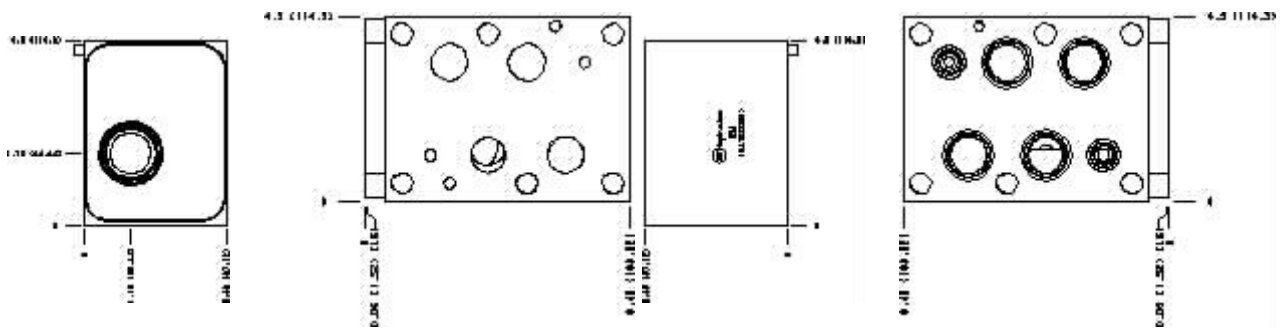
Products : Manifolds : Sandwich : Flow Control : ISO
 08 : Meter out on A

Model:

IBA

Projection Type

All Dimensions in Inches(mm)



Copyright © 2007-2008 Sun Hydraulics Corporation.
All rights reserved.

[Terms and Conditions](#) - [Statement of Privacy](#)