

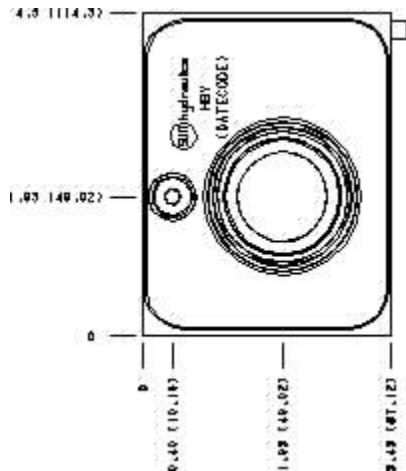
Functional Group:

Model:

Products : Manifolds : Sandwich : Counterbalance : ISO 08 : On A and B with cross pilot high capacity

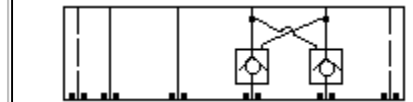
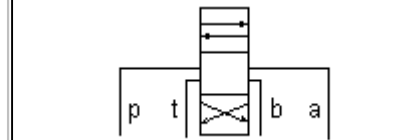
HBY

Face : 7

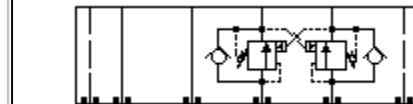


Cartridge extension measurement is to the centerline of the cartridge.

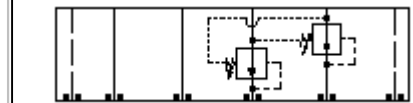
Function



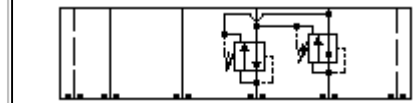
Pilot-To-Open Check, On A and B, Cross-Piloted



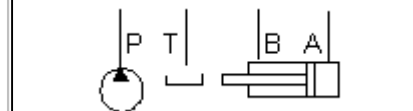
Counterbalance, On A and B, Cross-Piloted



Reducing, On A and B, drain to opposite port



Reducing/Relieving, On A and B, Tanks and Drains to Opposite Port



Aluminum Body Pressure Rating: **3000 psi (210 bar)**

Ductile Iron Body Pressure Rating: **5000 psi (350 bar)**

Technical Data

	U.S. Units	Metric Units
Model Weight	11.41 lb.	5.18 kg.
Cavity	T-19A	
Body Features	On A and B with cross pilot	
Body Type	Sandwich	
Interface	ISO 08	
Open Cavity Quantity	2	
Stack Height	3.44 in.	87 mm

Option Selection:

Model Code	Description
HBY	Aluminum, Buna-N, U.S. Units
HBY/S	Ductile Iron, Buna-N, U.S. Units
HBY/V	Aluminum, Viton, U.S. Units
HBY/Y	Ductile Iron, Viton, U.S. Units

Special Notes :

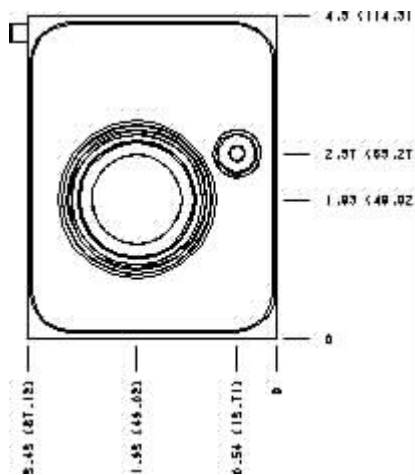
No Special Notes available for selected Model.



Functional Group:
Products : Manifolds : Sandwich : Counterbalance : ISO 08 : On A and B with
cross pilot high capacity

Model:
HBY

Face : 5

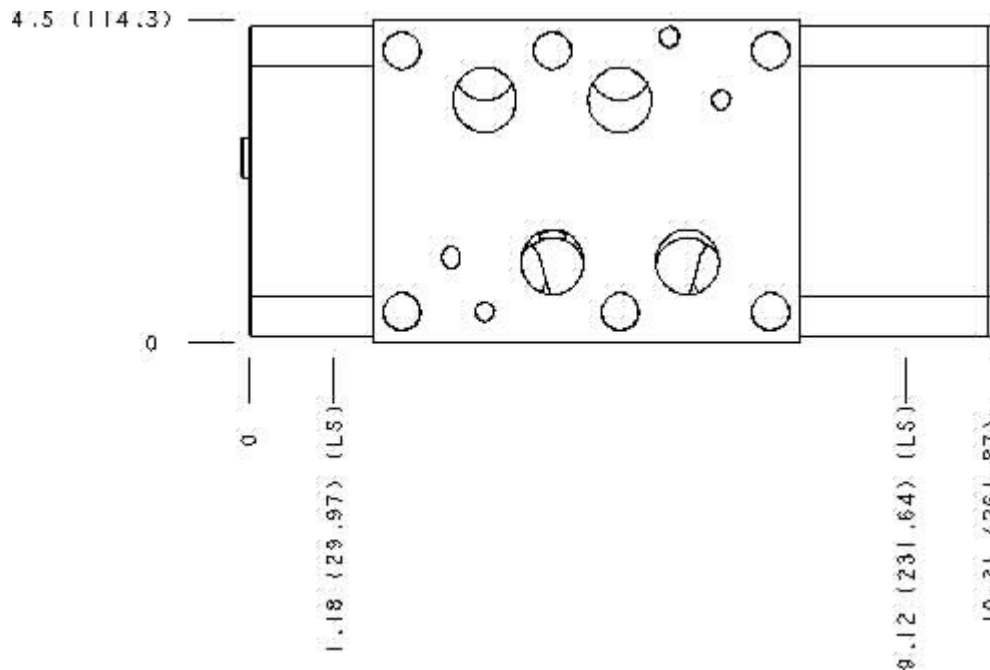


Cartridge extension measurement is to the centerline of the cartridge.



Functional Group:

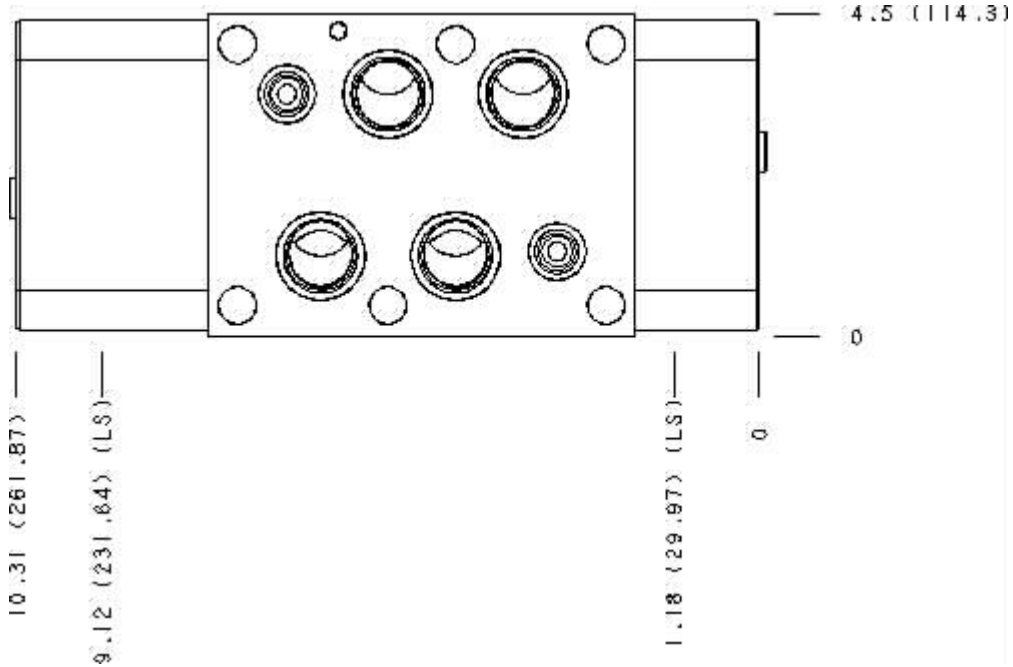
Face : 6



Cartridge extension measurement is to the centerline of the cartridge.



Face : 8



Cartridge extension measurement is to the centerline of the cartridge.



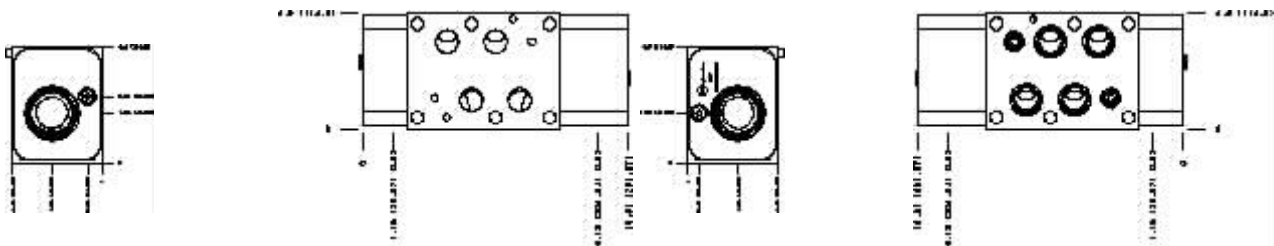
Functional Group:

Products : Manifolds : Sandwich : Counterbalance : ISO
 08 : On A and B with cross pilot high capacity

Model:
 HBY

Projection Type

All Dimensions in Inches(mm)



Copyright © 2007-2008 Sun Hydraulics Corporation.
 All rights reserved.

[Terms and Conditions](#) - [Statement of Privacy](#)