

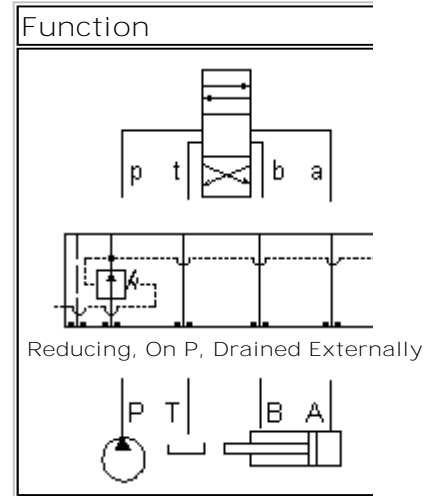
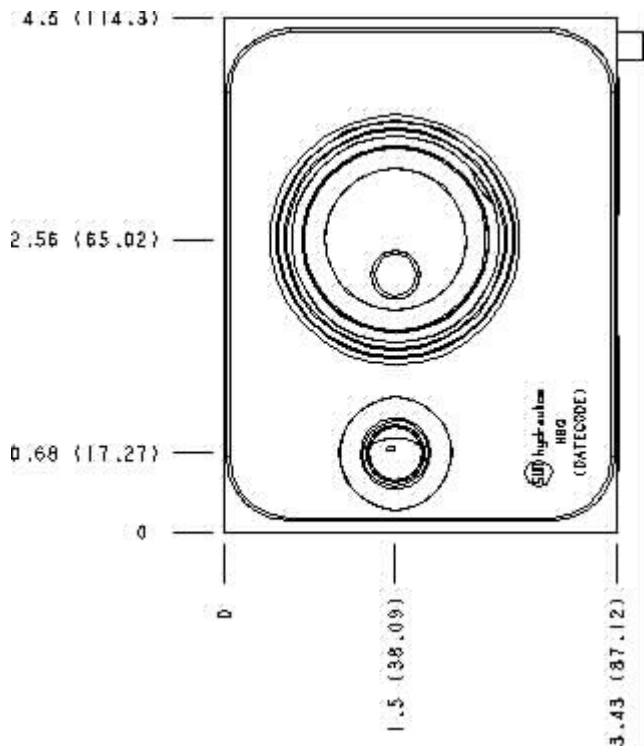
Functional Group:

Products : Manifolds : Sandwich : Reducing : ISO 08 : On P, external drain

Model:

HBQ

Face : 7



Cartridge extension measurement is to the centerline of the cartridge.

Aluminum Body Pressure Rating: **3000 psi (210 bar)**
 Ductile Iron Body Pressure Rating: **5000 psi (350 bar)**

Port Headings and Sizes:

Drain Port	Gage Port	Drain Port	Gage Port (Plugged)
1/4" BSPP	1/4" BSPP	SAE 6	1/4" NPTF

Technical Data

	U.S. Units	Metric Units
Model Weight	8.83 lb.	4.01 kg.
Cavity	T-19A	
Body Features	On P, port 3 external	
Body Type	Sandwich	
Interface	ISO 08	
Open Cavity Quantity	1	
Stack Height	3.44 in.	87 mm

Option Selection:

Model Code	Description
HBQ	Aluminum, Buna-N, U.S. Units
HBQ/M	Aluminum, Buna-N, Metric
HBQ/S	Ductile Iron, Buna-N, U.S. Units
HBQ/T	Ductile Iron, Buna-N, Metric
HBQ/V	Aluminum, Viton, U.S. Units
HBQ/W	Ductile Iron, Viton, Metric
HBQ/Y	Ductile Iron, Viton, U.S. Units
HBQ/Z	Aluminum, Viton, Metric

Special Notes :

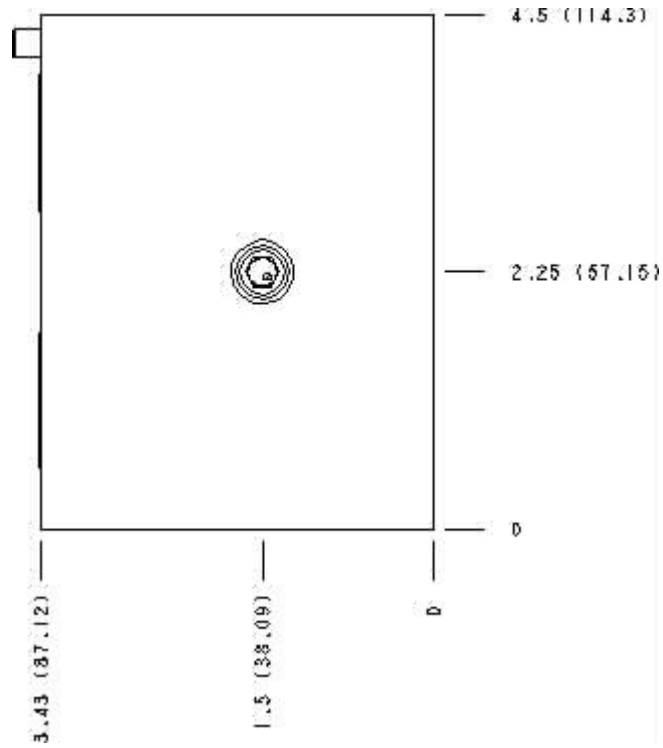
No Special Notes available for selected Model.



Functional Group:
Products : Manifolds : Sandwich : Reducing : ISO 08 : On P, external drain

Model:
HBQ

Face : 5



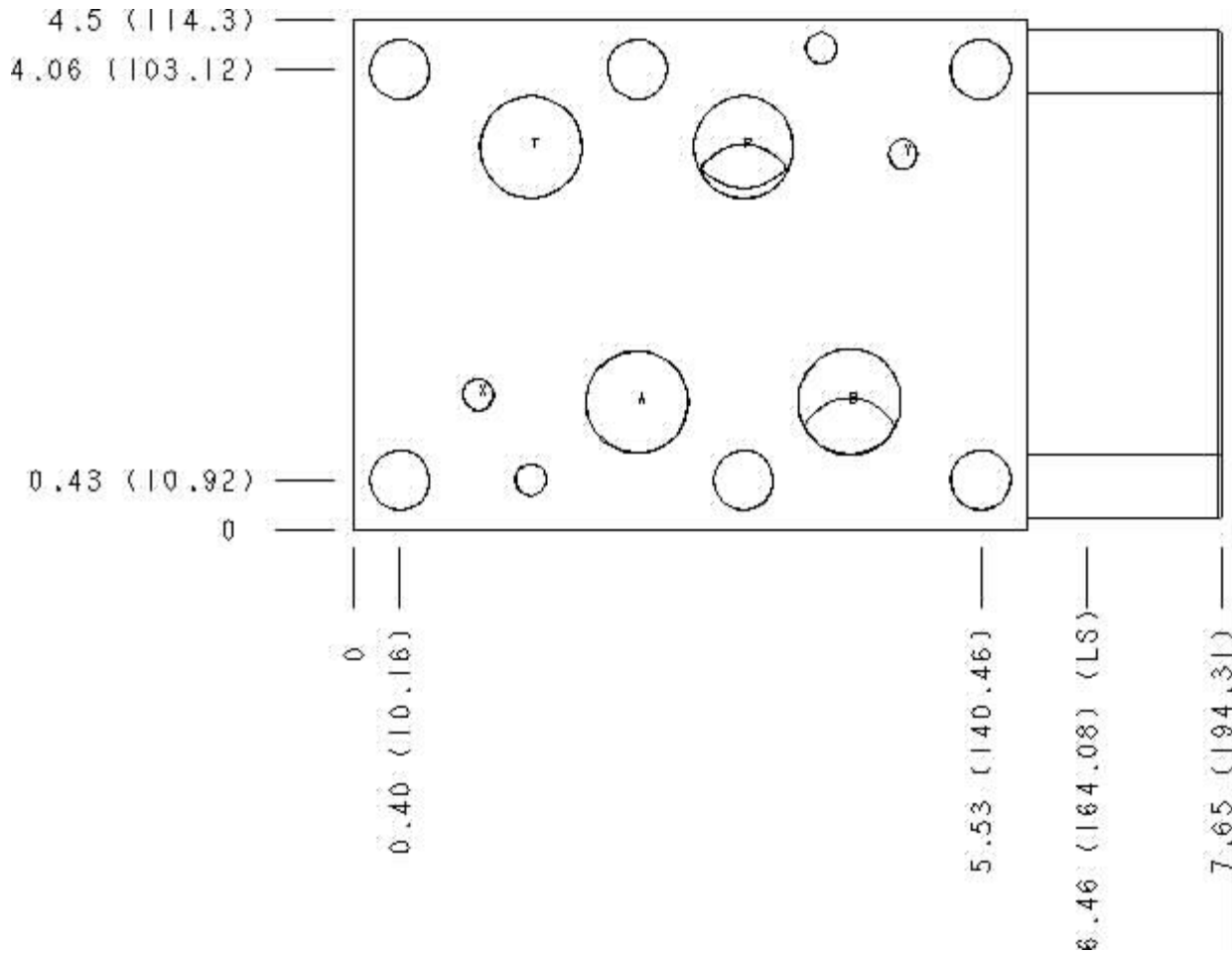
Cartridge extension measurement is to the centerline of the cartridge.



Functional Group:
 Products : Manifolds : Sandwich : Reducing : ISO 08 : On P, external drain

Model:
 HBQ

Face : 6



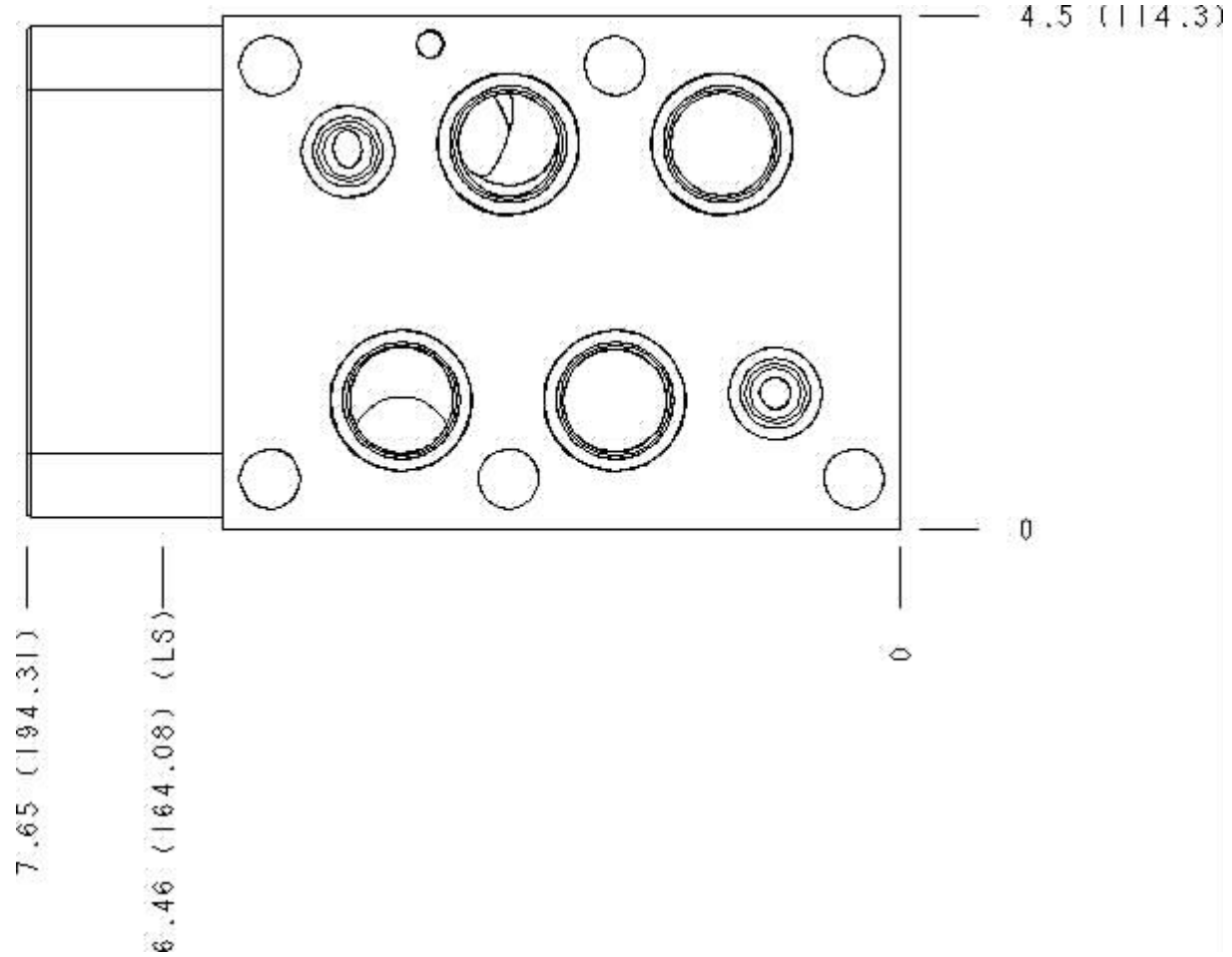
Cartridge extension measurement is to the centerline of the cartridge.



Functional Group:
 Products : Manifolds : Sandwich : Reducing : ISO 08 : On P, external drain

Model:
 HBQ

Face : 8



Cartridge extension measurement is to the centerline of the cartridge.



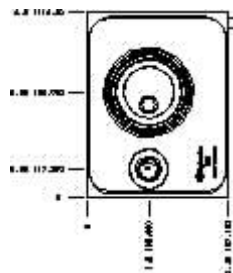
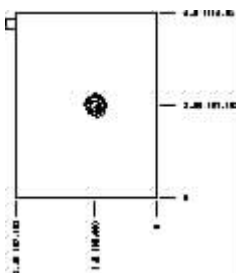
Functional Group:

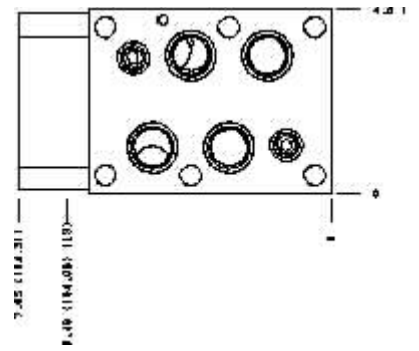
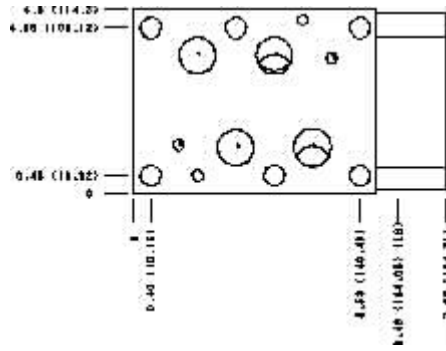
Products : Manifolds : Sandwich : Reducing : ISO 08 :
On P, external drain

Model:
HBO

Projection Type

All Dimensions in Inches(mm)





Copyright © 2007-2008 Sun Hydraulics Corporation.
All rights reserved.

[Terms and Conditions](#) - [Statement of Privacy](#)