

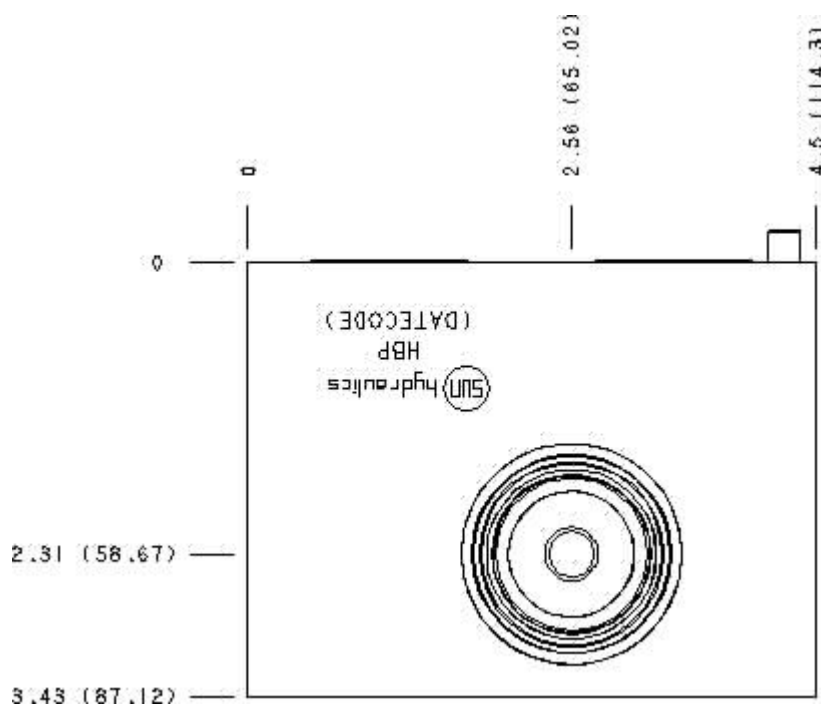
Functional Group:

Products : Manifolds : Sandwich : Reducing : ISO 08 : On P, drained to T

Model:

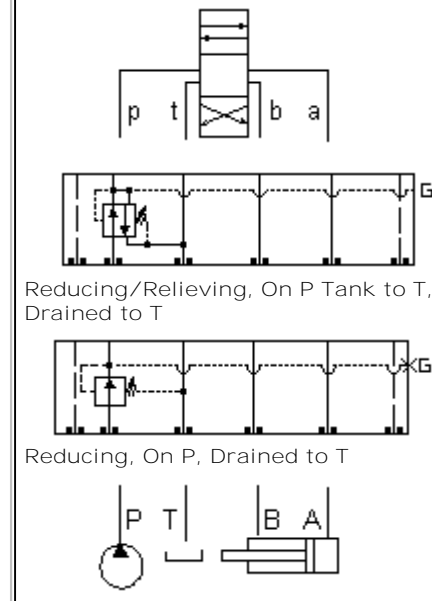
HBP

Face : 10



Cartridge extension measurement is to the centerline of the cartridge.

Function



Aluminum Body Pressure Rating: **3000 psi (210 bar)**

Ductile Iron Body Pressure Rating: **5000 psi (350 bar)**

Port Headings and Sizes:

Gage Port (Plugged)

1/4" BSPP

Gage Port (Plugged)

1/4" NPTF

Technical Data

	U.S. Units	Metric Units
<b>Model Weight</b>	7.04 lb.	3.19 kg.
<b>Cavity</b>	T-17A	
<b>Body Features</b>	On P, port 3 to T	
<b>Body Type</b>	Sandwich	
<b>Interface</b>	ISO 08	
<b>Open Cavity Quantity</b>	1	
<b>Stack Height</b>	3.44 in.	87 mm

---

Option Selection:

Model Code	Description
HBP	Aluminum, Buna-N, U.S. Units
HBP/M	Aluminum, Buna-N, Metric
HBP/S	Ductile Iron, Buna-N, U.S. Units
HBP/T	Ductile Iron, Buna-N, Metric
HBP/V	Aluminum, Viton, U.S. Units
HBP/W	Ductile Iron, Viton, Metric
HBP/Y	Ductile Iron, Viton, U.S. Units
HBP/Z	Aluminum, Viton, Metric

---

Special Notes :

No Special Notes available for selected Model.

---

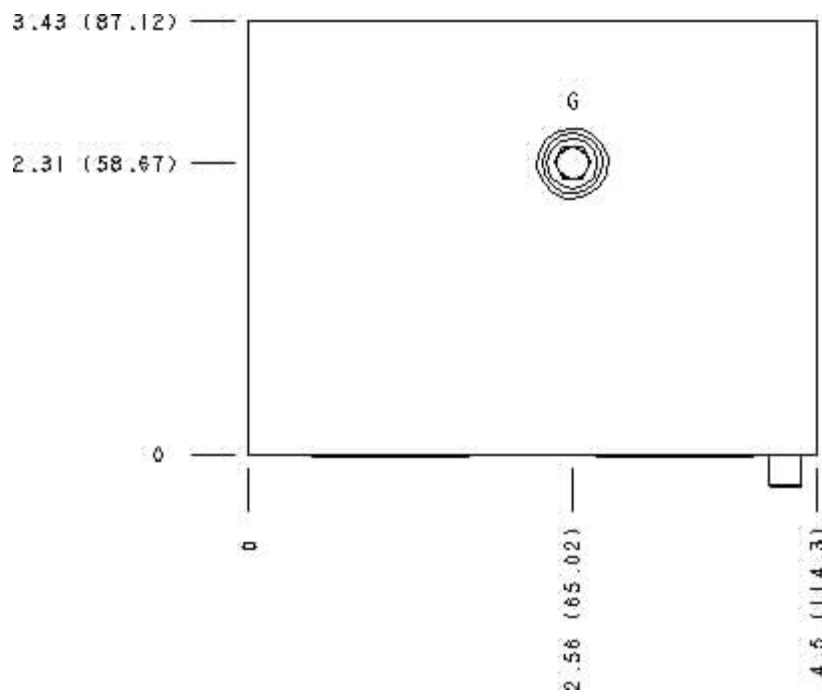


Functional Group:  
Products : Manifolds : Sandwich : Reducing : ISO 08 : On P, drained to T

Model:  
HBP

Face : 2

---



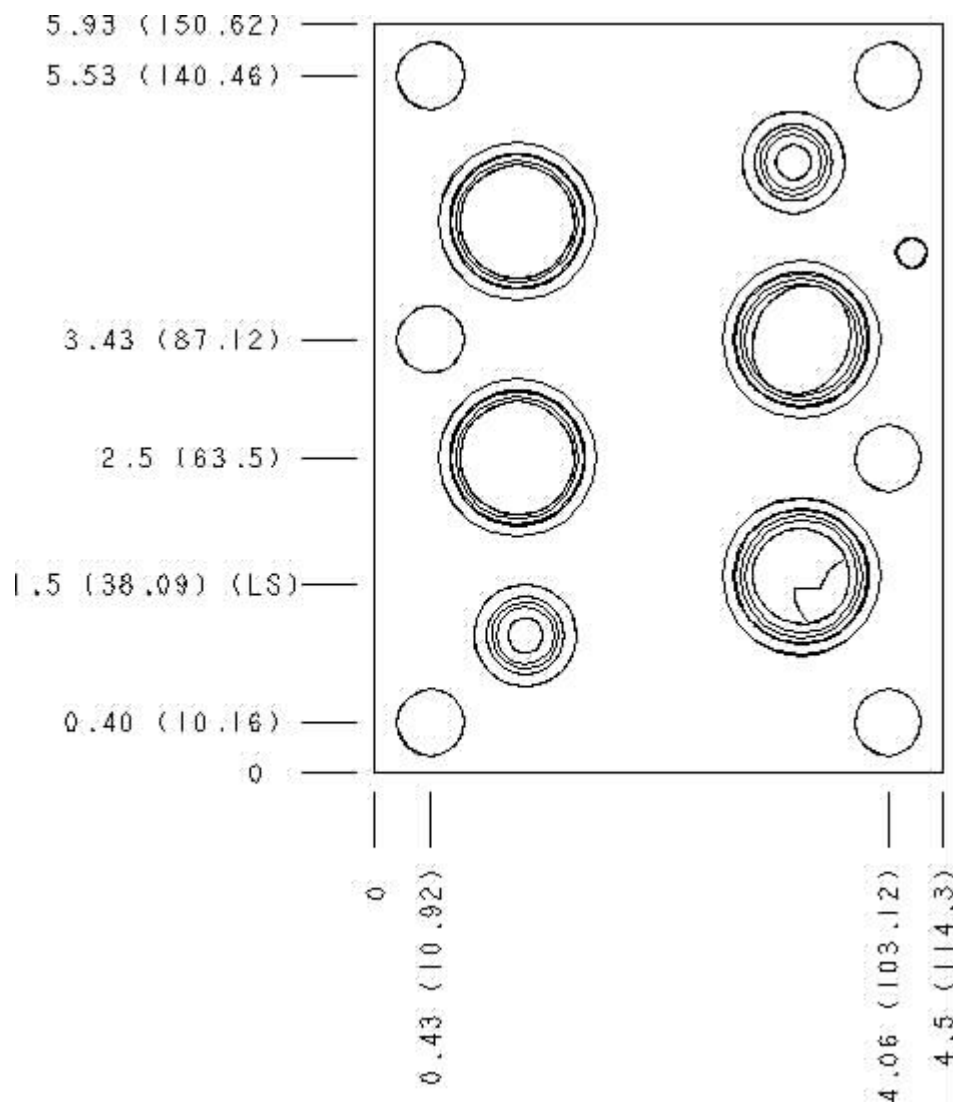
Cartridge extension measurement is to the centerline of the cartridge.



Functional Group:  
 Products : Manifolds : Sandwich : Reducing : ISO 08 : On P, drained to T

Model:  
 HBP

Face : 6



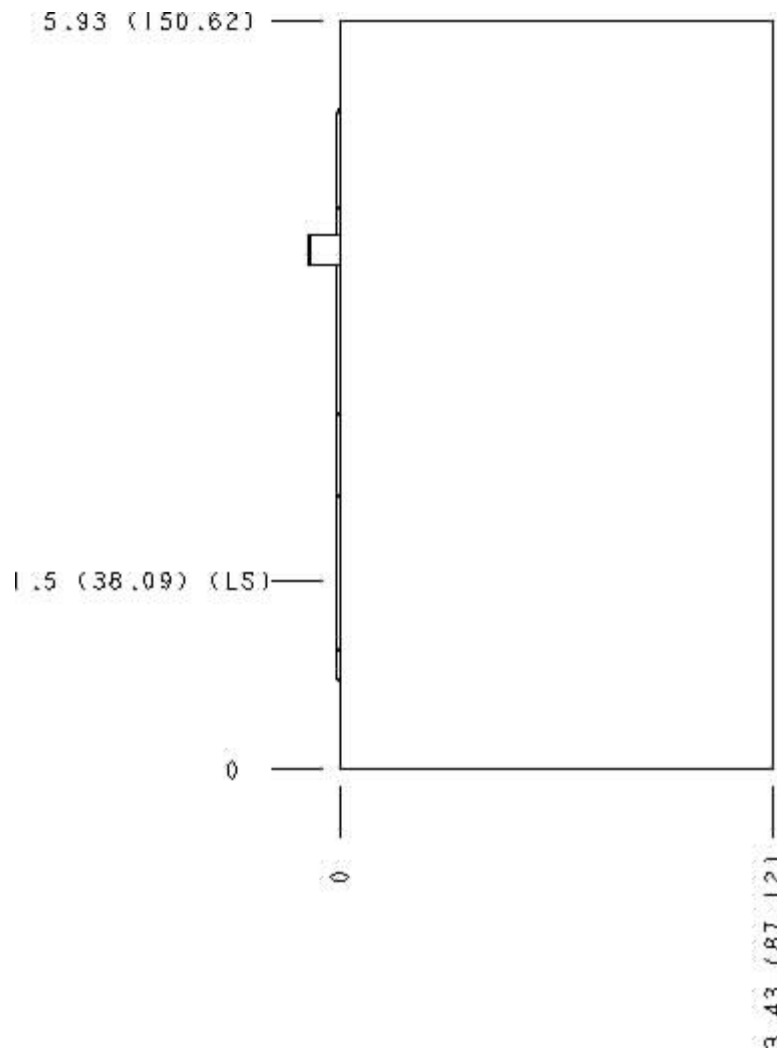
Cartridge extension measurement is to the centerline of the cartridge.



Functional Group:  
 Products : Manifolds : Sandwich : Reducing : ISO 08 : On P, drained to T

Model:  
 HBP

Face : 7



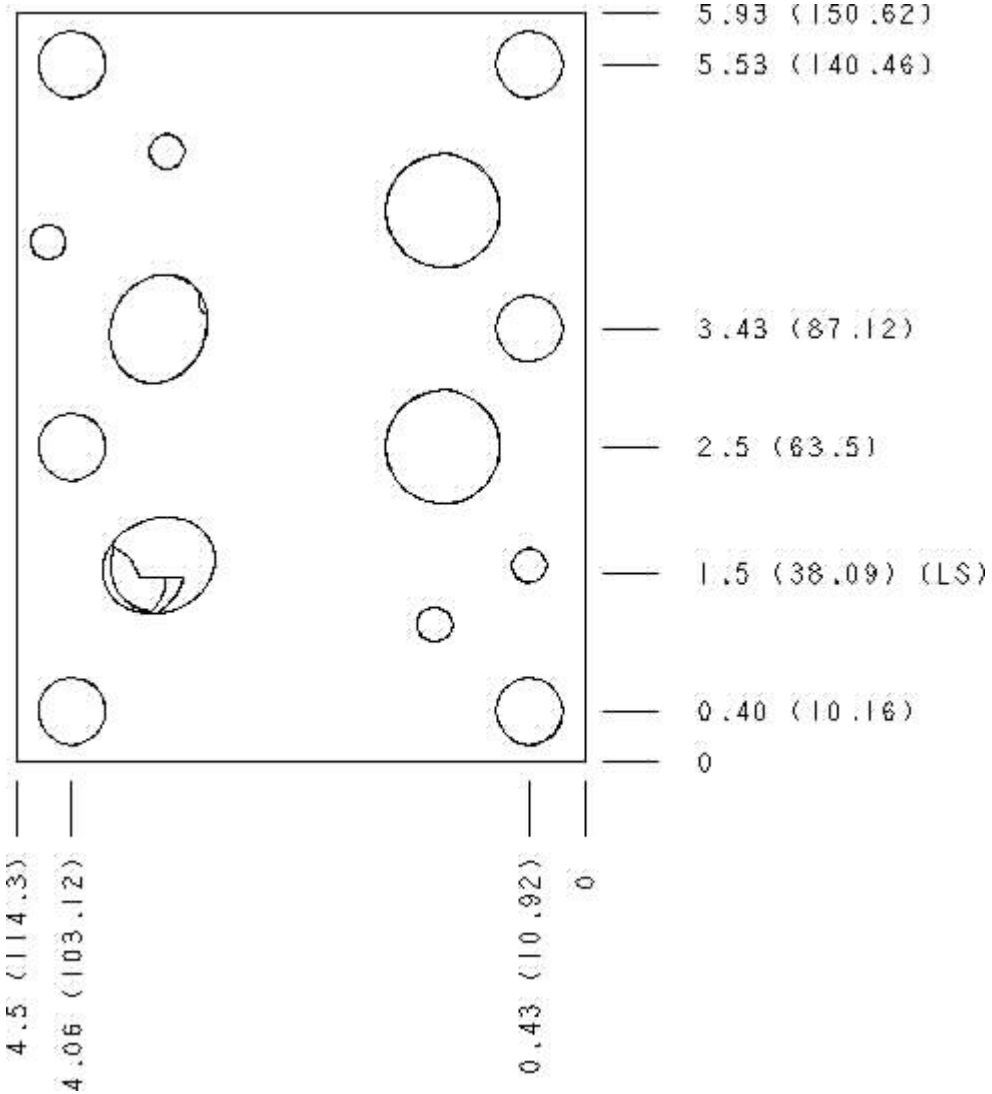
Cartridge extension measurement is to the centerline of the cartridge.



Functional Group:  
 Products : Manifolds : Sandwich : Reducing : ISO 08 : On P, drained to T

Model:  
 HBP

Face : 8



Cartridge extension measurement is to the centerline of the cartridge.



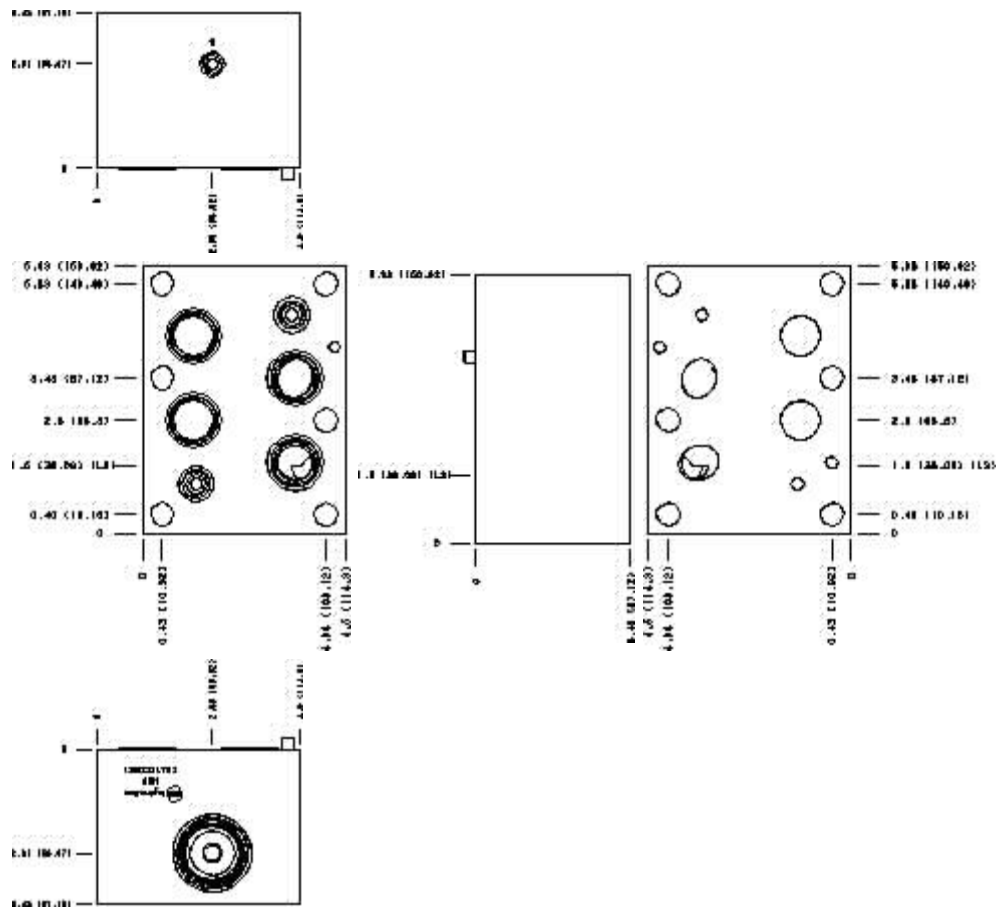
Functional Group:

Products : Manifolds : Sandwich : Reducing : ISO 08 :  
On P, drained to T

Model:  
HBP

Projection Type 

All Dimensions in Inches(mm)



Copyright © 2007-2008 Sun Hydraulics Corporation.  
All rights reserved.

[Terms and Conditions](#) - [Statement of Privacy](#)