

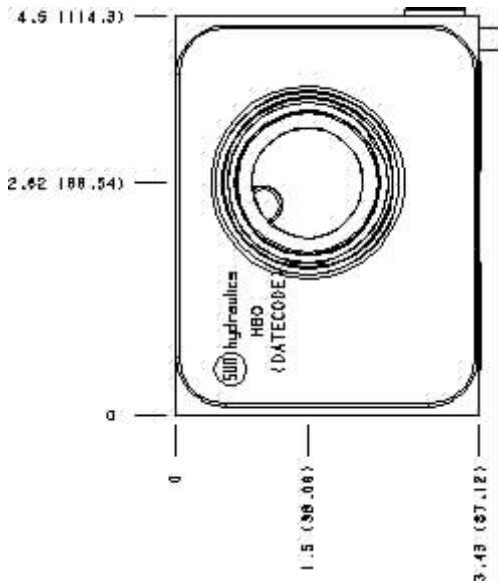
Functional Group:

Model:

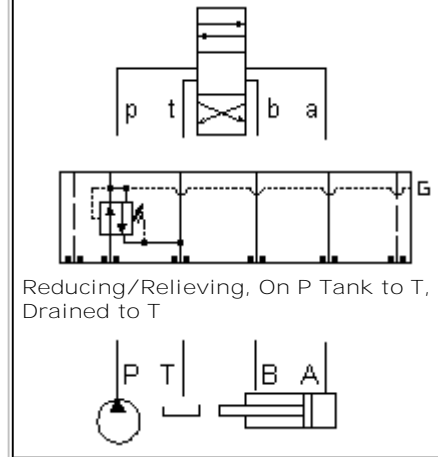
Products : Manifolds : Sandwich : Reducing/Relieving : ISO 08 : On P, tank to T, high capacity

HBO

Face : 7



Function



Cartridge extension measurement is to the centerline of the cartridge.

Aluminum Body Pressure Rating: **3000 psi (210 bar)**

Ductile Iron Body Pressure Rating: **5000 psi (350 bar)**

Port Headings and Sizes:

Gage Port (Plugged)  
1/4" BSPP

Gage Port (Plugged)  
1/4" NPTF

Technical Data

	U.S. Units	Metric Units
<b>Model Weight</b>	8.80 lb.	3.99 kg.
<b>Cavity</b>	T-19A	
<b>Body Features</b>	On P, port 3 to T	
<b>Body Type</b>	Sandwich	
<b>Interface</b>	ISO 08	
<b>Open Cavity Quantity</b>	1	
<b>Stack Height</b>	3.44 in.	87 mm

Option Selection:

Model Code	Description
HBO	Aluminum, Buna-N, U.S. Units
HBO/M	Aluminum, Buna-N, Metric
HBO/S	Ductile Iron, Buna-N, U.S. Units
HBO/T	Ductile Iron, Buna-N, Metric
HBO/V	Aluminum, Viton, U.S. Units
HBO/W	Ductile Iron, Viton, Metric
HBO/Y	Ductile Iron, Viton, U.S. Units
HBO/Z	Aluminum, Viton, Metric

---

Special Notes :

No Special Notes available for selected Model.

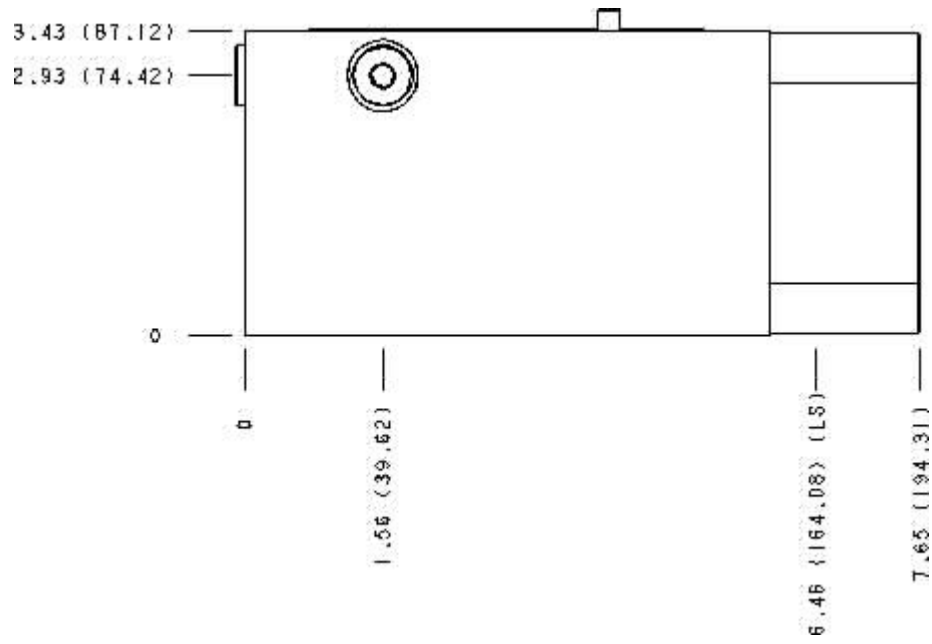


Functional Group:  
Products : Manifolds : Sandwich : Reducing/Relieving : ISO 08 : On P, tank to  
T, high capacity

Model:  
HBO

Face : 2

---



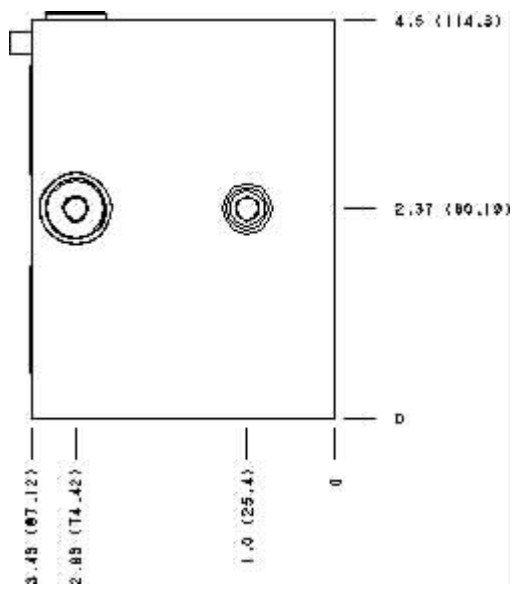
Cartridge extension measurement is to the centerline of the cartridge.



Functional Group:  
 Products : Manifolds : Sandwich : Reducing/Relieving : ISO 08 : On P, tank to T, high capacity

Model:  
 HBO

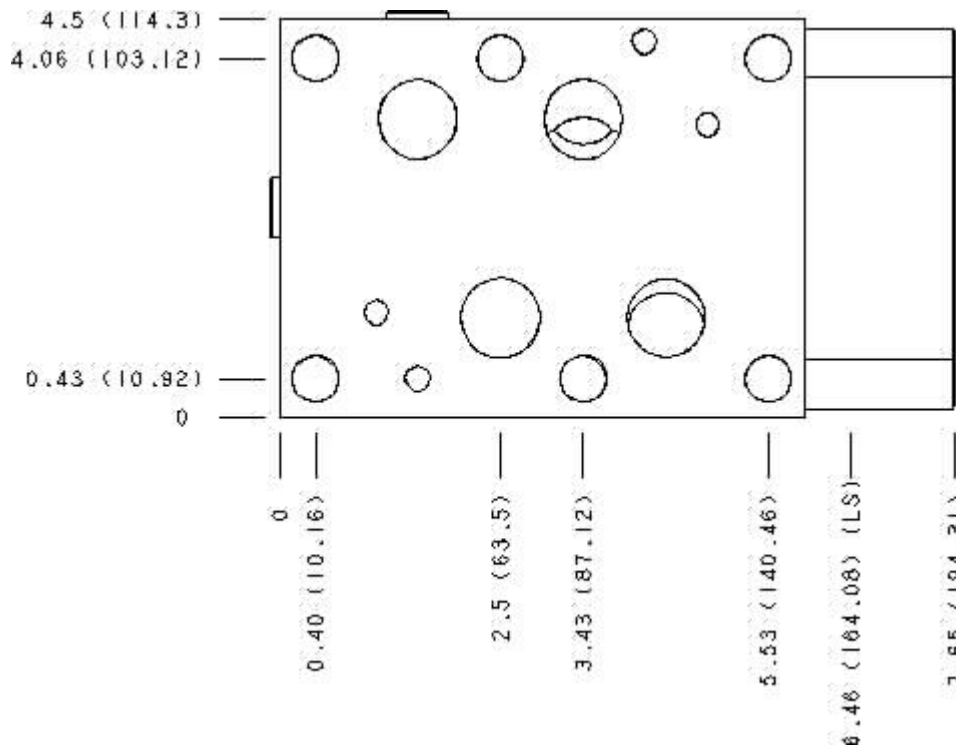
Face : 5



Cartridge extension measurement is to the centerline of the cartridge.



Face : 6



Cartridge extension measurement is to the centerline of the cartridge.



Face : 8



---

Copyright © 2007-2008 Sun Hydraulics Corporation.  
All rights reserved.

[Terms and Conditions](#) - [Statement of Privacy](#)